

Heavy-Duty Outdoor Stand-Alone Keypad

SK-3523-SDQ

This keypad features rugged construction with a heavy-duty stainless-steel faceplate and a coated steel backing to withstand the elements.

Features:

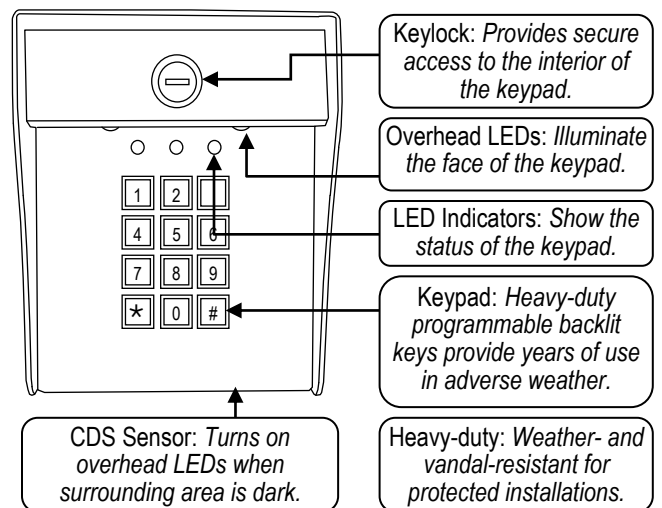
- Rugged construction: Heavy-duty stainless-steel faceplate with a coated steel backing
- Up to 210 user codes
- Code flexibility: Codes can be four or five digits long
- Dual voltage: 12~24 VAC/VDC operation
- Two Form C relays rated 12A@14VDC
- Door sensing input allows for anti-tailgating operation
- Overhead LEDs and programmable backlit keys for easy use in the dark
- Each relay output can be set from 1~99 seconds or toggle
- Wrong code lockout: After three wrong codes are entered, the keypad will go into lockdown for 55 seconds
- Tamper switch: N.C. dry contact, 3A@125/250 VAC
- Egress / pushbutton input

Specifications:

Operating voltage	12~24 VAC/VDC	
Current draw	Standby	20mA@12VDC / 10mA@24VDC
	Relay active	220mA@12VDC / 110mA@24VDC
Relay outputs	Output #1	12A@14VDC / 7A@120VAC
	Output #2	12A@14VDC / 7A@120VAC
Tamper switch	3A@125/250 VAC	
Egress (P.B.) input	N.O. Ground	
Reed input	N.C. Ground	
Operating temperature	-4°~158° F (-20°~70° C)	
Dimensions	6 ⁹ / ₁₆ "x5 ¹ / ₁₆ "x4 ³ / ₈ " (167x128x112 mm)	
Weight	4-lb (1.8kg)	



Overview:



SECO-LARM®

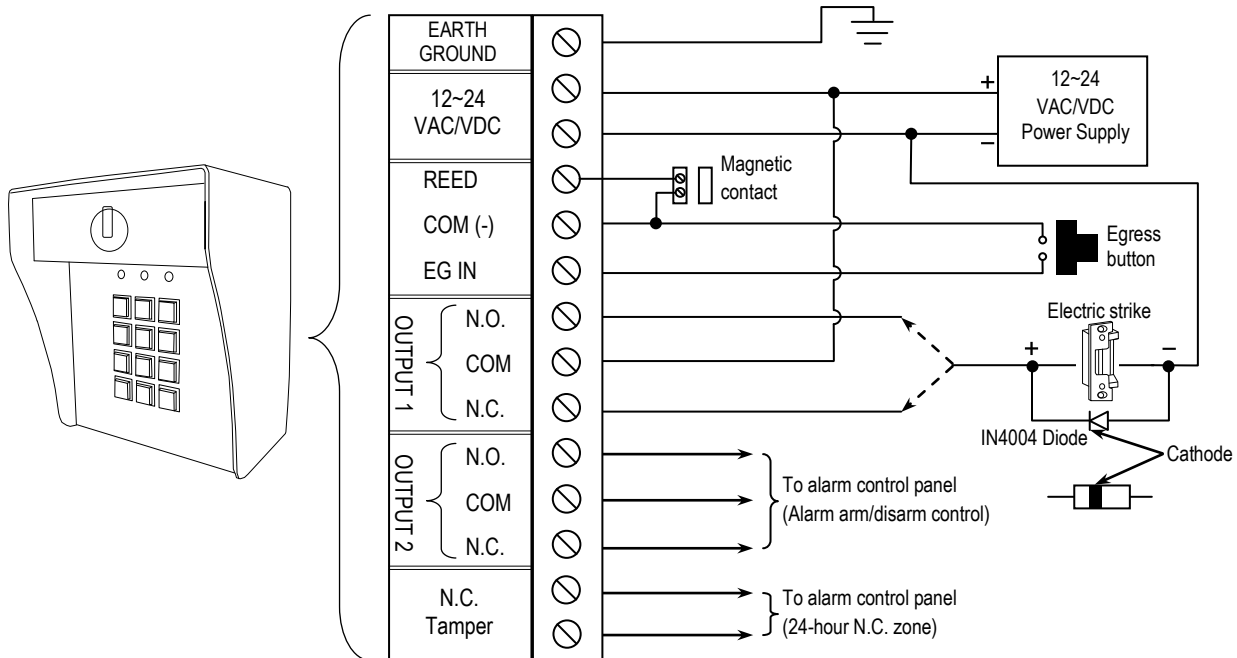
16842 Millikan Ave, Irvine, CA 92606
Tel: 949-261-2999 / 800-662-0800 • Fax: 949-261-7326
sales@seco-larm.com • www.seco-larm.com



Copyright 2013 © SECO-LARM U.S.A, Inc. All rights reserved.
The SECO-LARM policy is one of continual development. For that reason, SECO-LARM reserves the right to change prices and specifications without notice. SECO-LARM is not responsible for misprints.

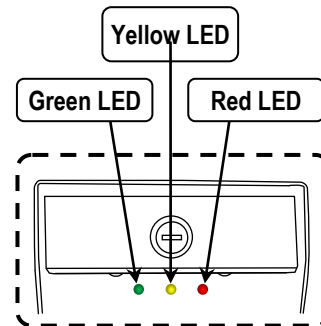
SECO-LARM® ENFORCER® CRIMEBUSTER® CBA SLI®

Sample Wiring:



Status LEDs:

LED	Indicator	Keypad Status
Green	Solid	Output #1 active/occupied
	Flashing	Waiting to program
		Output #1 user code
		Door open
Yellow	Solid	Master code programmed
	Slow flash	Standby
	Fast flash	Programming mode
Red	Solid	Output #2 active/occupied
	Flashing	Waiting to program
		Output #2 user code



Also Available from SECO-LARM:

SK-1123-SQ

Outdoor Stand-Alone Keypad

- Weatherproof
- 110 Users
- 2 Outputs
- Surface mount



SK-1123-FQ

Outdoor Stand-Alone Keypad

- Weatherproof
- 110 Users
- 2 Outputs
- Flush mount



SK-2323-SDQ

Mullion-Style Keypad

- Weatherproof
- 1,010 Users
- 2 Outputs
- Surface mount



SK-2323-SPAQ

Piezoelectric Mullion-Style Keypad

- Weatherproof
- 1,010 Users
- 2 Outputs
- Built-in prox reader



SK-1011-SQ

Indoor Stand-Alone Keypad

- Indoor use
- 100 Users
- 1 Output



SK-1311-SQ

Illuminated Indoor Keypad

- Backlit keys
- 120 users
- 2 Outputs



SK-1323-SDQ

Stand-Alone Keypad

- Indoor use
- 1,010 Users
- 2 Outputs



PR-112S-A

Stand-Alone Proximity Reader

- Weatherproof
- 100 Users
- 1 Output



SECO-LARM™

16842 Millikan Ave, Irvine, CA 92606

Tel: 949-261-2999 / 800-662-0800 • Fax: 949-261-7326

sales@seco-larm.com • www.seco-larm.com



Copyright 2013 © SECO-LARM U.S.A, Inc. All rights reserved.

The SECO-LARM policy is one of continual development. For that reason, SECO-LARM reserves the right to change prices and specifications without notice. SECO-LARM is not responsible for misprints.

SECO-LARM ENFORCER® CRIMEBUSTER® CBA SLI®

Pi-SK-3523-SDQ.docx