



**SILENT
KNIGHT**

by Honeywell

Model 5495 Distributed Power Module

**In an emergency,
you need maximum power**

The 5495 Distributed Power Module by Silent Knight is the most powerful and cost-effective power supply available today. It delivers 6 amps of notification appliance circuit power and built-in synchronization for appliances from System Sensor®, Gentex®, AMSECO®, Wheelock and Faraday — what you need to drive power-hungry components like ADA notification appliances. The 5495's advanced microprocessor design is years ahead of the competition. Its switch mode power supply design is up to 50% more efficient than competitive linear mode power supplies. And, ADA retrofits are easier and less expensive with the 5495 because it integrates into current systems without the costly investment in new components.

For the most sophisticated and cost-effective notification power supply available, you need the 5495. Call Silent Knight today for more information at 1-800-328-0103.

Model 5495 Distributed Power Module

The 5495 is a 6 amp notification power expander that provides its own AC power connection, battery charging circuit, and backup battery for use with fire and security controls such as the Silent Knight Model 5208 Fire Control /Communicator. The 5495 is the cost-effective solution for powering notification appliances required by the Americans with Disabilities Act (ADA). The 5495 has built-in ANSI cadence pattern, which can upgrade older control panels that lack cadence capability.

Features

- UL Listed for 6 amps of notification power
- Power supply's advanced switch mode design reduces damaging heat and manages power up to 50% more efficiently than other systems
- Dip switches allow for easy reconfiguration
- 24 VDC filtered output voltage
- Four power-limited notification outputs; 2 Class A or 4 Class B, or 1 Class A and 2 Class B
- Additional continuous auxiliary output
- 3 amps per output circuit
- 2 inputs; 2 Class B or 2 Class A
- Ground fault detector/indicator
- Independent trouble relay
- AC loss delay option shuts off power

to non-essential high-current accessories like magnetic door holders

- Built-in synchronization for appliances from System Sensor®, Gentex®, AMSECO®, Wheelock and Faraday
- Stand alone operation
- Lightweight design adds to ease of installation and reduces shipping costs
- Operates with most polarized, UL Listed notification devices
- ANSI Cadence pattern output capability built-in

Connection to Local Fire Control

The 5495 may be connected to a local fire control which utilizes Class A or Class B type notification circuits operating between 9 and 32 VDC. The control panel's notification circuit is connected to one of the inputs on the 5495. The control panel's notification circuit end-of-line resistor is also connected across two terminals on the 5495, which provides supervision between the 5495 and the fire control panel. Polarized audible and/or visual notification devices are then connected to the 5495 signal circuits using the 4.7kΩ end-of-line resistors provided. Since the 5495 draws very little power from the control, it is possible to connect one 5495 to each notification circuit on the control panel and still provide full supervision of the notification circuits all the way back to the control panel.



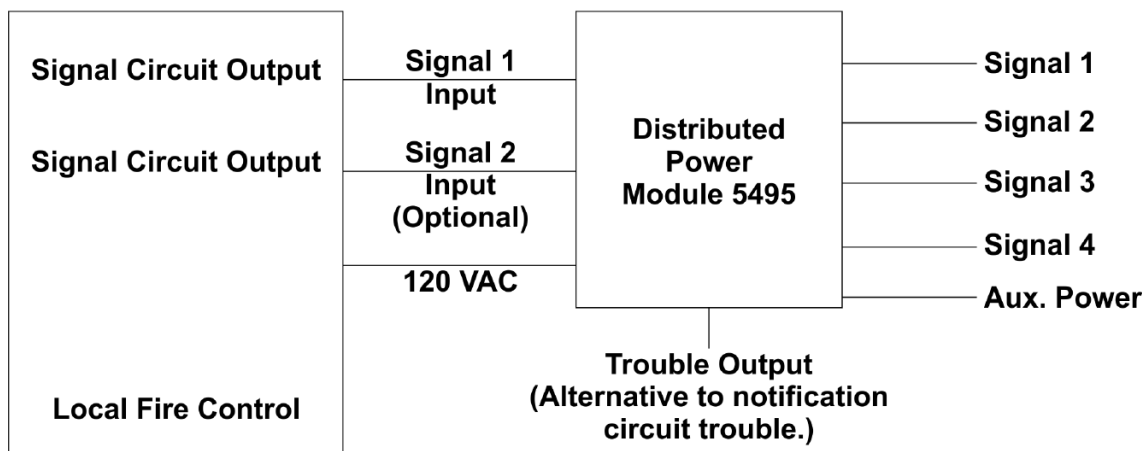
**Model 5495
Distributed Power Module**

Approvals

- UL Listed
- MEA 429-92-E Vol XII
- CSFM 7300-0559:123
- NFPA 72
- OSHPD (CA) OSP-0065-10 (see accessories)

Model 5495 Distributed Power Module

Model 5495 Block Diagram



Supervision

The 5495 supervises a variety of functions including:

- Low AC power
- Low battery condition
- Earth ground fault
- Auxiliary output power limit condition
- EOL supervision trouble or power limited condition at an output

When a trouble condition occurs, the 5495 creates a trouble condition on the host control signal circuits to which it is connected. The 5495 still maintains the ability to be activated by the host control. In addition, the 5495 provides a Form C trouble relay output as an alternative to using the notification circuit trouble.

Electrical Specification

AC input: 120 VAC at 2 amps
Output: 24 VDC at 6 amps

Current:

Standby 75 mA
Alarm 205 mA

Auxiliary power circuit: 1

Notification circuits: 4

Output configuration: 2 Class A (Style Z)
4 Class B (Style Y)
(1 Class A & 2 Class B)

Amps per output circuit: 3.0 (6.0 amps total)

Notification circuit output: 20.4 to 27.3 VDC @ 3.0 amps each, 4.7 kΩ EOL resistor required on each Class B circuit

No. of inputs 2

Input configuration: 2 Class B or 2 Class A

Input

voltage range: 9 - 32 VDC

Battery charging capacity: 35.0 AH

Ambient temp.: 32° to 120° F (0° to 49° C)

Mechanical

Dimensions: 12.25" W x 16" H x 3" D (30.88 cm W x 40.64 cm H x 7.62 D cm)

Indicator Lights

AC power on : Green
Battery trouble: Yellow
Ground fault: Yellow
Aux trouble: Yellow
Output troubles (1-4): Yellow

Ordering Information

5495 Distributed Power Module

Accessories:

SK-SCK Seismic Compliance Kit



This document is not intended to be used for installation purposes. We try to keep our product information up-to-date and accurate. We cannot cover all specific applications or anticipate all requirements. All specifications are subject to change without notice. For more information, contact Silent Knight 12 Clintonville Road, Northford, CT 06472-7161 Phone: (800) 328-0103, Fax: (203) 484-7118. For Technical Support, please call 800-446-6444. www.silentknight.com

MADE IN AMERICA

FORM# 350395 Rev F
© 2013 Honeywell International Inc.