



- UL and cUL listed
- 24 VDC with 95, 110, 135, 150, 177 or 185 cd settings
- 6 distinct candela settings
- Candela selection view window
- 33 sound output settings
- Horn or chime sound output
- Pre-wire back plate
- Universal back plate mounting (single gang, double gang, octagon, or 4" square)
- Outdoor installations require a weatherproof backbox
- Single screw mounting
- Wall mount
- Indoor or outdoor (requires weatherproof back box)
- Low current draw

The SH-24H-WP Select-A-Strobe/Horn™ Series provides a wide range of candela light output options in a single device. The candela settings include a 24 volt DC operation for the 95, 110, 135, 150, 177 or 185 setting. The candela setting is displayed through the front window and is selectable using a drum wheel.

The horn settings include Temporal, Non-Temporal, March Time and a Chime sound. The horn also has Low, Mid and High volume settings for each pattern and tone. The tones include 2400 Hz, Electro-Mechanical, Broadband and Chime.

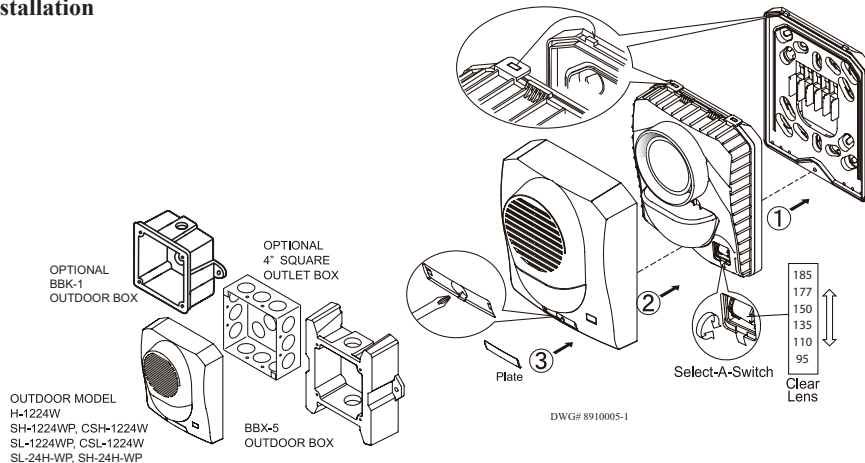
The voltage input can be either regulated DC or full wave rectified (FWR) 24 volt operation with an operating range from 16 to 33 VDC. The strobes can be synchronized using a control panel with the Potter

(Amseco) sync protocol or a SMD10-3A sync module.

The SH-24H-WP utilizes a universal mounting plate that will mount on a single gang, double gang, octagon and 4" square electrical boxes. The back plate allows the installer to mount the plate and connect the wire connections. The strobe attaches in a hinge fashion from the top and is secured by a single mounting screw. The strobe completely covers the mounting back plate, therefore it can be mounted before other trades work is completed and not affect the final look.

The Potter SH-24H-WP is listed for both outdoor and indoor installations. For outdoor installations the device must be mounted on a matching BBX-5 back box or a BBK-1 bell back box.

Installation



CAUTION

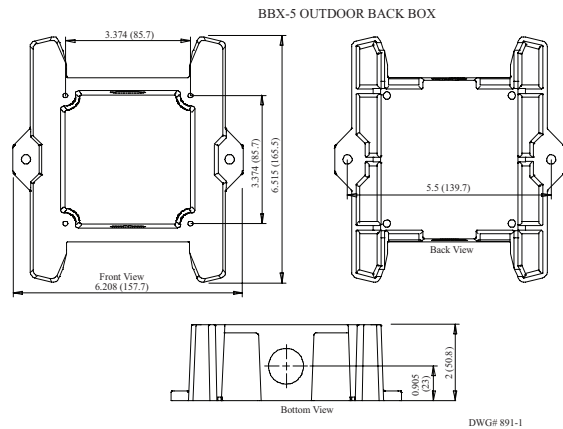
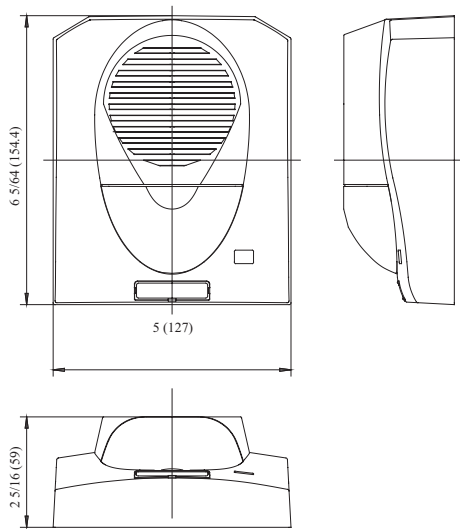
A jumper plug is provided to test for correct wiring in the supervisory mode only. Do not pass alarm current through the jumper.

Note: Installation must comply in accordance with applicable standards.

Ordering Information

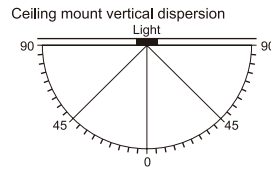
Stock Number	Model Number	Description	Color
4710012	SH-24H-WP-R	Selectable strobe/horn/chime	Red
4710013	SH-24H-WP-W	Selectable strobe/horn/chime	White
4270048	BBX-5R	Weatherproof backbox	Red
4270049	BBX-5W	Weatherproof backbox	White
1500001	BBK-1	Bell backbox	Red

Dimensions: inches (mm)

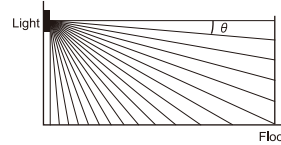


Light output in percentage when measured from the following directions per UL 1971.

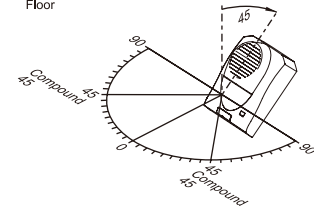
Wall and ceiling mount horizontal dispersion



Wall mount vertical dispersion



Degrees	% of Rating	
	Horizontal	Vertic
0	100	100
5-25	90	90
30	75	90
35	75	65
40	75	46
45	75	34
50	55	27
55	45	22
60	40	18
65	35	16
70	35	15
75	30	13
80	30	12
85-90	25	12



WARNING

High voltage may be present inside the light assembly even though power is not connected. If access to teh coponent board is required (removal or replacement), the capacitor must be discharged by touching a wire to both ends of the flashtube.

DO NOT attempt to touch or move the assembly until the capacitor has been discharged.

Specifications

Strobe Current

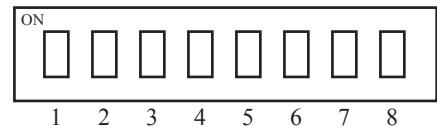
Light Output	Max. RMS Operating Current (mA RMS)	
	Reg. 24 VDC	Reg. 24 FWR
95cd	151	201
110cd	161	215
135cd	178	235
150cd	190	248
177cd	218	283
185cd	226	291

Note: To determine total current draw, add desired strobe setting and horn selection. Refer to the installation instructions for further information.

Horn Dipswitch

Pattern

- 1 ON - Non-temporal
- 1 OFF - Temporal
- Both 2 = OFF
- 1 and 2 ON = March Time



Tone

- 3 and 4 ON = 2400Hz
- 3 ON and 4 OFF = Electromechanical
- 3 and 4 OFF = Chime
- 3 OFF and 4 ON = Broadband

Volume

- 5 and 6 ON = High
- 5 ON and 6 OFF = Mid
- 5 and 6 OFF = Low
- 7 and 8 ON = Horn/strobe on 2 wires
- 7 and 8 OFF = Horn and strobe on 4 wires

Non-Temporal Horn Current

Pattern	Volume	Max. RMS Current (mA RMS Current)		dBA Reverberant Ratings per UL464 (dBA @ 10 ft.)	dBA Anechoic Ratings per CAN/ULC S525 (dBA @ 10 ft.)
		Reg 24 VDC	Reg 24 FWR	Reg 24 VDC	Reg 24 VDC
2400 Hz	High	87	236	87	100
	Mid	28	140	82	96
	Low	18	77	80	92
Electro-Mechanical	High	81	231	87	100
	Mid	26	127	84	97
	Low	16	68	80	93
Broadband	High	78	261	86	102
	Mid	26	112	82	98
	Low	16	69	79	95
Chime	High	21	42	70	86
	Mid	8	20	62	80
	Low	7	18	57	75

Temporal Horn Current

Pattern	Volume	Max. RMS Current (mA RMS Current)		dBA Reverberant Ratings per UL464 (dBA @ 10 ft.)	dBA Anechoic Ratings per CAN/ULC S525 (dBA @ 10 ft.)
		Reg 24 VDC	Reg 24 FWR	Reg 24 VDC	Reg 24 VDC
2400 Hz	High	87	288	82	100
	Mid	30	181	79	96
	Low	18	79	75	92
Electro-Mechanical	High	80	275	82	101
	Mid	27	138	80	96
	Low	16	74	76	93
Broadband	High	80	289	82	102
	Mid	26	144	78	98
	Low	16	61	76	95
Chime	High	21	49	70	86
	Mid	9	21	61	79
	Low	8	15	55	76

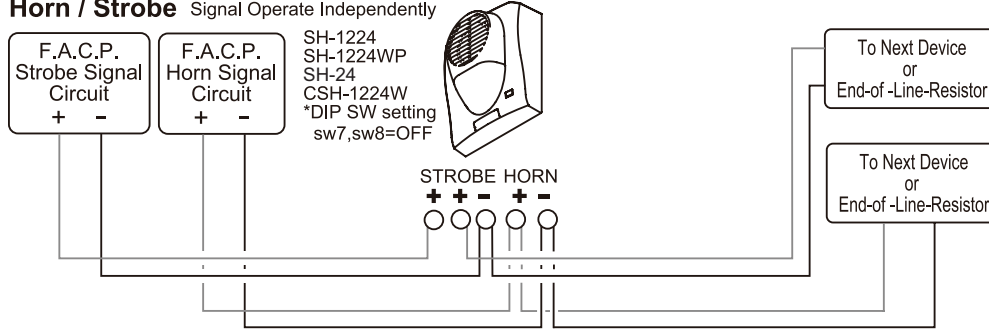
March Time Horn Current

Pattern	Volume	Max. RMS Current (mA RMS Current)		dBA Reverberant Ratings per UL464 (dBA @ 10 ft.)	dBA Anechoic Ratings per CAN/ULC S525 (dBA @ 10 ft.)
		Reg 24 VDC	Reg 24 FWR	Reg 24 VDC	Reg 24 VDC
2400 Hz	High	92	274	84	100
	Mid	31	158	81	96
	Low	19	72	77	92
Electro-Mechanical	High	86	274	83	100
	Mid	27	147	81	96
	Low	19	80	77	93
Broadband	High	77	302	84	102
	Mid	28	135	80	98
	Low	16	62	77	95

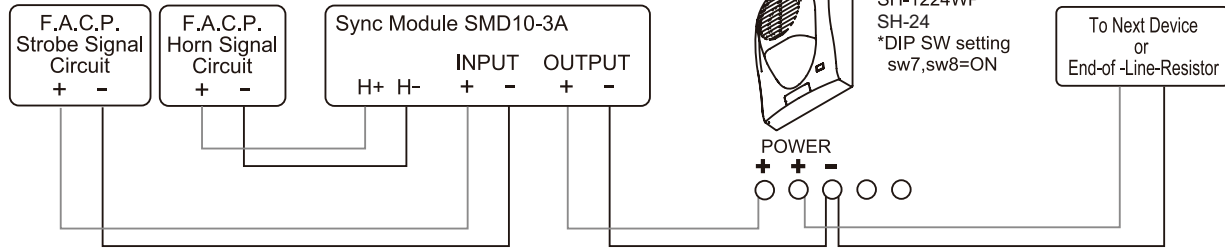
Wiring Diagram

Wiring Observe Polarity Use both terminals (or Lead) for connection. Break wire run to provide electrical supervision.

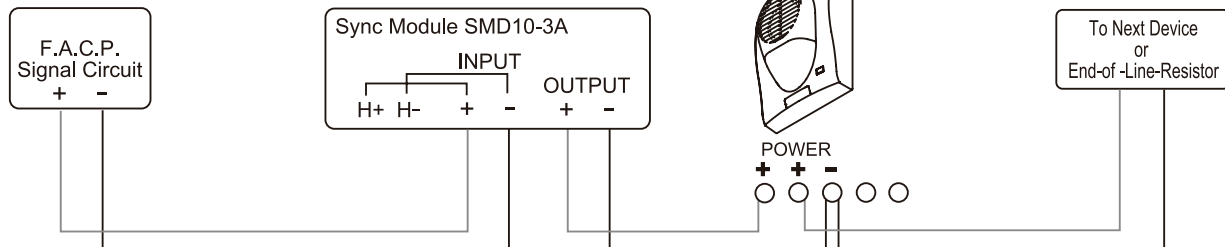
Horn / Strobe Signal Operate Independently



Horn / Strobe Wiring Diagram for Audible Strobe Class "B" Circuit with Audible Silence Feature. (SH-1224, SH1224W)



Horn or Strobe Wiring Diagram for Audible Strobe Class "B" Circuit without Audible Silence Feature.



Refer to the SMD 10-3A Sync Module instruction manual for Class "A" wiring or other application diagrams.

DWG# 8910004-1

Engineering Specifications

The installer shall provide and install the Potter SH-24H-WP Select-A-Strobe/Horn™. The strobe shall have six (6) candela settings. The candela settings shall be selectable using a drum roller and shall display the candela setting on the front of the device. The horn shall have 33 selectable settings configurable by dip switches. The sounder shall be capable of ANSI Temporal Code 3, March Time and produce a chime output. The horn shall have three distinct volume levels. The strobe/horn shall operate at 24 VDC regulated or full wave rectified. The strobe/horn shall have an operating range between 16 and 33 VDC. the strobes an by synchronized using a control panel with the Potter sync protocol or the SMD10-3A sync module. The strobe

shall utilize a mounting plate that allows the installer to pre-wire the mounting plate. The mounting plate shall be universal and mount on a single gang, double gang, octagon or 4 inch square box. The Potter SH-24H-WP is listed for both outdoor and indoor applications. For outdoor installations, the device must be mounted on a matching BBX-5 or BBK-1 outdoor bell back box. The mounting plate shall be completely covered by the strobe and shall be secured by a single screw. The strobe shall be UL listed to standard 1638, General Signaling, and standard 1971, Signaling Devices for the Hearing Impaired. In addition, the strobes shall be cUL listed to CAN-ULC S526. The horn shall be UL listed to standard 464, Audible Signaling Devices.