



Dual Strobe Expander Plates for Emergency Communications

The new SpectrAlert® Advance Dual Strobe and Dual Strobe with Speaker Expander Plates lower costs and improve aesthetics by performing the functions of 2-3 devices for emergency communications applications.



SEP-SPSW Speaker Strobe
Expander Plate
(Speaker Strobe Devices Sold Separately)

SEP-SPSW-P Speaker Strobe
Expander Plate, Plain



Features

- UL 1971-Listed clear lens strobe
- UL 1638-Listed amber lens strobe
- Meets DOD specification requirements
- Field-selectable candela settings:
Standard: 15, 15/75, 30, 75, 95, 110, 115
(please refer to Equivalent Candela Rating for UL 1971 Table)
- Automatic selection of 12- or 24-volt operation at
15 and 15/75 candela
- Compatible with System Sensor synchronization protocol
- Optional tamper-resistant Torx head screw included
- Designed to be used in 12 or 24 volt, DC or FWR systems
- Rated from 32°F to 120°F
- SEP-SPSW (-P) is compatible with: SPSW, SPSWH, SPSW-P,
SPSWV, SPSWV-P, SPSWH-P
- SEP-SW (-P) is compatible with: SW, SWH, SW-P, SWH-P
- Listed for ceiling or wall mounting
- SEP-SPSW-P and SEP-SW-P are compatible with colored lens kits:
LENS-B, LENS-R, LENS-G

Cut costs, speed installation, and improve aesthetics on emergency communications applications that require fire and emergency warnings by combining the functions of two to three devices on a single mounting plate and back box. SpectrAlert Advance Dual Strobe and Dual Strobe with Speaker Expander Plates provide dual strobe and speaker strobe functionality that's easy for a single person to wire and install. Simply mount the plate to a junction box and connect the field wiring to the terminals. To complete the installation, hinge and attach the strobe or speaker strobe device with a single captured mounting screw.

Dual Strobe and Dual Strobe with Speaker Expander Plates are designed to be used in 12 or 24 volt, DC or FWR (full wave rectified) systems. Amber lens strobes are UL 1638-Listed (Visual Signaling Appliances) for Private Mode General Utility Signaling. Clear lens strobes are UL 1971- Listed (Signaling Devices for Hearing Impaired) for Public Mode Signaling. Clear lens strobes are compatible with colored lenses for UL 1638 Private Mode General Utility Signaling. All SpectrAlert Advance products are suitable for use in synchronized systems. The System Sensor MDL3 module may be used to provide synchronization.

Agency Listings



S4048



7300-1653:0221



3043707



10-08-E

Dual Strobe and Dual Strobe with Speaker Expander Plate Specifications

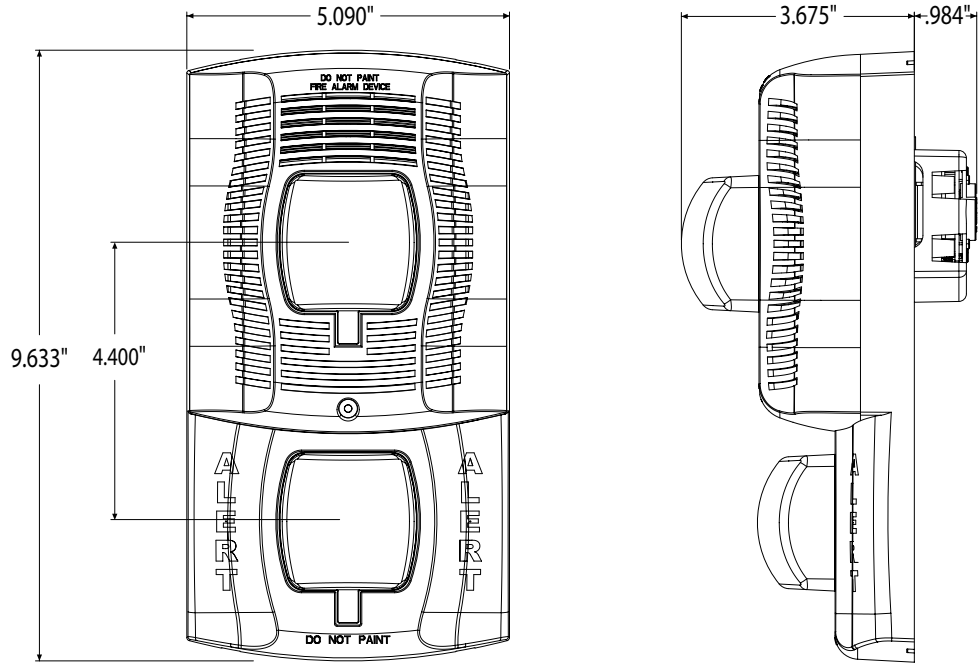
| Electrical/Operating Specifications | |
|-------------------------------------------------------------------------|-------------------------------------------------------------|
| Operating Temperature | 32°F to 120°F (0°C to 49°C) |
| Humidity Range | 10 to 93% non-condensing |
| Strobe Flash Rate | 1 flash per second |
| Nominal Voltage (strobes) | Regulated 12VDC/FWR or regulated 24DC/FWR |
| Operating Voltage Range (includes fire alarm panels with built in sync) | 8 to 17.5V (12V nominal) or 16 to 33V (24V nominal) |
| Operating Voltage with MDL3 Sync Module | 8.5 to 17.5V (12V nominal) or 16.5 to 33V (24V nominal) |
| Input terminal wire gauge | 12 to 18 AWG |
| Dimensions (Expander Plate Only) | |
| SEP-SW (-P) | 4 in x 4 in x 1.5 in single gang, double gang, 4 in octagon |
| SEP-SPSW (-P) | 4 in x 4 in x 2.125 in or deeper |
| Dimensions (Expander Plate with Strobe or Speaker Strobe Device) | |
| SEP-SW (-P) & SEP-SPSW (-P) | L 9.6 in (245 mm) W 5.1 in (130 mm) D 3.7 in (94 mm) |
| SPSEP-BBSW & SEP-BBSW | L 10.1 in (257 mm) W 5.6 in (142 mm) D 2.5 in (64 mm) |
| Dimensions (Back Box Skirts) | |
| SPSEP-BBSW & SEP-BBSW | 4 in x 4 in x 2.125 in |

UL Current Draw Data

| UL Max. Strobe Current Draw (mA) for SEP-SW (-P), SEP-SPSW (-P) | | | | | |
|-----------------------------------------------------------------|---------|-----------------|-----|----------------|-----|
| | Candela | 8 to 17.5 Volts | | 16 to 33 Volts | |
| | | DC | FWR | DC | FWR |
| Standard | 15 | 123 | 128 | 66 | 71 |
| Candela Range | 15/75 | 142 | 148 | 77 | 81 |
| | 30 | NA | NA | 94 | 96 |
| | 75 | NA | NA | 158 | 153 |
| | 95 | NA | NA | 181 | 176 |
| | 110 | NA | NA | 202 | 195 |
| | 115 | NA | NA | 210 | 205 |

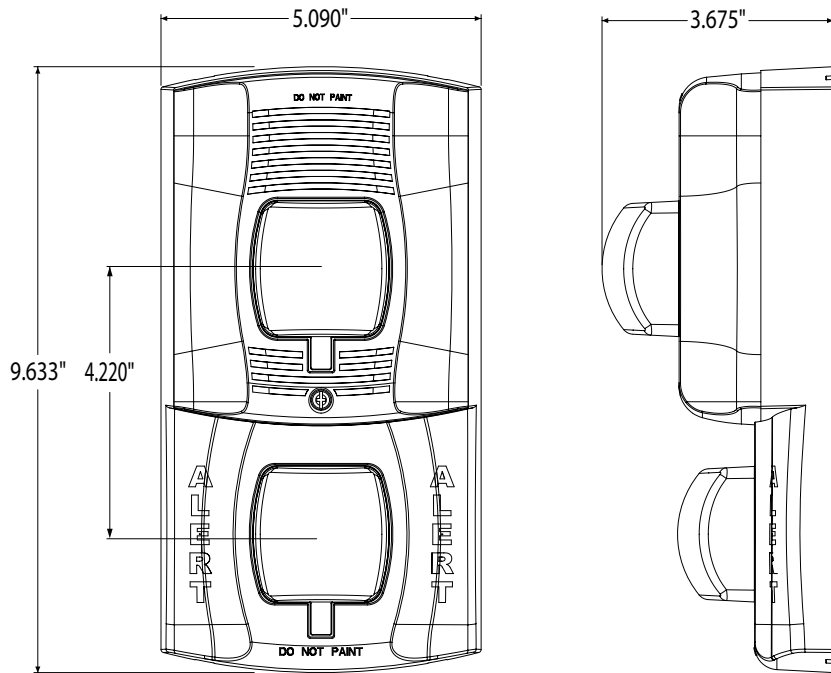
Dimensions

SEP-SPSW (-P) – Speaker Strobe Expander Plate



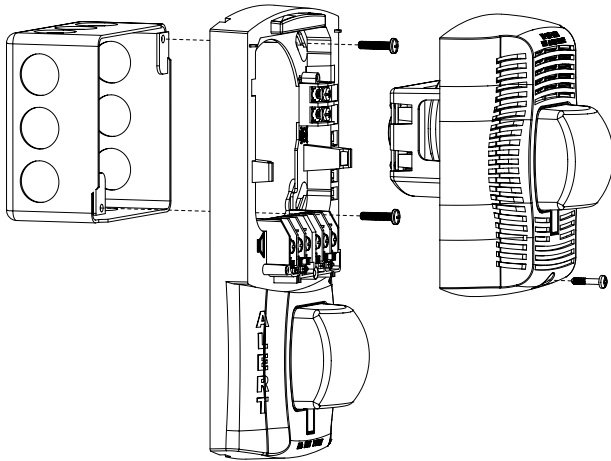
Note: SEP-SPSW shown

SEP-SW (-P) – Strobe Expander Plate

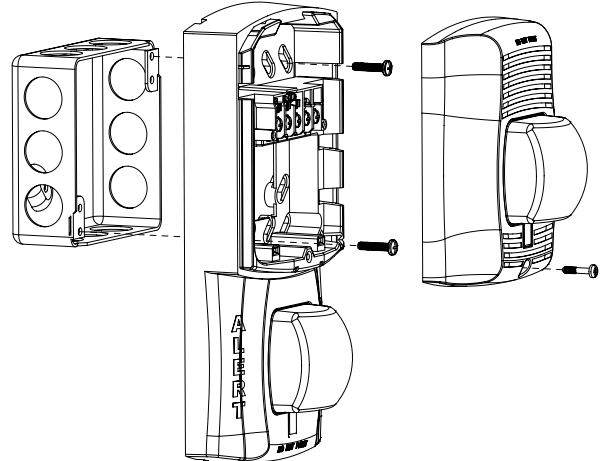


Note: SEP-SPSW shown

Flush Mounting

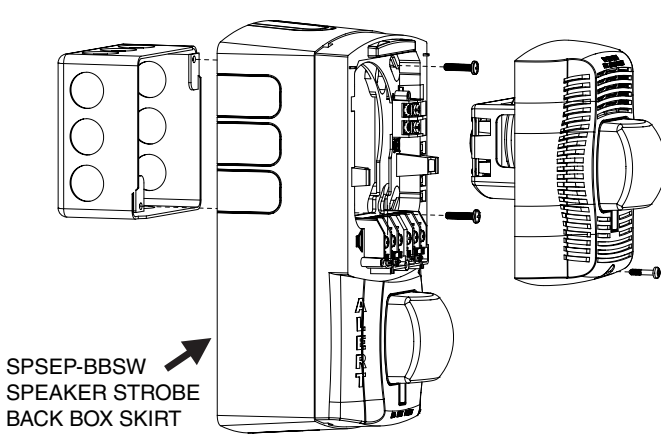


SEP-SPSW (-P) for flush-mount applications



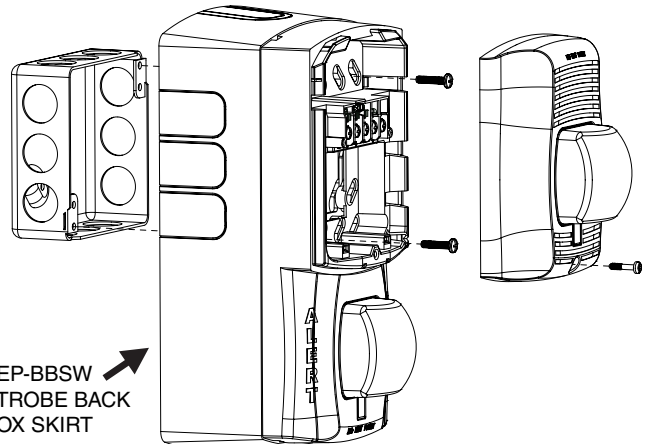
SEP-SW (-P) for flush-mount applications

Surface Mounting



SPSEP-BBSW
SPEAKER STROBE
BACK BOX SKIRT

SEP-SPSW (-P) for surface-mount applications



SEP-BBSW
STROBE BACK
BOX SKIRT

SEP-SW (-P) for surface-mount applications

Ordering Information

| Wall Mount | |
|------------|-----------------------------------------------------------------------------------------------------------------------------------|
| White | Description |
| SEP-SPSW | Speaker Strobe Expander Plate, Amber Lens, Standard Candela, White Compatible with SPSW, SPSWH, SPSW-P, SPSWV, SPSWV-P, SPSWH-P |
| SEP-SW | Strobe Expander Plate, Amber Lens, Standard Candela, White Compatible with SW, SWH, SW-P, SWH-P |
| SEP-SPSW-P | Speaker Strobe Expander Plate, Standard Candela, White, Plain Compatible with SPSW, SPSWH, SPSW-P, SPSWV, SPSWV-P, SPSWH-P |
| SEP-SW-P | Strobe Expander Plate, Standard Candela, White, Plain Compatible with SW, SWH, SW-P, SWH-P |
| SPSEP-BBSW | Speaker Strobe Expander Plate Back Box Skirt, White Compatible with SEP-SPSW, SEP-SPSW-P |
| SEP-BBSW | Strobe Expander Plate Back Box Skirt, White Compatible with SEP-SW, SEP-SW-P |



3825 Ohio Avenue • St. Charles, IL 60174
 Phone: 800-SENSOR2 • Fax: 630-377-6495
www.systemsensor.com

©2013 System Sensor.
 Product specifications subject to change without notice. Visit systemsensor.com
 for current product information, including the latest version of this data sheet.
 AVDS11702 • 04/13