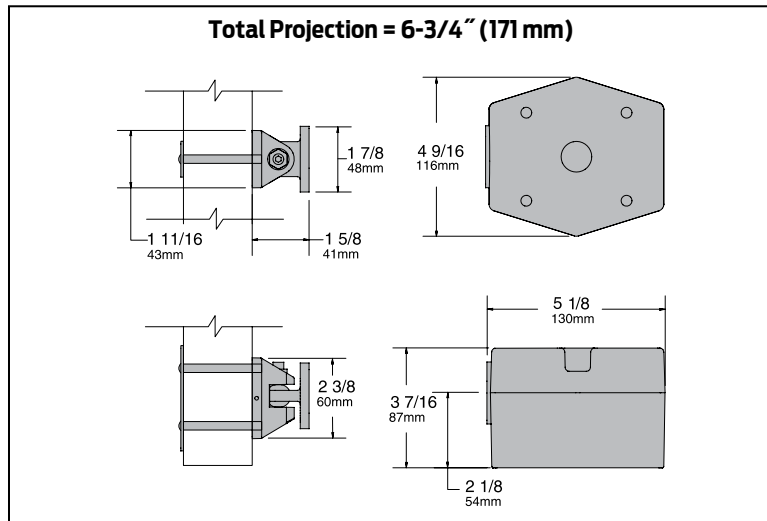
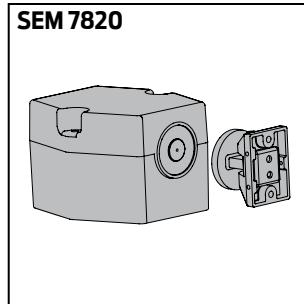


SEM SERIES

SEM 7820 MAGNET

Die Cast, Floor mounted.



The Sentronic® SEM 7800 Series are heavy duty, electrically controlled door holding magnets. Magnets are fail safe and hold until the current is interrupted. A manual door closer is used to control and close the door. A choice of floor, recessed wall, or surface mounted wall magnets are available.

All SEM Series magnets are UL listed for smoke barrier or labeled fire doors. Tested and certified under ANSI Standard A156.15.

SEM FEATURES

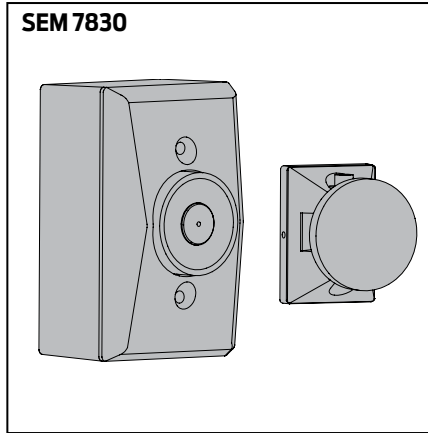
- Tri-voltage design with 35 lbs. of holding force.
- Now available armature extensions from LCN (see page 11).
- SEM 7820 magnets are shipped with die cast housing, cover, armature(s) and WMS screw pack.
- Available in Aluminum and Dark Bronze finishes only.
- UL listed for smoke barrier or labeled fire doors.

SEM SERIES

FEATURES

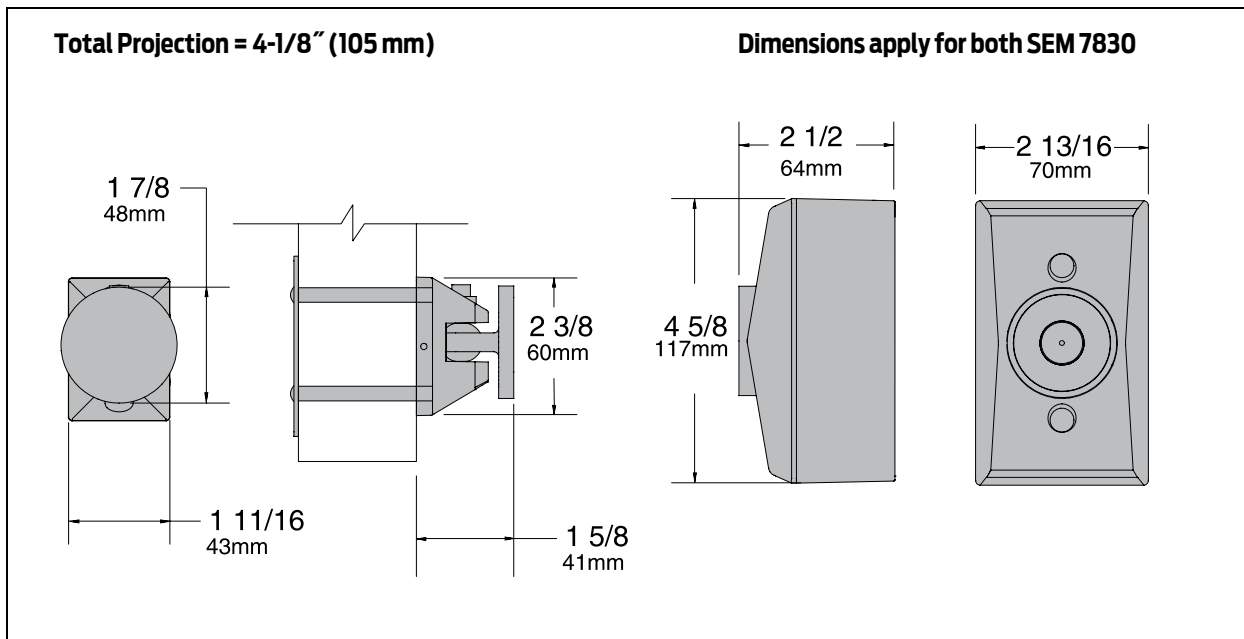
SEM 7830 MAGNET

Die cast housing,
Surface wall mounted.



SEM FEATURES

- Tri-voltage design with 35 lbs. of holding force.
- Now available armature extensions from LCN (see page 11).
- SEM 7830 magnets are shipped with die cast housing, cover, armature and WMS screw pack.
- SEM 7830 available in Aluminum and Dark Bronze finishes only.
- Suitable for use in pocket door installations.
- UL listed for smoke barrier or labeled fire doors.



SEM SERIES

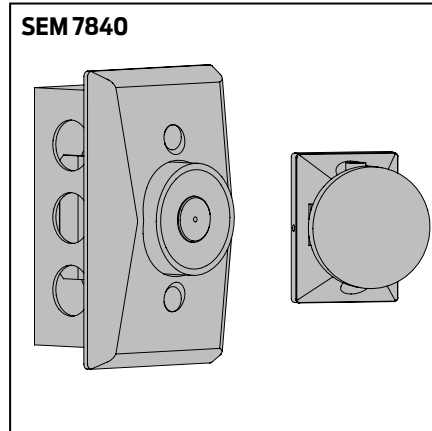
FEATURES

SEM 7840 MAGNET

Die cast housing, low profile recessed wall mount.

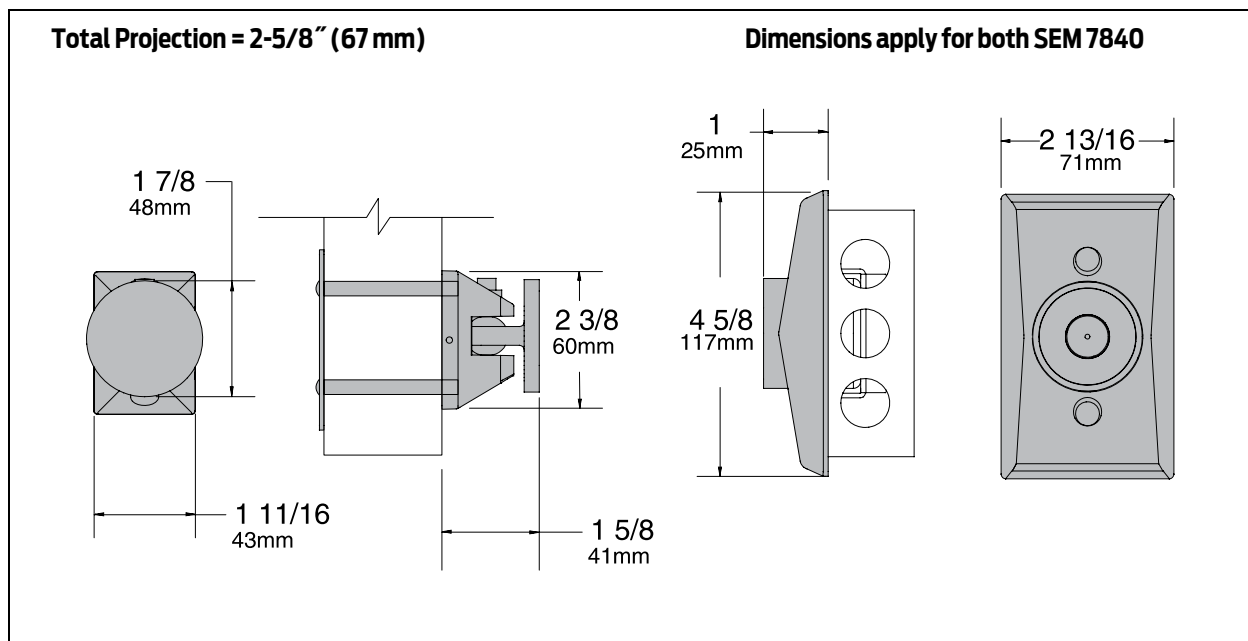
2" (51 mm) x 4" (102 mm) x 1-1/2" (38 mm).

NOTE: Outlet box not included.



SEM FEATURES

- Tri-voltage design with 35 lbs. of holding force.
- Now available armature extensions from LCN (see page 11).
- SEM 7840 magnets are shipped with die cast housing, cover, armature and WMS screw pack.
- SEM 7840 available in Aluminum and Dark Bronze finishes only.
- Suitable for use in pocket door installations.
- UL listed for smoke barrier or labeled fire doors.



SEM SERIES

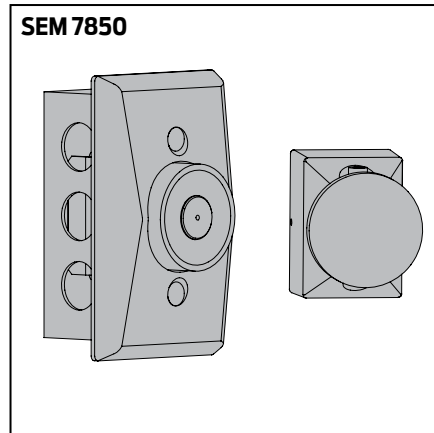
FEATURES

SEM 7850 MAGNET

Die cast housing, standard
profile recessed wall mount.

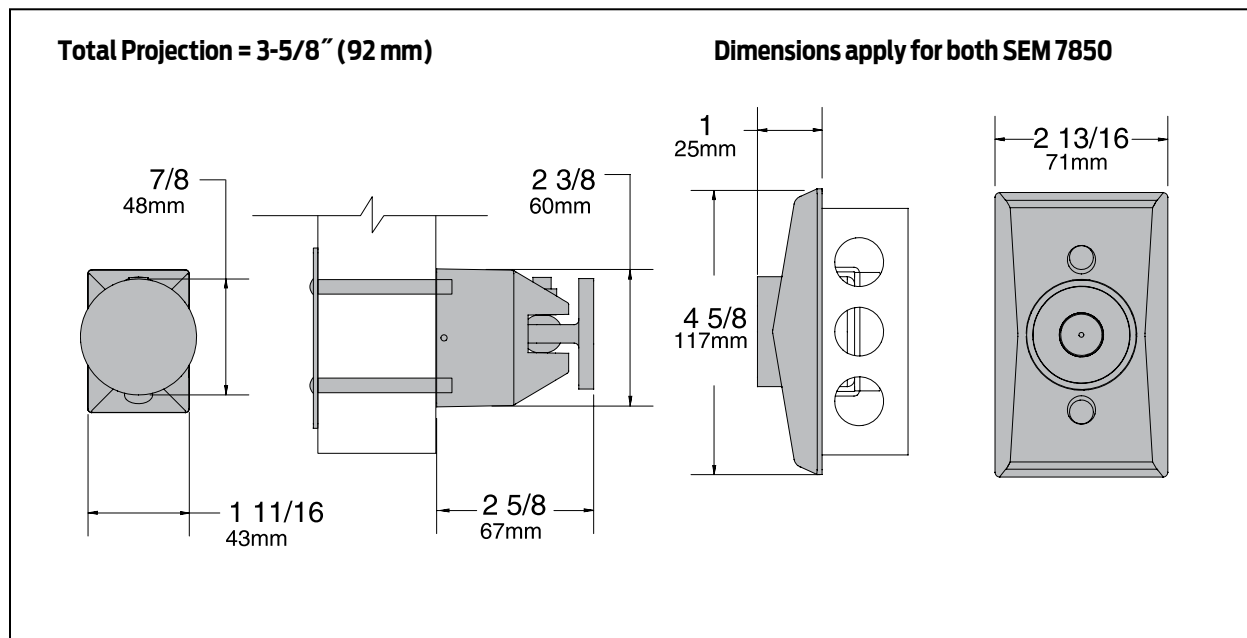
2" (51 mm) x 4" (102 mm)
x 1-1/2" (38 mm)

NOTE: Outlet box not included.

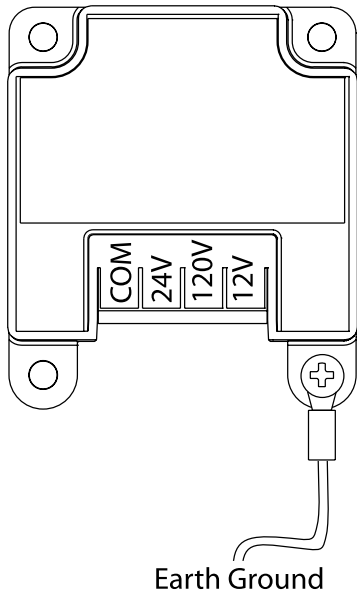


SEM FEATURES

- Tri-voltage design with 35 lbs. of holding force.
- Now available armature extensions from LCN (see page 11).
- SEM 7850 available in standard powder coat finishes.
- SEM 7850 available in Aluminum and Dark Bronze finishes only.
- Suitable for use in pocket door installations.
- UL listed for smoke barrier or labeled fire doors.



VOLTAGE INPUT



ELECTRICAL DATA

Holding Force: 35 lbs. @ Nominal Input Voltage.
 Maximum Current Draw: .020A @ 24VAC/DC, 120VAC
 .030A @ 12VDC

ELECTRICAL SCHEMATIC

Operation:
 Electromagnets are typically used with fire alarm systems. Doors are held open in the non-alarm condition. When the fire alarm panel enters the alarm condition, power to the electromagnets is removed, the doors close under door closer control, and function as a manual door. When the fire alarm panel returns to the non-alarm condition, power is reapplied to the electromagnets and the doors can be held open again.

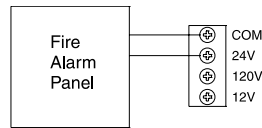


Fig. 1 24VAC/DC Wiring
 Polarity is unimportant

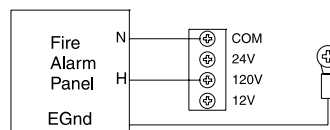


Fig. 2 120VAC Wiring

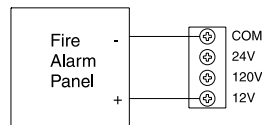


Fig. 3 12VDC Wiring
 Polarity as shown

SEM SERIES

MAGNETS

FLOOR MAGNET, SEM7820-516

Standard magnet coil.

WALL MAGNET, SEM7830-516, SEM7840-516, SEM7850-516, SEM1960-516, SEM1970-516, SEM1980-516

Standard magnet coil.

ARMATURES

DOOR ARMATURE, SEM7820-825, SEM7830-825, SEM7840-825

Standard, die cast low profile armature.

DOOR ARMATURE, SEM7850-828

Standard, die cast armature.

DOOR ARMATURE, SEM1960-825, SEM1970-825

Standard, plastic low profile armature.

DOOR ARMATURE, SEM1980-828

Standard, plastic armature.

COVER

STANDARD COVER, SEM7830-72, SEM7840-72, SEM7850-72

Standard, die cast cover.

STANDARD COVER, SEM1960-72, SEM1970-72, SEM1980-72

Standard, plastic cover.

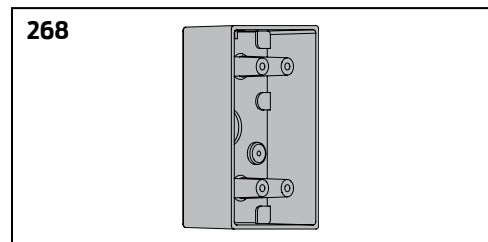
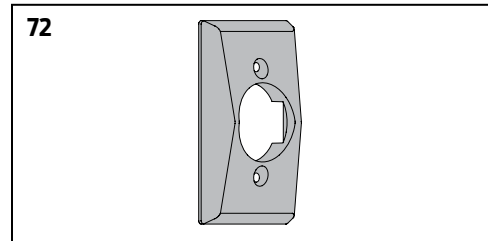
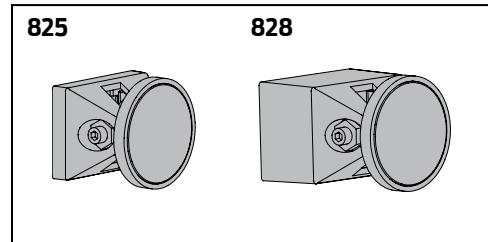
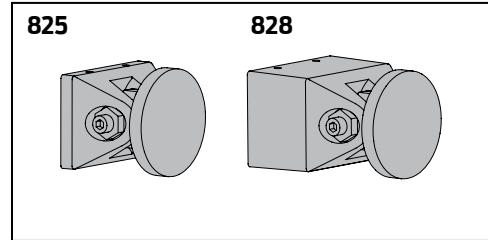
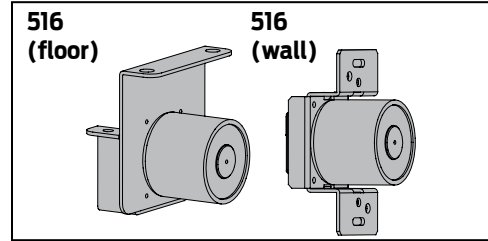
BOX

WALL BOX, SEM7830-268

Standard, die cast surface wall mount box.

WALL BOX, SEM1960-268

Standard, plastic surface wall mount box.



SEM SERIES

ACCESSORIES

EXTENSIONS

COUPLER ASSEMBLY KIT, SEM7810-514

Coupler assembly is required for each door needing extension(s). Kit includes coupler link and ball pivot (alone serves as a 1-1/2" extension).

Extension, SEM7810-E050

Standard metal 1/2" extension.

Extension, SEM7810-E075

Standard metal 3/4" extension.

Extension, SEM7810-E100

Standard metal 1" extension.

Extension, SEM7810-E200

Standard metal 2" extension.

Extension, SEM7810-E400

Standard metal 4" extension.

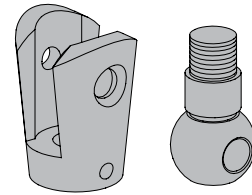
EXTENSION KIT, SEM7810-517

Extension kit includes:

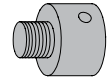
- 10.....7810SEM-E050
- 10.....7810SEM-E075
- 10.....7810SEM-E100
- 5.....7810SEM-E200
- 20.....7810SEM-514

NOTE: Using just the Coupler Assembly Kit (SEM7810-514) will create a 1-1/2" link. Extension Links are available in different lengths and can be combined together to achieve the desired length. Max. recommended length = 12"

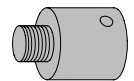
514



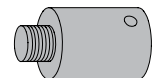
E050



E075



E100



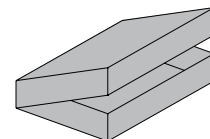
E200



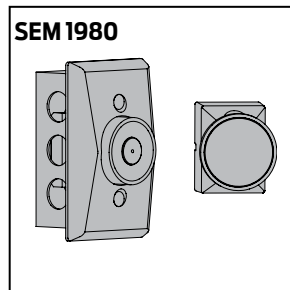
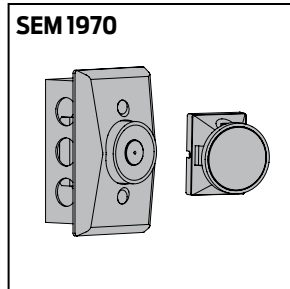
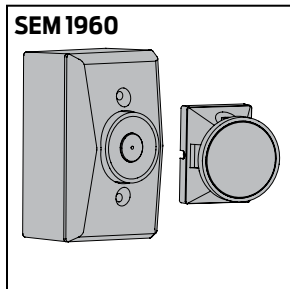
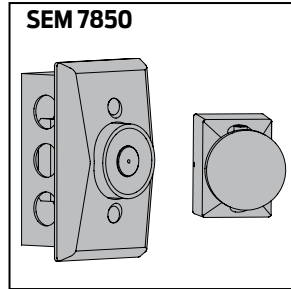
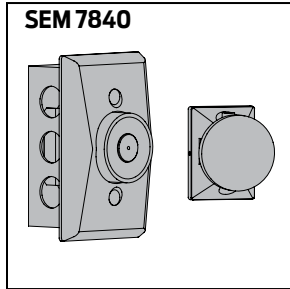
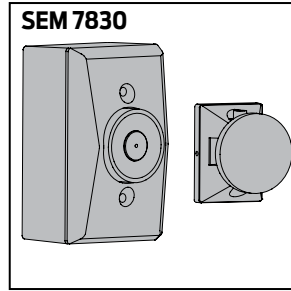
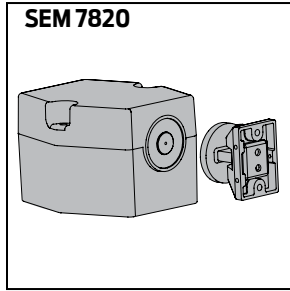
E400



517



SEM SERIES



HOW-TO-ORDER SEM 7800 SERIES MAGNETS

1. SELECT MAGNET SERIES

- SEM7820
- SEM7830
- SEM7840
- SEM7850

2. SPECIFY FINISH

- Standard Powder Coat _____
Aluminum, Dark Bronze.

HOW-TO-ORDER SEM 1900 SERIES MAGNETS

1. SELECT MAGNET SERIES

- SEM1960
- SEM1970
- SEM1980

2. SPECIFY FINISH

- Standard Finish _____
Aluminum or Dark Bronze.

HOW-TO-ORDER SEM 7810 EXTENSIONS

1. SELECT EXTENSIONS

- SEM7810-514 (qty.) _____
- SEM7810-E050 (qty.) _____
- SEM7810-E075 (qty.) _____
- SEM7810-E100 (qty.) _____
- SEM7810-E200 (qty.) _____
- SEM7810-E400 (qty.) _____
- SEM7810-517 (qty.) _____