

Twin Photobeam Detectors

- E-960-D90Q** Outdoor Range: Up to 90ft (30m)
- E-960-D190Q** Outdoor Range: Up to 190ft (60m)
- E-960-D290Q** Outdoor Range: Up to 290ft (90m)
- E-964-D390Q** Outdoor Range: Up to 390ft (120m)

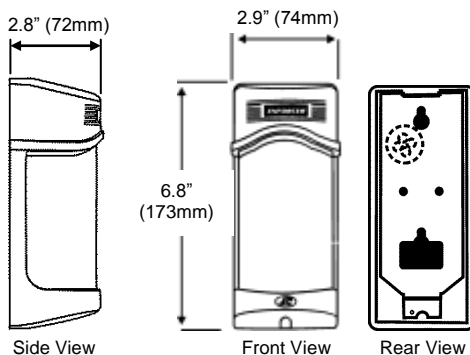


Features:

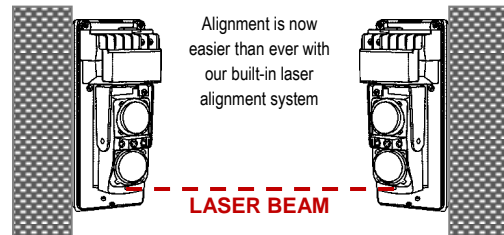
- ▶ Twin beams provide reliable perimeter security, minimizing false alarms from falling leaves, birds, etc.
- ▶ Lensed optics reinforce beam strength and provide excellent immunity to false alarms due to rain, snow, mist, etc.
- ▶ Weatherproof, sunlight-filtering case
- ▶ Non-polarized power inputs
- ▶ Anti-frost system
- ▶ Automatic input power filtering with special noise rejection circuitry
- ▶ NC/NO Alarm output
- ▶ NC Tamper circuit included
- ▶ "U" Brackets included for pole mounting
- ▶ Quick, easy installation with built-in laser beam alignment system

E-964-D390Q also features:

Dimensions:



Laser Beam Alignment:



Specifications:

Model	E-960-D90Q	E-960-D190Q	E-960-D290Q	E-964-D390Q
Max. Range (outdoor)	90' (30m)	190' (60m)	290' (90m)	390' (120m)
Max. Range (indoor)	190' (60m)	390' (120m)	590' (180m)	790' (240m)
Current	53mA	62mA	63mA	64mA
Voltage output	1-4V			
Power	10-30 VAC/VDC (non-polarized)			
Interrupt speed	50msec-700msec (variable)			
Alarm output	NO/NC relay, 1A@120VAC, minimum 1sec			
Tamper output	N.C. switch, 1A@120VAC			
LEDs	Red	ON indicates transmitter and receiver not aligned or beam is broken		
	Yellow	ON indicates weak receiver signal or beam is broken		
	Green	ON indicates unit connected to power		
Laser wavelength	650nm			
Laser output power	<5mW			
Alignment angle	Horizontal: ±90°, vertical: ±5°			
Operating temperature	-13°F (-25°C)~131°F (55°C)			
Weight	2.5-lb (1.1kg)			

SECO-LARM
16842 Millikan Avenue
Irvine, CA 92606

Tel: 1-949-261-2999
1-800-662-0800
Fax: 1-949-261-7326

Web: www.seco-larm.com
E-mail: info@seco-larm.com

CE
Copyright © 2011
SECO-LARM U.S.A. Inc.
All rights reserved