

Electric Deadbolt

SD-997B-GBQ *Fail-safe, stainless-steel bolt*

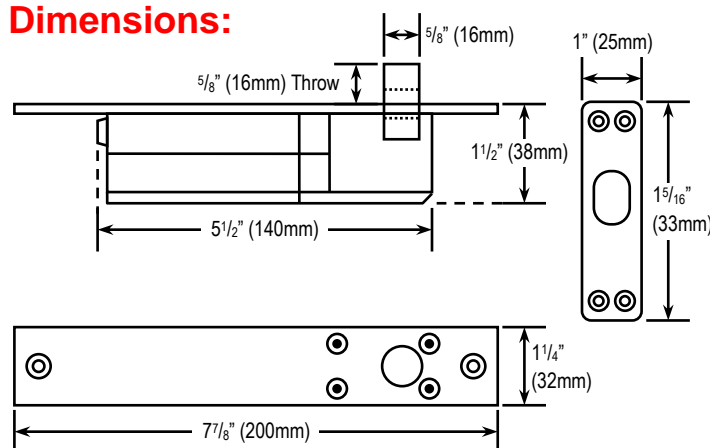
Features:

- Adds concealed deadbolt security to most wood or hollow metal doors, with the added convenience of electrical operation
- Magnetic switch senses door position for positive locking
- Attempts to lock several times if door is not closed properly to prevent solenoid from burning out
- Fail-safe operation (unlocks if power is lost)
- Stainless-steel bolt, 5/8" diameter, 5/8" throw
- Includes control wire which allows for releasing without cutting unit's power
- 12/24 VDC Operation (auto sensing)
- Door open/close monitor (NO/C/NC)
- Adjustable door lock delay timer (0, 2.5, 5, or 9 seconds)
- Mounting hardware included

Now with
12/24
VDC



Dimensions:



Specifications:

Model		SD-997B-GBQ
Operation		Fail-safe
Current draw	Standby	300mA
	Activated	900mA
Status sensor		Activated: 880mA
Operating voltage		12/24 VDC
Adjustable delay timer		0, 2.5, 5, 9 seconds
Weight		1-lb 13-oz (0.82kg)

*The SD-997B-GBQ is designed for hollow metal door frames. It is not recommended for wooden door frames. However, the door can be wood or metal.

Also Available from SECO-LARM®:

	SD-997A-DQ
	Fail-secure, stainless-steel bolt

Available Mounting Brackets:

	SD-997SMB-AQ
	Surface-mount bracket kit
	SD-997UB-AQ
	Glass-door "U" bracket