

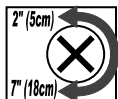
ENFORCER Post-Mount No Touch Sensor with Access Box

Sensor and LED Adjustment:

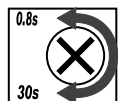
Adjusting the sensor range and trigger time:

1. The sensor range can be adjusted 2"~7" (5~18 cm).
2. The trigger time can be adjusted from 0.8 to 30 seconds or toggle¹.

NOTE: Do not force the adjustment trimpots to turn. Only minimal force is needed.

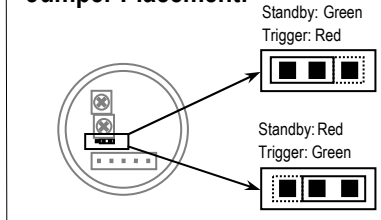


Sensor range: 2"~7" (5~18 cm)
Default: 7" (18cm)



Trigger time: 0.8~30 seconds, toggle¹
Default: 0.8 seconds
¹Toggle: turn all the way clockwise to maximum

Changing the LED Color Jumper Placement:



Sensor range adjustment

Trigger time adjustment

Care and Cleaning for the SD-9963-KSGQ Sensor:

The sensor requires special care to ensure reliability and a long operating life.

1. Use a soft, clean cloth for cleaning. Use the mildest type of cleaner available.
2. When cleaning, spray the cleaning solution onto the cleaning cloth instead of the unit.
3. Be sure to wipe off any excess liquid from the sensor. Wet spots or areas may affect the sensor's performance.

WARNING: Incorrect mounting which leads to exposure to rain or moisture inside the enclosure could cause a dangerous electric shock, damage the device, and void the warranty.

WARRANTY: This SECO-LARM product is warranted against defects in material and workmanship while used in normal service for one (1) year from the date of sale to the original customer. SECO-LARM's obligation is limited to the repair or replacement of any defective part if the unit is returned, transportation prepaid, to SECO-LARM. This Warranty is void if damage is caused by or attributed to acts of God, physical or electrical misuse or abuse, neglect, repair or alteration, improper or abnormal usage, or faulty installation, or if for any other reason SECO-LARM determines that such equipment is not operating properly as a result of causes other than defects in material and workmanship. The sole obligation of SECO-LARM and the purchaser's exclusive remedy, shall be limited to the replacement or repair only, at SECO-LARM's option. In no event shall SECO-LARM be liable for any special, collateral, incidental, or consequential personal or property damage of any kind to the purchaser or anyone else.

NOTICE: The information and specifications printed in this manual are current at the time of publication. However, the SECO-LARM policy is one of continual development and improvement. For this reason, SECO-LARM reserves the right to change specifications without notice. SECO-LARM is also not responsible for misprints or typographical errors. Copyright © 2014 SECO-LARM U.S.A., Inc. All rights reserved. This material may not be reproduced or copied, in whole or in part, without the written permission of SECO-LARM.

SECO-LARM® U.S.A., Inc.

16842 Millikan Avenue, Irvine, CA 92606
Phone: (949) 261-2999 | (800) 662-0800

Website: www.seco-larm.com
Email: sales@seco-larm.com

 PITSW1
Order Part# 763-182%
MISD-9963-KSGQ_141022.docx



SD-9963-KSGQ

Post-Mount No Touch Sensor with Access Box

Manual



The ENFORCER Post-Mount No Touch Sensor with Access Box is a full-featured exit plate which uses IR technology to allow egress from a protected area or activate a device with the simple wave of a hand. Since it is touchless, this sensor is ideal for use in hospitals, clinics, labs, cleanrooms (to reduce the risk of contamination), schools, factories, or offices where no special clearance is required for exit or where a longer range sensor may cause unwanted activation. A manual override button is also provided.

SECO-LARM® SLI



ENFORCER Post-Mount No Touch Sensor with Access Box

Features:

- Adjustable sensor range up to 7" (18cm)
- Weather resistant for outdoor use
- Stainless steel plate
- Hinged plate easily removes from box for easy wiring
- 1A Relay, adjustable trigger duration 0.8~30 seconds or toggle
- Dual voltage: 12/24VDC
- Gooseneck- or wall-mountable
- Manual override button
- LED-illuminated sensor area for easy identification
- Selectable LED colors (turns from red to green or green to red) on sensor activation
- Includes heavy-duty steel box

Parts List:

1x Touchless sensor	1x Steel access box	4x Mounting screws
2x Key	1x Manual	

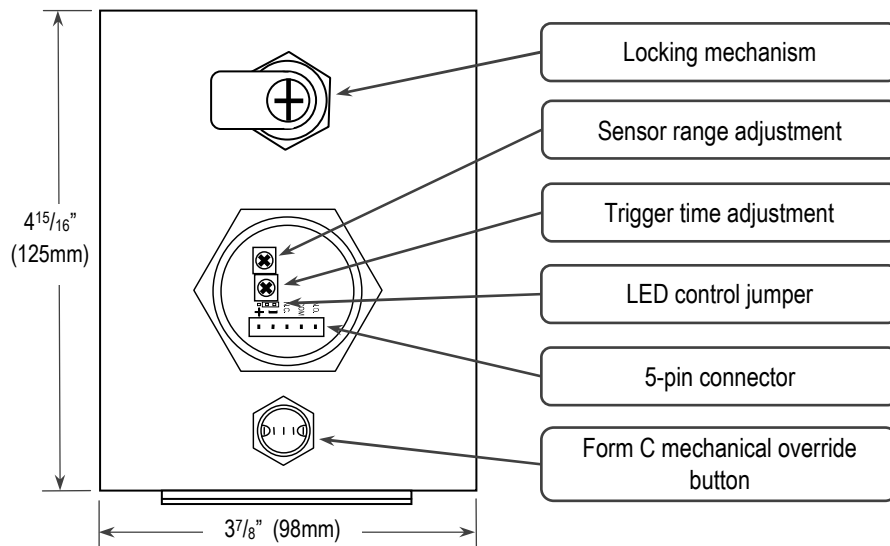
Specifications:

Power	12/24 VDC	
Current drain (max.)	Standby	16mA@12VDC / 25mA@24VDC
	Triggered	25mA@12VDC / 32mA@24VDC
Relay type	Form C dry contact, 1A@30VDC	
Response time	10ms	
LEDs	Standby	Red ¹
	Triggered	Green ¹
Output time	0.8~30 s or toggle	
Range	2"~7" (5~18 cm)	
IP Rating	IP65 ²	
Temperature range	-4°~131° F (-20°~55° C)	
Weight	1-lb 9-oz (710g)	
Size	4"x5½"x3" (102x134x77 mm)	

¹Color function reversible

²Front panel only

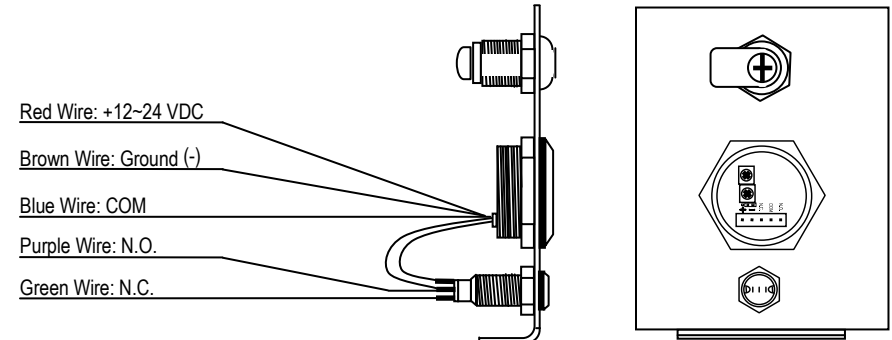
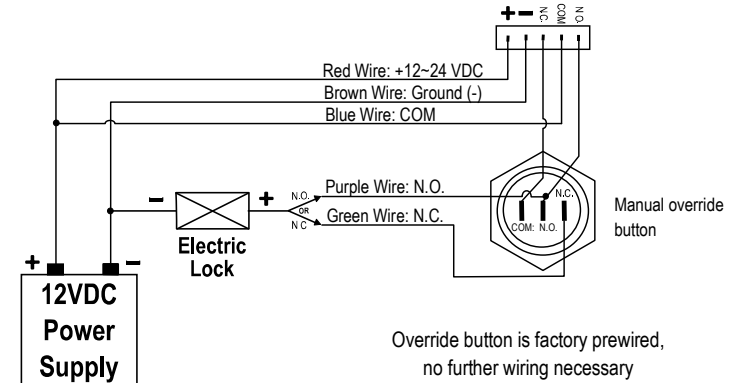
Overview:



ENFORCER Post-Mount No Touch Sensor with Access Box

Sample Wiring Diagram:

Typical installation with an electric lock:



Installation:

- Run four wires through the wall to the access box.
- Unlock and remove the front plate from the access box.
- Install the access box to the wall through the four mounting holes in the back, and thread the four wires through the center hole.
- Replace the front plate, but leave open and connect the four wires from the access box to the no-touch sensor according to the wiring diagram above.
- Close and lock the front plate, taking care not to crimp the wires.
- Remove clear protective film from the sensor before use.
- Make a copy of the key in case of loss. SECO-LARM does not offer replacement keys.

WARNING: Do not connect any device that will exceed 1A@30VDC.