

Specifications:

	SD-962AR-36A
For Doors	1-3/4" thick, wood or metal
Hand	Non-Handed
Latchbolt	Stainless-steel, 3/4" throw
Dead Latch	Stainless-steel, 5/8"
Strike	For 5/8" stop, plus shim for 1/2" stop
Spring	Stainless-steel
Chassis	Steel
Cover	High-density rust-resistant alloy
Rail Assembly	Steel
End Cap	Steel
Dogging	Allen-type dogging standard

WARNING: Incorrect mounting which leads to exposure to rain or moisture inside the enclosure could damage the device and void the warranty.

AVERTISSEMENT Un montage incorrect qui conduit à une exposition à la pluie ou à l'humidité à l'intérieur de l'enceinte pourrait endommager l'appareil et annuler la garantie.

WARRANTY This SECO-LARM® product is warranted against defects in material and workmanship while used in normal service for a period of one (1) year from the date of sale to the original consumer customer. SECO-LARM's obligation is limited to the repair or replacement of any defective part if the unit is returned, transportation prepaid, to SECO-LARM. This Warranty is void if damage is caused by or attributed to acts of God, physical or electrical misuse or abuse, neglect, repair, or alteration, improper or abnormal usage, or faulty installation, or if for any other reason SECO-LARM determines that such equipment is not operating properly as a result of causes other than defects in material and workmanship. The sole obligation of SECO-LARM, and the purchaser's exclusive remedy, shall be limited to replacement or repair only, at SECO-LARM's option. In no event shall SECO-LARM be liable for any special, collateral, incidental, or consequential personal or property damages of any kind to the purchaser or anyone else.

NOTICE: The information and specifications printed in this manual are current at the time of publication. However, the SECO-LARM policy is one of continual development and improvement. For this reason, SECO-LARM reserves the right to change specifications without notice. SECO-LARM is also not responsible for misprints or typographical errors. Copyright © 2014 SECO-LARM U.S.A., Inc. All rights reserved. This material may not be reproduced or copied, in whole or in part, without the written permission of SECO-LARM.

SECO-LARM® U.S.A., Inc.

16842 Millikan Avenue, Irvine, CA 92606

Tel: 800-662-0800 / 949-261-2999 Fax: 949-261-7326

Website: www.seco-larm.com

E-mail: sales@seco-larm.com

Made in Taiwan

PITSW6

MISD-962AR-36A_1312.cdr

SECO-LARM® U.S.A., Inc.

Installation Manual

ENFORCER®

SD-962AR-36A

Rim-Type Exit Device



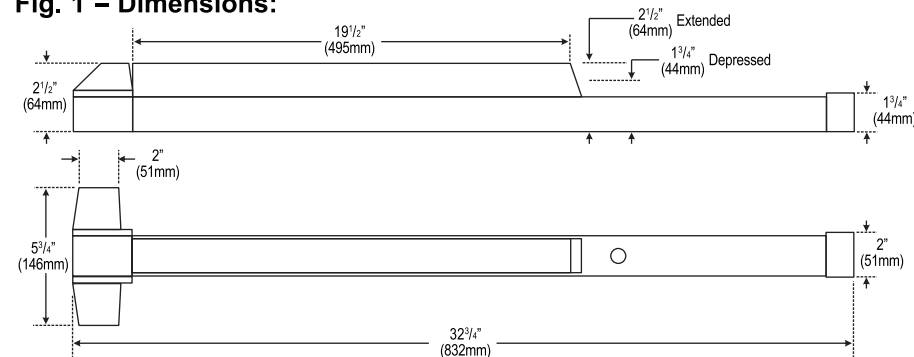
Features:

- For exit doors – Allows exit from inside while locked from outside.
- Reversible non-handed design.
- For metal or wood doors up to 1 3/4" thick.
- Stainless steel 3/4" throw latch bolt.
- Separate deadlocking latch – Prevents the use of credit cards or similar means to open the latch bolt.
- Allen-type 1/4-turn dogging lock – Allows the exit device to be unlocked for extended periods of time.
- Includes all needed hardware for typical installation.
- Works with standard external door handle/lock devices (not included).
- Fits doors from 30" to 48" wide.
- Heavy-duty steel construction.
- Stainless steel spring.

What It Does:

SECO-LARM®'s SD-962AR-36A exit device, when mounted on the inside of a door to block entry to a protected premises, securely locks the door from outside access while allowing users inside the protected premises to exit. The stainless-steel enclosure protects the exit device from abuse, yet easily unlocks the door from the inside by users who require exit. It can be connected to a door handle with a lock, or any physical locking device, on the outside of the door in order to allow entry to personnel with keys to the protected premises.

Fig. 1 – Dimensions:



Rim-Type Exit Device Installation Manual

Fig. 2 – Parts Description

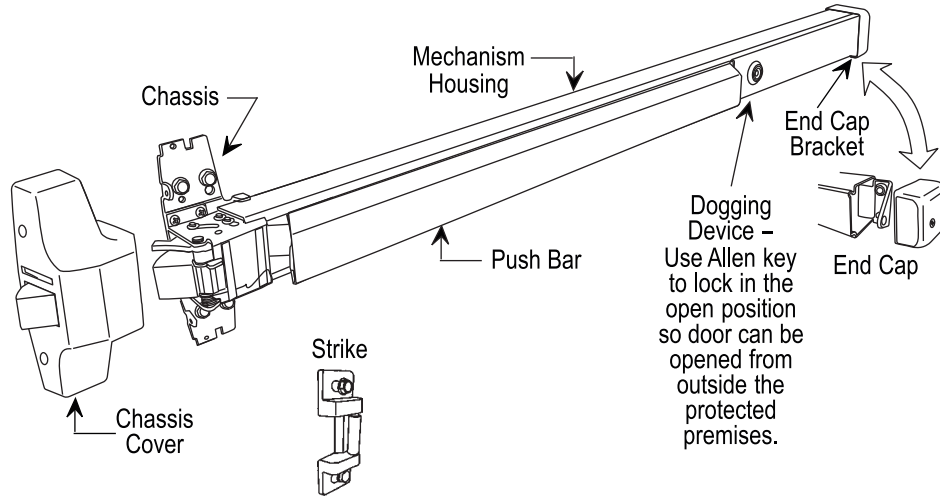
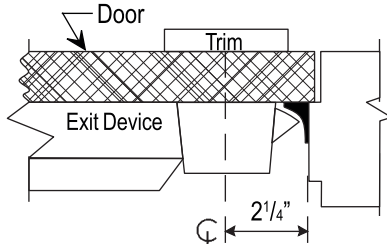
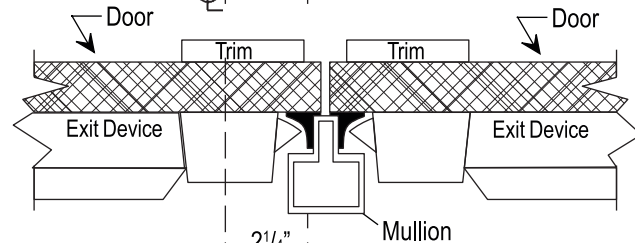


Fig. 3 – Possible Applications:

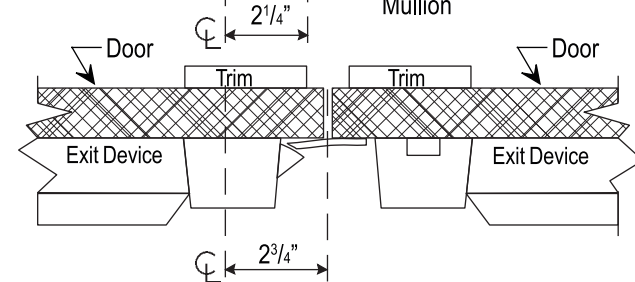
Single Door



Double Door with Mullion



Double Door without Mullion



Rim-Type Exit Device Installation Manual

Fig. 4 – Mounting Location

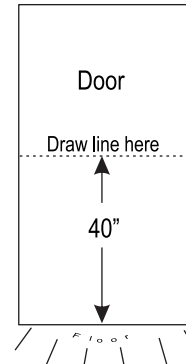


Fig. 5 – Using the Template

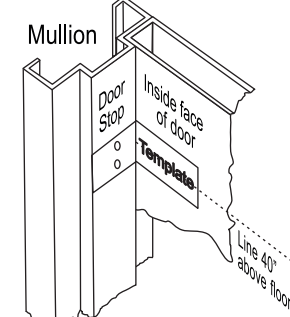


Fig. 6 – Mounting the Strike

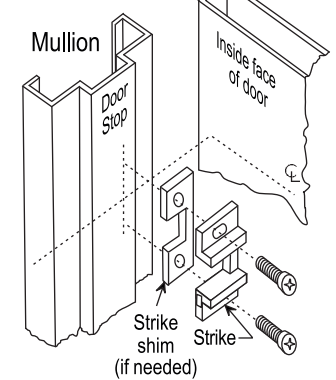
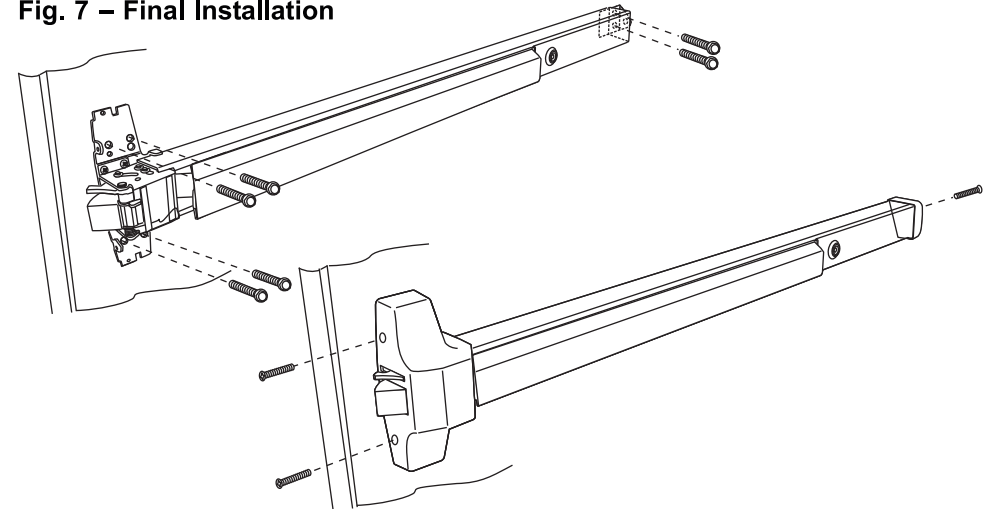


Fig. 7 – Final Installation



1. Mark the center line of the exit bar on the center of the door by drawing a line across the door at 40" above the floor. See fig. 4.
2. Fold the included template, and align the center lines on the template with the center line just drawn on the door. Then mark the position of the mounting holes for the latch assembly. See fig. 5.
3. Move the template against the door stop and then mark the mounting holes for the strike.
4. Drill the holes as marked on the door and the mullion. See fig. 6.

Note:

1. For doors with a door stop depth of under 5/8", it may be necessary to use the included 1/8" strike shim.
2. For doors with a door stop depth of 5/8" or more, the strike shim may not be necessary.