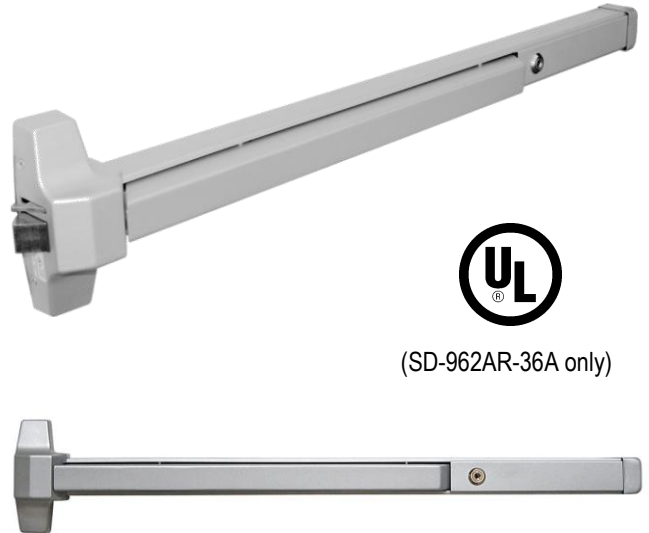


Rim-Type Exit Device

SD-962AR-36A

Features:

- ▶ For exit doors—Allows exit from inside while locked from outside.
- ▶ UL Listed.
- ▶ Reversible, non-handed design.
- ▶ For metal or wood doors up to 1³/₄" thick.
- ▶ Stainless-steel 3/4" throw latch bolt.
- ▶ Allen-type 1/4-turn dogging lock allows the exit bar to be unlocked for extended periods of time.
- ▶ Includes all hardware for typical installation.
- ▶ Works with standard external door handle/lock devices such as the SD-962HL-4A (not included).
- ▶ Fits doors from 30" to 48" wide.
- ▶ Heavy-duty steel construction.
- ▶ Stainless steel spring.



Entry-Type Lever Trim Available:

SD-962HL-4A

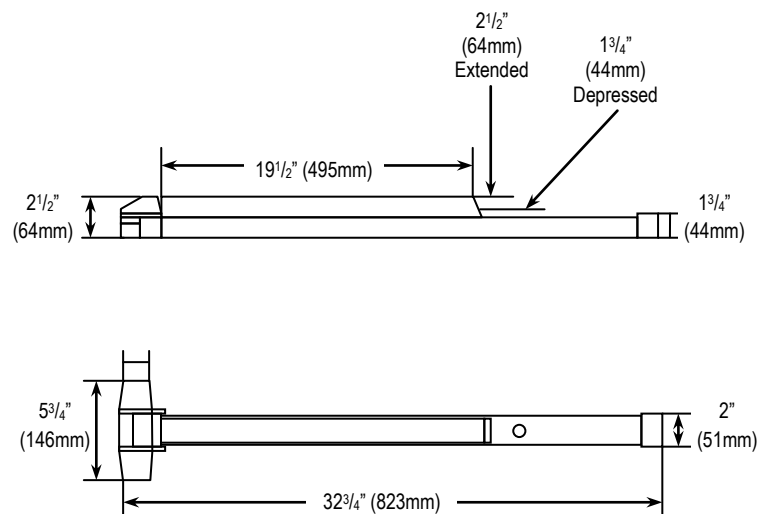
- ▶ Non-handed.
- ▶ SC4, 6-pin lock.
- ▶ Entry type.
- ▶ Key locks & unlocks.



Specifications:

Door type	1 ³ / ₄ " thick, wood or metal
Hand type	Non-handed
Latch bolt	Stainless steel, 3/4" throw
Dead latch	Stainless steel, 5/8"
Strike	For 5/8" stop plus shim for 1/2" stop
Spring	Stainless steel
Chassis	Steel
Cover	High-density, rust-resistant alloy
Rail assembly	Steel
End cap	Steel
Dogging	Allen-type dogging standard

Dimensions:



SECO-LARM®

16842 Millikan Avenue
Irvine, CA 92606

Tel: 1-949-261-2999

1-800-662-0800

Fax: 1-949-261-7326

Web: www.seco-larm.com

E-mail: info@seco-larm.com

Copyright © 2010
SECO-LARM U.S.A., Inc.
All rights reserved