

## 7-Day Timer

### SA-027WQ

#### Features:

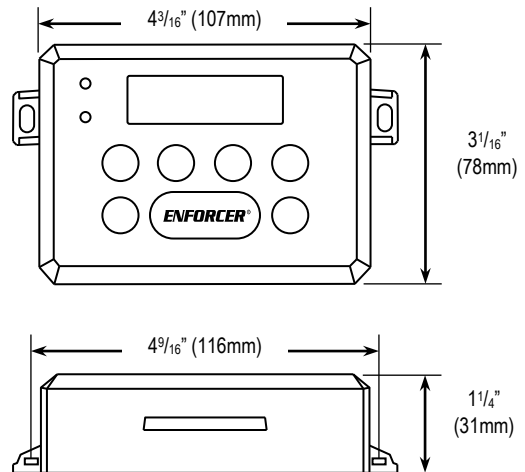
- Enclosed terminals for a safer installation
- 12~24 VAC/VDC Operation
- Up to 60 programmable events
- Holiday function (up to 99 days)
- Easy-to-read backlit LCD
- Adjustable output time
- Programmable security code
- 12 or 24-Hour clock format
- 16 Schedules including daily, weekly, weekends, etc.
- Memory saved if power fails
- Form C relay output (10A@120VAC/28VDC)
- Egress input terminal
- Mode selection button for manual relay operation

#### Specifications:

Model	<b>SA-027WQ</b>	
Operating voltage	12~24 VDC/VAC	
Current draw	Standby	15mA@12VDC
	Active	70mA@12VDC
Relay rating	10A@120VAC/28VDC	
Backup battery	1x CR-2016 (included)	
Dimensions	4 <sup>3</sup> / <sub>16</sub> "x3 <sup>1</sup> / <sub>16</sub> "x1 <sup>1</sup> / <sub>4</sub> " (107x78x31 mm)	
Weight	4.6-oz (130g)	



#### Dimensions:



#### Also Available from SECO-LARM®:



**SA-025Q**  
Multi-Purpose  
Programmable Timer



**SA-026Q**  
Miniature  
Timer Module



**SA-025EQ**  
Delayed Egress  
Timer



**SA-027HQ**  
365-Day  
Annual Timer