

Miniature Timer Module

SA-026Q

The **ENFORCER®** SA-026Q is a low-voltage miniature delay timer module that operates on 12 to 24 volts AC or DC. This timer module will extend the activation time of a momentary contact switch for 1~180 seconds via a field-adjustable potentiometer. Use with electrical locks that do not have a built-in time delay function. Its compact size makes it small enough to fit in a single-gang box or inside a door frame cavity.



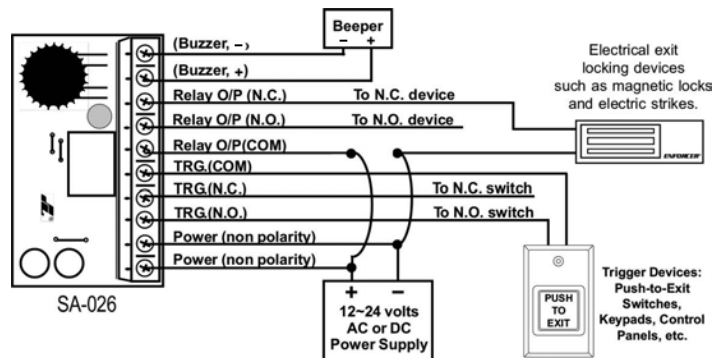
Actual Size:
1³/₁₆" x 2⁹/₃₂" x 5¹/₈"

Features:

- Adjustable timer from 1~180 seconds via an onboard potentiometer
- NO/NC Switch trigger
- Compact design: 1³/₁₆" x 2⁹/₃₂" x 5¹/₈" (30x58x16 mm)
- 12~24 VAC/VDC Operation
- Current: 2mA (standby), 75mA (active)
- Relay output: Form C (SPDT) via terminal blocks
- Contacts rated 2A@24VDC
- Built-in buzzer output (100mA@24VDC)
- Includes double-sided foam tape

Sample Application:

For fail-safe electromagnetic locks



Also Available from SECO-LARM®:



SA-025Q
Multi-Purpose
Programmable Timer



SA-025EQ
Delayed Egress
Timer



SA-027WQ
7-Day
Timer



SA-027HQ
365-Day
Annual Timer

SECO-LARM® U.S.A., Inc.

16842 Millikan Avenue, Irvine, CA 92606

Phone: (949) 261-2999 | (800) 662-0800 Fax: (949) 261-7326

Website: www.seco-larm.com Email: sales@seco-larm.com



Copyright 2014 © SECO-LARM U.S.A., Inc. All rights reserved. The SECO-LARM policy is one of continual development. For that reason, SECO-LARM reserves the right to change prices and specifications without notice. SECO-LARM is not responsible for misprints.

SECO-LARM® ENFORCER® CRIMEBUSTER® CBA SLI®

Pi_SA-026Q_1406.docx