

# DITEK SNAP-IT™ SERIES

READ AND UNDERSTAND ALL INSTRUCTIONS

If using DTK-SI-xxxA device, please take note that this device is an overvoltage and overcurrent protector and is intended for indoor use on a UL Listed 66 type block which is located on the equipment side of a UL Listed primary protector.

If using DTK-SI-xxxB device, please take note that this device is an overvoltage protector and is intended for indoor use on low power Communication Loop Circuits which have been isolated from the Public Switch Telephone Network. The Communication Loop Circuit shall not be exposed to accidental contact with electrical or power conductors. (National Electric Code, article 800).

Do not use on incoming Telco lines.

"Never install telephone wiring during a lightning storm"

## INSTALLATION INSTRUCTIONS

### UNIT

1. Install the SNAP-IT™ surge protectors across the punch down clips of the 66 Block using a gentle rolling action from one side to the other. If you encounter difficulty in installing the surge protector, DO NOT force the SNAP-IT™. Instead, make sure the clips are not bent or deformed, then try a straight on approach to align the clips while rolling on the surge protector.

2. SNAP-IT™ is conveniently equipped with two test points per circuit for continuity checks with an OHM meter while the SNAP-IT™ is installed.

### GROUND BAR

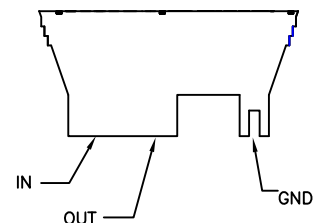
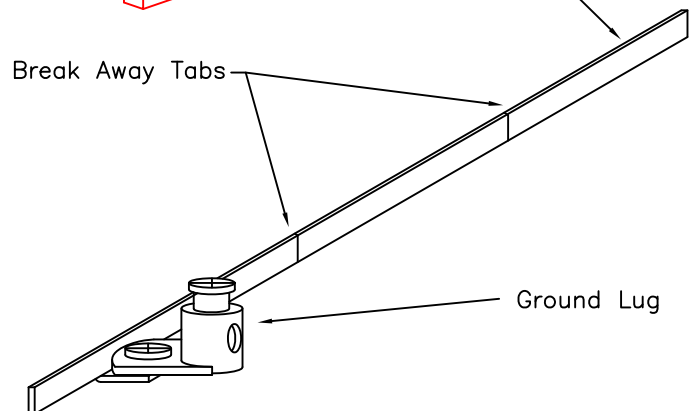
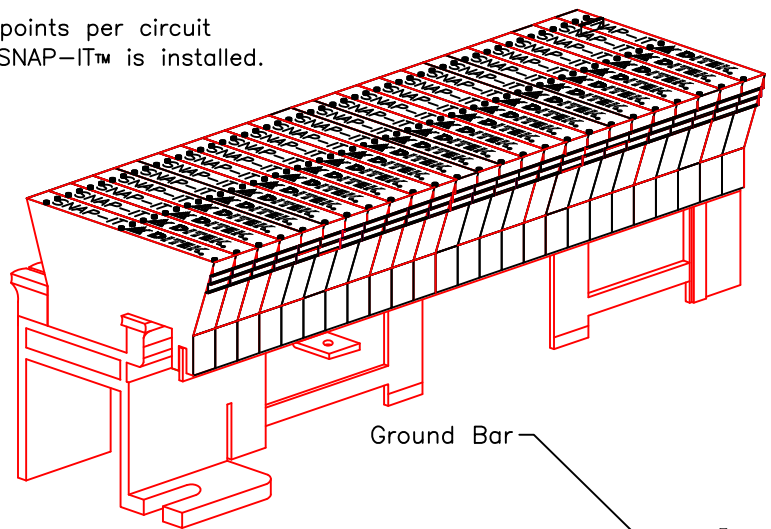
Model DTK-SIGB Ground Bar.

This ground bar fits in the ground slot of the SNAP-IT™ and is designed for an interference fit and to be held captive by the ground contact. This ground bar has a break away feature that allows a custom fit when only a few SNAP-IT™ units are installed on the 66-block.

1. Break away 1 or both tabs, depending on number of SNAP-IT™ units used.
2. Straddle each ground contact slot with ground bar, then gently squeeze ground bar into ground contact slots.
3. Attach ground wire (14 awg min.) to ground lug making sure the ground wire is as short and straight as possible.

#### GROUND RESISTANCE RULE:

Max ground resistance shall be 25 ohms, 5 ohms or less is optimum. This cannot be an assumed value and must be measured to assure proper grounding.



VOLT. BREAKDOWN CHART	
MODEL	VOLTAGES
SI-6	6.0 VRMS
SI-14	14.0 VRMS
SI-30	30.0 VRMS
SI-50	50.0 VRMS
SI-75	75.0 VRMS
SI-95	95.0 VRMS
SI-130	130.0 VRMS

\* SAVE THESE INSTRUCTIONS

For further information or technical support, please call 1-888-472-6100.



Diversified Technology Group, Inc.

1720 Starkey Road Largo, Florida  
1-800-753-2345 www.ditekcorp.com

REV	DESCRIPTION/ECN	DATE	APPROVED BY	TITLE
4	CHANGED GRND BAR	07/09/03	R.M.	INSTALLATION INSTRUCTIONS FOR DTK SNAP-IT™ "A" SECONDARY TELEPHONE PROTECTOR. "B" ISOLATED LOOP CIRCUIT PROTECTOR.
5	CHANGED INSTRUCTIONS	4/13/04	R.M.	
DRAWN BY: R.W.M.		DATE: 01/26/99	SHEET 1 OF 1	
			DWG#P/N: INT-100009-001	191421