



**91PE
Series
Multimode**

One Way Digital Video, (2) 10/100Base-TX Ports Ethernet Transceiver

Features:

- ◆ Compatible with NTSC, (RS – 170A & RS –343A), PAL and SECAM
- ◆ Diagnostics: Video, DC Power, Digital Frame Sync, OLI, Data Activity
- ◆ Available with Enhanced "Afinety" Intelligent Monitoring System
- ◆ Digital Video Transmission
- ◆ 2 Ports – 10/100Base-TX

SPECIFICATIONS:

Video:

I/O Level.....	1 Vp-p
I/O Impedance	75 Ω
Bandwidth	7 MHz
Differential Gain	2%
Differential Phase.....	0.7°
SNR.....	60 dB
Connector.....	BNC

Ethernet: (2 ports)

Data Rate:	
Auto negotiated.....	10/100 Mb/s
Connector.....	RJ45

Optical:

Wavelength.....	1300/1550nm
Loss Budget (62.5/125μ).....	12 dB
Distance.....	2.0 km
Connector.....	ST

Temperature (Operating)

-40°C to +75°C, non-condensing

Power Supply:

Module –	12 VDC (AFI Part # PS-12D)
Rack Card –	AFI SR 20/2

Size:

Module.....	8 1/8" x 4 1/8" x 1 1/8"
Rack Card	1 rack slot– 6 1/2"x5"x1"



The American Fibertek 91PE-SL Series transmits high-quality, state of the art, 10-bit digital video and (2) 10/100Base-TX Ethernet ports one multimode optical fiber.

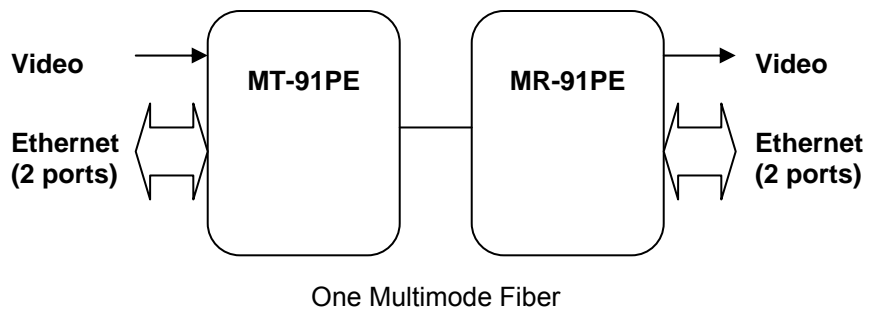
The system is designed to be completely transparent with auto negotiation features which automatically configures the unit for the correct speed (10/100Base-TX). Auto MDI/MDIX operation eliminates the potential need for crossover cables. Diagnostic indicators provide a quick visual indication of system status.

Equipment may be ordered as stand alone modules or rack cards that are mounted in the American Fibertek Card Cages: SR-20R/1 or SR20/2.

The "Afinety" intelligent remote monitoring system is available on this product, please consult factory.

Product Ordering Information:

MT-91PE	Module Transmitter
MR-91PE	Module Receiver
RT-91PE	Rack Card Transmitter
RR-91PE	Rack Card Receiver



9/15/10 JPK