



**89C-GE
SERIES
MULTIMODE
SINGLEMODE**

**Single Channel Digital Audio Transmission System
For Commend GE Series Intercom Systems
Preliminary**

FEATURES:

- Diagnostics : DC Power, Audio, and Optical Presence
- Serial ISDN Digital Transmission
- Extends the Distance for Commend GE Series Intercoms Systems

SPECIFICATIONS:

Data I/O:

Data Line Rate.....160 KHz
Connector.....Terminal Block

Optical (89C-GE Series):

Wavelength.....1310/1550 nm
Loss Budget (62.5/125µ).....12 dB
Maximum Transmission Distance.....4 Km
Connector.....ST/PC

Optical (89C-GE-SL Series):

Wavelength.....1310/1550 nm
Loss Budget (9/125µ):.....21 dB
Connector.....SC/PC

Temperature (Operating):

-40°C to +75°C, non-condensing

Power Supply:

Module - 12 VDC (AFI Part #: PS-12D)
Rack Card (See AFI Part #: SR-20/2)

Size:

Module - 4 1/4" x 4 1/4" x 1 1/8"
Rack Card - 6 1/2" x 1" x 5"

Multimode Ordering information:

MT-89C-GE = Module Transmitter
MR-89C-GE = Module Receiver
RR-89C-GE = Rack Card Receiver

Singlemode Ordering information:

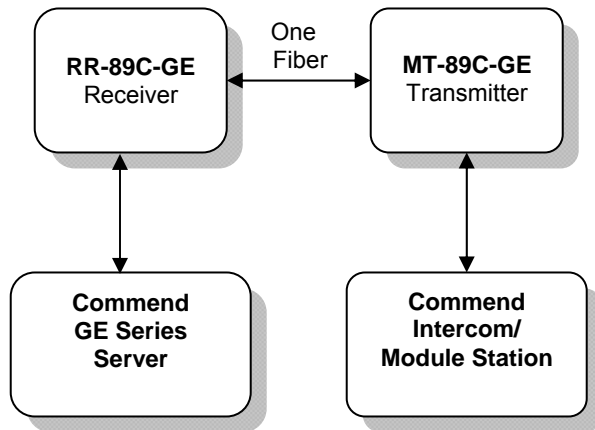
MT-89C-GE-SL = Module Transmitter
MR-89C-GE-SL = Module Receiver
RR-89C-GE-SL = Rack Card Receiver



The American Fibertek 89C-GE Series are designed to interface with the Commend digital series intercom systems. The 89C-GE Series provides bi-directional transmission of an ISDN line rate data signal over one multimode or single mode optical fiber. The 89C-GE modules can provide 28 Vdc to the Commend intercom / module stations.

Designed to be completely transparent, the system requires no field adjustments at installation or additional maintenance thereafter. Diagnostic indicators provide a quick visual indication of system status.

Equipment may be ordered as stand alone modules or rack cards that are mounted in an SR-20/2 American Fibertek Card Cage.



8/10/2013JPK