



DITEK Corporation  
ONE DITEK CENTER  
1720 Starkey Road  
Largo, FL 33771

# INSTALL INSTRUCTIONS

## DTK-RM16-C5

This Surge Protective Device (SPD) is a high performance device, designed to provide protection for sensitive electronic loads connected to service panels, fire panels, or where the SPD is directly connected to the electronic device. Maximum protection will only be achieved if the SPD is properly installed.

Please read and follow the installation instructions carefully.

**NOTICE:** This SPD should be installed by a qualified electrician in accordance with the National and Local Electrical Codes and the following instructions.

### APPLICATION

Surge suppression for rack mountable data circuits using an RJ45 connection.

### WIRING INSTRUCTIONS:

**Caution:** Measure all voltages to insure applied voltage does not exceed the voltage rating of the module. Improper installation voids the warranty.

This unit must be connected in series with the field wiring and the equipment to be protected.

1. Connect a #10 AWG minimum gage ground wire to the ground lug on back of face plate and connect this to an appropriate ground point.

**Note:** Make sure the #10 AWG ground wire is shorter in length than the CAT5e patch cable from the output of the DITEK unit to the protected equipment.

2. Mount this device using your preferred method of install.

3. Connect the incoming wires to the "IN" connector.

4. Connect a 3' - 6' minimum CAT5e patch cable from the "OUT" connector to the equipment being protected.

**Note:** Always have one common ground per system to eliminate the possibility of a differential in ground potentials.

**Ground Resistance Rule: Max ground resistance is 25 Ohms, 5 Ohms or less is optimum.**

**This cannot be an assumed value and must be measured to assure proper grounding.**

### DTK-RM16C5M SURGE MODULE REPLACEMENT INSTRUCTIONS:

1. Lay faceplate face down on a flat surface with the ground lug on the left hand side.

2. Select the desired module position number (1-16)

3. Remove damaged surge module.

4. Remove hardware kit and surge module from plastic bag.

5. Place the silver spacer onto the threaded standoff.

6. Place split (lock) washer on top of silver standoff.

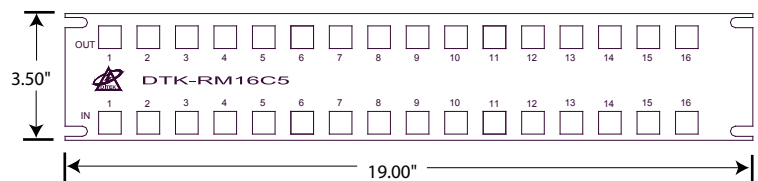
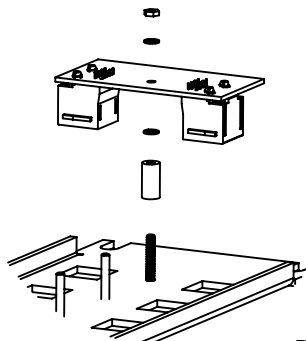
7. Place surge module pc board over threaded standoff with "J1" at output side and "J2" at input side.

Make sure the connectors and threaded standoff line up with their perspective holes and seat properly.

8. Place 2nd split (lock) washer over threaded standoff.

9. Place the hex-nut over the threaded standoff. using a 3/16" hex socket, tork the nut to 10 Inch Pounds Maximum.

10. Re-install the DTK-RM16C5



DITEK Technical Support Available 24/7

1-888-472-6100

[www.ditekcorp.com](http://www.ditekcorp.com)

Doc # INT-100061-001  
Part No. 191044 Rev. 3

Revised By: R. Mitchell 6-18-14  
Approved By: H. Tu 6-18-14

# INSTALLATION