



DTK-PVP Series

Fixed Camera Surge Protector General Product Specifications

DITEK's PVP27B protects all the sensitive feeds to fixed cameras, not just the video cable. Simple to install, the PVP27B series protects 24 Volt power conductors and video conductors in one compact package. With the lowest video let through voltage (and best surge protection) on the market, the PVP27B provides ideal surge protection for today's sensitive, high-quality fixed cameras. Models are available for Coax and Twisted Pair video connections.



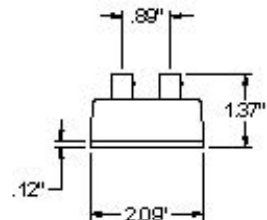
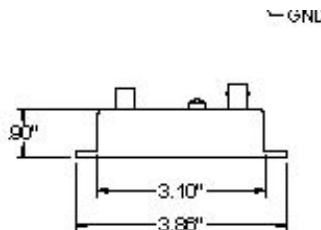
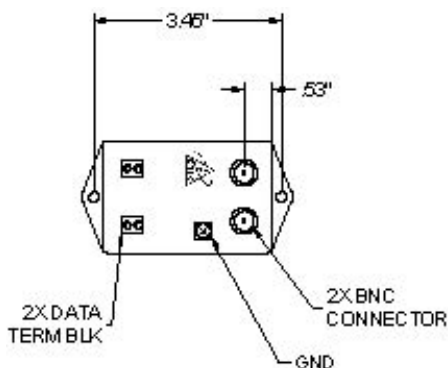
DTK-PVP27B

DTK-PVP27BTPV

DTK-PVP27B DTK-PVP27BTPV

Product Features

- Protects power and video conductors in one package
- 5 Amp, 24V circuit protects power feeds to camera, heater, blower, defroster
- Multi-stage, SAD technology, hybrid design provides the best possible protection
- Single point ground improves protection and speeds installation
- Protect standard Coax or Twisted Pair video connections
- Ten Year Limited Warranty





DTK-PVP Series

Fixed Camera Surge Protector General Product Specifications

Specifications:

	DTK-PVP27B	DTK-PVP27BTPV
Application:	Coax Connected Camera	Twisted Pair Video Camera
Connection Method (Video):	BNC	#22 - #14 AWG Screw Terminals
Connection Method (Power/Data):	#22 - #14 AWG Screw Terminals	
Video Band Pass:	0Hz - 10MHz	0Hz - 2GHz
Impedance:	75 Ω	n/a
Modes Protected (Video):	Center - Shield Shield - G	Positive - G Negative - G
Modes Protected (Power):	All Lines to Ground	
Service Voltage (Video):	2V peak - peak	
Service Voltage (Power):	24V AC/DC	
Clamping (Video):	2.8VDC	6.8VDC
Clamping (Power):	33VAC / 47VDC	
Surge Current (Video):	Center - Shield 10kA (8/20 μ s) Shield - Ground 150A (10/100 μ s)	114A/pair (10/100 μ s)
Surge Current (Power):	2,000 Amps	
Temperature Range:	-40°F to 158°F (-40°C to 70°C)	
Housing:	ABS	
Dimensions:	3.86" x 2.09" x 1.37" (98mm x 53mm x 35mm)	
Weight:	2.56 ounces (73 grams)	

