

Specifications

Environment	PC environment – PS/2 Keyboard/Mouse							
Devices	PCs, laptops, servers, and any equipment supporting PS/2 devices							
Transmission	Transparent to the user							
Bandwidth	DC to 1 MHz							
Signals	Mouse data, mouse clock, keyboard data, keyboard clock, VCC, ground							
Connectors	500045: Dual 6-pin mini DIN female for keyboard/mouse side 500046: Dual 6-pin mini DIN male with 6-inch lead for PC side RJ45 for twisted pair							
Color Code	Keyboard: purple Mouse: green							
Max. Distance via Cat 5E/6 UTP/STP Cable	350 feet (106 m)							
RJ45 Pin Configuration <i>Reverse Polarity Sensitive</i>	<table border="0"> <tr> <td><u>Keyboard</u></td> <td><u>Mouse</u></td> </tr> <tr> <td>Pin 4(R) Pin 5(T)</td> <td>Pin 1(R) Pin 2(T)</td> </tr> <tr> <td>Pin 7(R) Pin 8(T)</td> <td>Pin 3(R) Pin 6(T)</td> </tr> </table>	<u>Keyboard</u>	<u>Mouse</u>	Pin 4(R) Pin 5(T)	Pin 1(R) Pin 2(T)	Pin 7(R) Pin 8(T)	Pin 3(R) Pin 6(T)	Use EIA/TIA 568 A or B, straight-through wiring
<u>Keyboard</u>	<u>Mouse</u>							
Pin 4(R) Pin 5(T)	Pin 1(R) Pin 2(T)							
Pin 7(R) Pin 8(T)	Pin 3(R) Pin 6(T)							
Cable	Category 5E/6 or better twisted pair cable							
Temperature	Operating: 0° to 55°C Storage: -20° to 85°C Humidity: Up to 95% non-condensing							
Enclosure	ABS fire retardant plastic							
Dimensions	500045: 2.40" x 2.25" x 1.00" (6.10 x 5.72 x 2.54 cm) 500046: 1.875" x 1.0" diameter plus 6" PS/2 cable lead							
Weight	1.6 oz (45 g)							
Mounting	500046: Velcro pad							
Regulatory	FCC, CE (pending)							
Warranty	Lifetime							
Order Information	500045 PS/2 Converter – PS/2-F, Keyboard/Mouse Side 500046 PS/2 Converter – PS/2-M, PC/Server Side							



PS/2 Converter 500045, 500046

Quick Installation Guide

Overview

The PS/2 Converter allows a standard PS/2 keyboard and mouse to be connected to a PC up to 350 feet (approximately 106 meters) via a Category 5E/6 unshielded twisted pair (UTP) cable in a point-to-point configuration.

There are two components: The device-side component (500045) connects easily to a PS/2 keyboard and mouse. The other component (500046) connects easily to the PC. Both models may be used in pairs or in conjunction with each other.

Typical applications include classroom projector systems, digital signage, boardroom systems, collaborative PC systems, and medical information systems.



8495 Dalton Road, Mount Royal, Quebec, Canada. H4T 1V5

Tel: (514) 905-0588 Fax: (514) 905-0589

Toll Free (North America): (877) 689-5228

E-mail: videoease@muxlab.com URL: www.muxlab.com

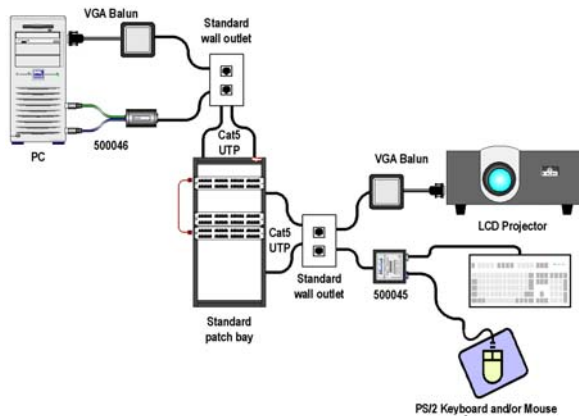
Installation

One (1) pair of converters is required to connect a keyboard and mouse to a remote PC via Cat 5E/6 twisted pair. To install the converters, perform the following steps:

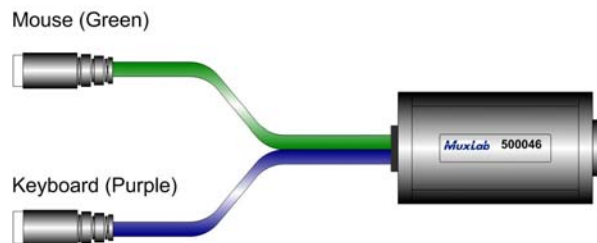
1. Plug the keyboard into the purple connector and the mouse into the green connector on the device-side converter (500045).



2. Connect the second converter (500046) to the PC by plugging the purple connector into the PC's keyboard port and the green connector into the PC's mouse port.



3. Complete the connection between the two converters using standard Cat 5E/6 twisted pair cable terminated by RJ45 plugs at both ends. Ensure that there are no split pairs or taps.
4. Power-on or restart the PC. You may not have to restart if the PC supports "hot-swapping" for both keyboard and mouse. The following diagram shows a typical installation.



Troubleshooting

The following table describes some of the symptoms, probable causes, and possible solutions in respect to the installation of the PS/2 Converter:

Symptom	Probable Causes	Possible Solutions
Pointer does not move. No keyboard output.	Faulty cable connection	Verify cable continuity between pairs of converters. Verify that connectors are properly matched (keyboard-keyboard, mouse-mouse).
Pointer does not move. No keyboard output	PC does not support hot-swapping for peripheral devices	Restart the PC.

If you still cannot diagnose the problem, please call MuxLab Customer Technical Support at 877-689-5228 (toll-free in North America) or (+1) 514-905-0588 (International).