

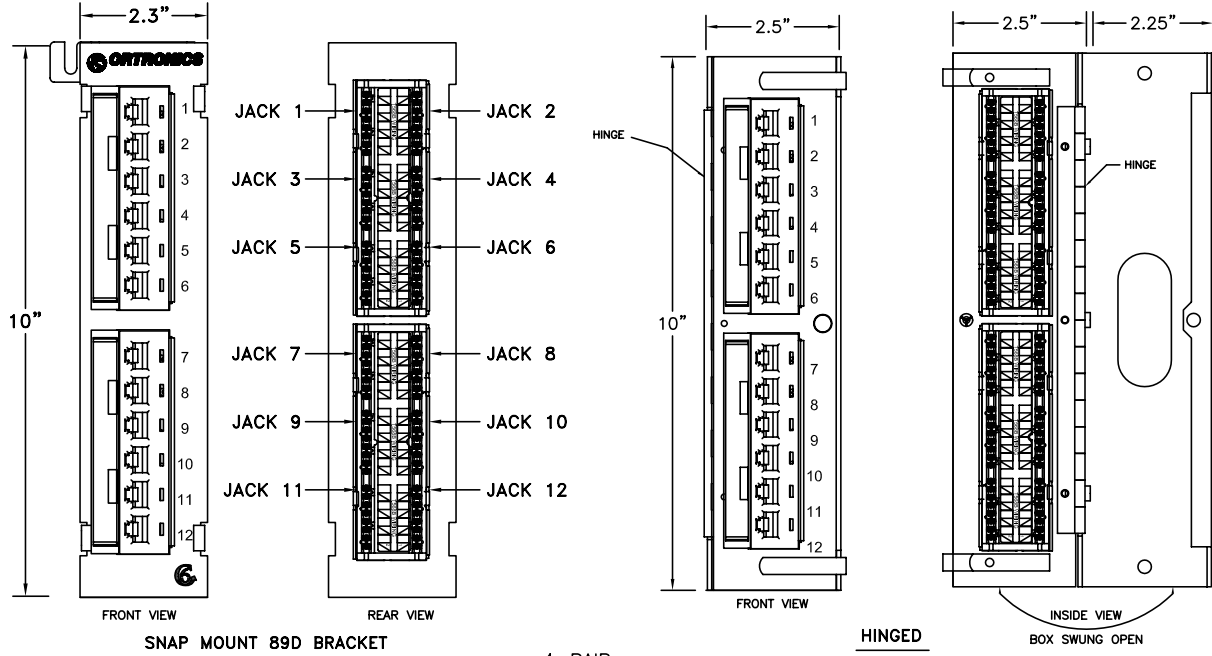
**ORTRONICS**

125 EUGENE O'NEILL DRIVE
 NEW LONDON, CT 06320
 TEL: 860-445-3800
 FAX: 860-405-2990

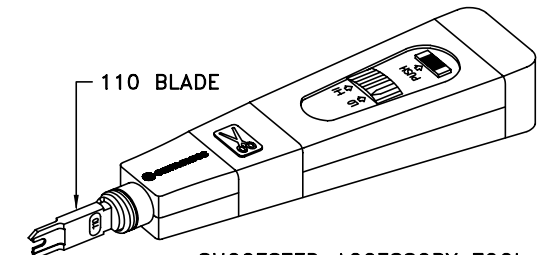
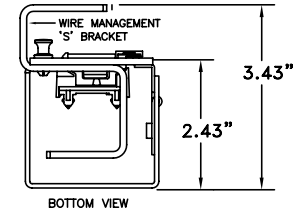
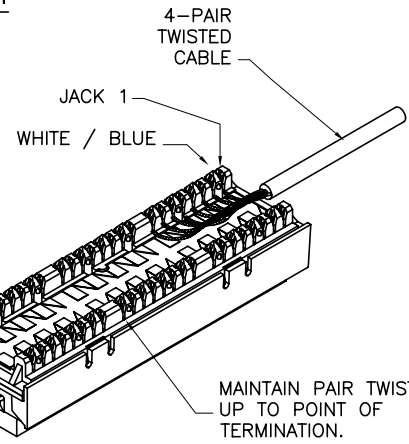
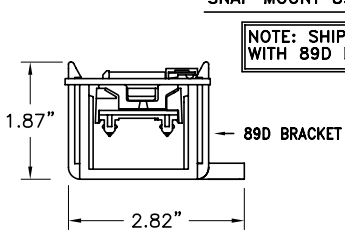
TITLE

CLARITY, 12 PORT
 MINI PATCH PANEL
 89D SNAP MOUNT AND HINGED

TYPE	WIRING	CLARITY 6, CAT6 12 PORT	CLARITY 5E, CAT5e 12 PORT
		PART #	PART #
89D BRACKET SNAP MOUNT	UNIVERSAL	PMP61289	PMP5E1289
HINGED	UNIVERSAL	PMP612H	PMP5E12H



NOTE: SHIPPED
WITH 89D BRACKET.



SUGGESTED ACCESSORY TOOL
 110 IMPACT TOOL FOR
 TERMINATION OF CABLE PAIRS
 OR-60300005 (TOOL & BLADE)
 OR-60300006 (BLADE ONLY)

4 PAIR CABLE COLOR CODE T568A	T568A 8 POS, JACK RJ45 WIRING	4 PAIR CABLE COLOR CODE T568B	T568B 8 POS, JACK RJ45 WIRING	RJ45 PIN #'s
WHITE/BLUE	5	WHITE/BLUE	5	1
BLUE/WHITE	4	BLUE/WHITE	4	8
WHITE/ORANGE	3	WHITE/ORANGE	1	
ORANGE/WHITE	6	ORANGE/WHITE	2	
WHITE/GREEN	1	WHITE/GREEN	3	
GREEN/WHITE	2	GREEN/WHITE	6	
WHITE/BROWN	7	WHITE/BROWN	7	
BROWN/WHITE	8	BROWN/WHITE	8	

NOTES:
 1. PANEL IS SUPPLIED WITH T568B
 LABEL IN PLACE. FOR T568A WIRING,
 ATTACH TWO SUPPLIED T568A
 WIRING LABELS.
 2. MAINTAIN PAIR TWIST TO POINT
 OF TERMINATION FOR MAXIMUM
 DATA PERFORMANCE.