



SELECTRIC® 7800 Series

SELECTRIC® PRO - SDC Electrified Mortise Locksets SELECTRIC® MOD - Major Brand Mechanical Lock Electrification

Applications

SELECTRIC® Electrified Mortise Locksets are designed for the access control of openings in commercial, industrial and institutional facilities where code compliance, dependable operation and resistance to physical abuse is required, including:

- High-Rise Offices
- Government Centers
- Hospitals
- Airports
- Universities
- Factories
- Museums

Building and Fire Life Safety Code Compliance

SELECTRIC® locksets ensure that the door stays latched even when unlocked, maintaining fire door integrity. SELECTRIC™ locksets comply with all national building and fire life safety code requirements for use on fire rated doors, including high rise stairwell and elevator lobby doors where the use of electric strikes and magnetic locks is prohibited.

Security with Superior Aesthetics

Available in field selectable failsafe and failsecure modes, functions and operating voltages, SELECTRIC® electrified locksets provide a superior appearance compared to exposed and vulnerable electric strikes and magnetic locks, while eliminating the need for request-to-exit devices.

Features

- Building and Fire Life Safety Code Compliance
- True full monitoring and REX capability
- Vandal resistance
- Lock brand choice and retrofit
- Field operation flexibility
- Reduced stocking requirements
- Increased function availability

Specifications

ANSI A156.25 Electrified Locks
ANSI A156.13 Grade 1
ANSI A117.1 Accessibility Code
California State Reference Code



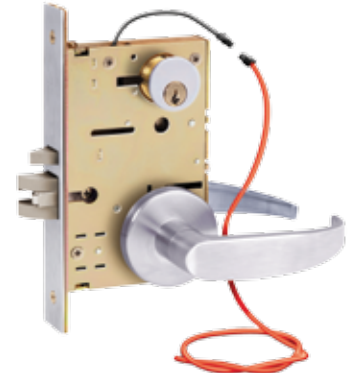
MEA
City of New York
678-80-SA



Electrically Operated Single Point Locks
& Latches, 3hr 'A' Label Fire Doors

SELECTRIC® PRO

- SDC fully featured lockset with complete application flexibility for new construction or retrofit of major brand mechanical locks
- New or retrofit application, replaces most mechanical locks
- Field selectable mode
- Field selectable function
- Field selectable voltage
- Field selectable handing
- Order with SDC trim or less trim. Compatible with Schlage trim provided by others.
- Key latch retraction



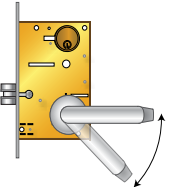
Full Monitoring Capability (optional)

- Request-to-Exit, SPDT
- Door Position Status, SPDT
- Latched & Locked Status, SPDT

Patents Pending

Vandal Resistant Lever Handles Standard With SDC Brand Lockset

When locked, the built-in clutch permits the handles to operate without retracting the latch, reducing potential for damage.



SELECTRIC® MOD

Schlage • Corbin Russwin • Best
Yale • Sargent • Dorma • Marks
Cal Royal • Arrow • Falcon • PDQ

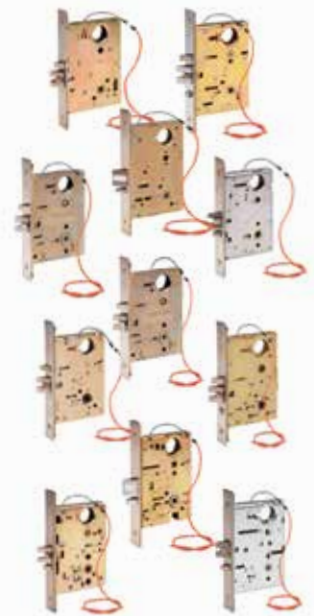
- For new construction or replacement of major brand mechanical locksets, your distributor simply sends the new mechanical locks to SDC for UL Listed electrification
- Field selectable mode
- Field selectable voltage
- Field selectable handing and functions based on individual lock brand capabilities
- Key latch retraction

Full Monitoring Capability (optional)

Available with select brands

- Request-to-Exit, SPDT
- Door Position Status, SPDT
- Latched & Locked Status, SPDT

Patent # 7614669



SECURITY DOOR CONTROLS

sdsecurity.com
service@sdsecurity.com



Price & Installation

Ordering Information

Source & Brand

--	--	--	--	--	--

Source codes indicate the origin, brand and model of the mechanical lockset.

SDC Brand Locksets Complete with SDC Lever Trim

Available through SDC's shipQUICK program for shipment by the next business day. Consult your factory for applications where Schlage lever trim may be supplied by others, (POA). See standard features on page 1.

Z SDC 7800

Major Brand Electrified Lock Chassis, Less Trim, Provided by SDC Factory

See standard features on page 1.

ZS Schlage	ZN Arrow
ZA Falcon	ZP Yale
ZD Sargent	ZT Best
ZI Corbin Russwin	

Mortise Locks Supplied by Distributor

Distributors supply SDC with the mortise lock body and armored front (less trim) for modification. SDC returns the modified lock body with an electric actuator. Upon installation, two lever return spring cages (supplied by distributor) are required for proper operation.

See standard features on page 1.

A Falcon LM561/MA581	T Best 35HEW/45
D Sargent 8204	U Dorma M9000
I Corbin/Russwin ML2055	V Marks 5EW
N Arrow B12	W Cal Royal M8080
P Yale 8805	X PDQ MR148
S Schlage L9080	

*Note: 2 locking hubs required for 7830/7832

Function and Electrical Mode

--	--	--	--	--	--

7830 Locked both sides, failsafe. Field reversible to failsecure mode.
7850 Locked outside only, failsafe. Field reversible to failsecure mode.
7832 Locked both sides, failsecure. Field reversible to failsafe mode.
7852 Locked outside only, failsecure. Field reversible to failsafe mode.
Z7835 Locked outside and/or inside. Outside failsecure, inside failsafe (7835 function available with "Z" SDC brand lockset only)

Voltage - Z7835 Only

--	--	--	--	--	--

Specify voltage for Z7835 function only. Leave blank for all other functions which are 12/24VDC, field selectable

12 12VDC
24 24VDC

Specify Hand

--	--	--	--	--	--

L Left hand **LR** Left hand reverse All hands are field reversible
R Right hand **RR** Right hand reverse without disassembly

SDC is not a licensee of, or affiliated or connected with ASSA/Abloy, Yale Security, Corbin-Russwin, Sargent Manufacturing Company, Ingersoll-Rand, Schlage Lock Company, Best Lock Company, PDQ, Cal Royal, Marks USA, Dorma, Arrow Lock company, Falcon Lock Company, or any of their subsidiaries or affiliates.

Finish

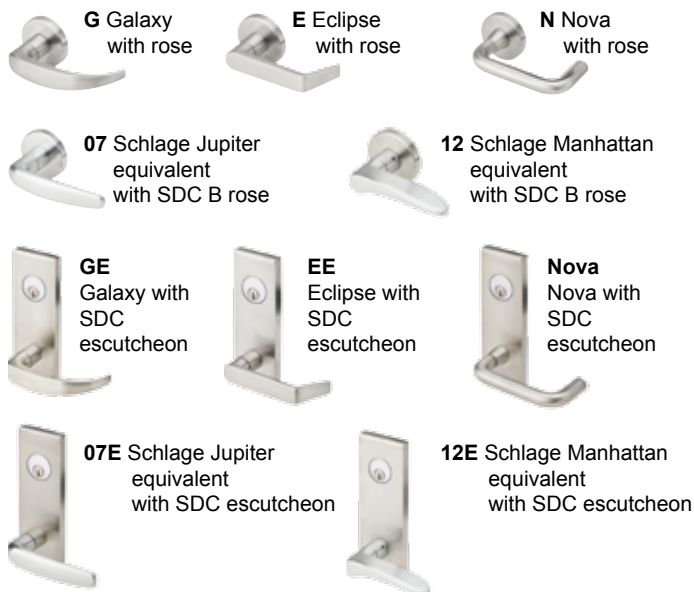
--	--	--	--	--	--

Q 626 Dull Chrome (standard)
C 605 Bright Brass **H** 613 Oil Rubbed Bronze
D 606 Dull Brass **P** 625 Bright Chrome
F 611 Bright Bronze **S** 629 Bright Stainless Steel
G 612 Dull Bronze **U** 630 Dull Stainless Steel

Lever Trim

--	--	--	--	--	--

Specify with source Z SDC brand locksets only



Options

Optional Outputs

R Request-to-exit. Indicates inside lever operation for access control request-to-exit input, alarm shunt, remote annunciation or CCTV activation, SPDT 5 Amp @ 30VDC
Available with locks A, D, I, N, P, S, T, U, S, V and Z only

D Door position status output. Indicates door open and door closed. SPDT 5 Amp @ 30VDC.
Available with locks Z and S only

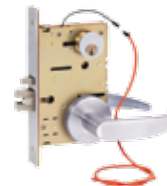
S Latched & locked status output. Indicates door latched and locked and door unlocked. SPDT 5 Amp @ 30VDC
Available with locks Z and S only

Consult factory for recent updates of option availability with any model

Optional Cable and Connectors

CC1-5 5ft. Cable & connectors for locks without optional outputs

CC3-5 5ft. Cable & connectors for locks with optional outputs



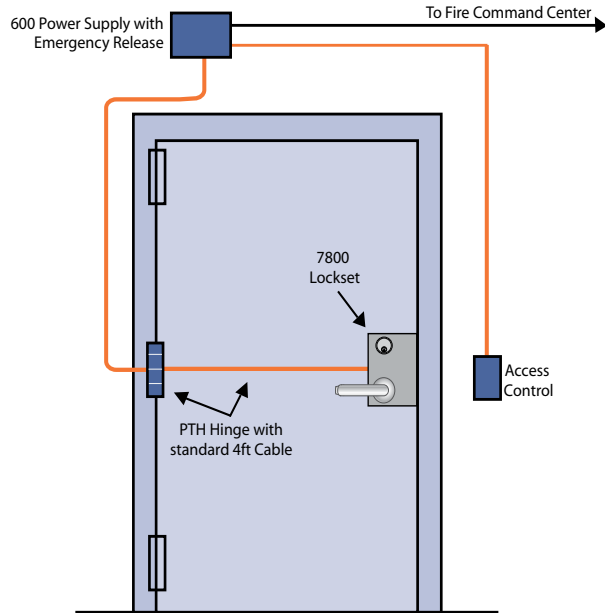
Optional Key Cylinders

1 required for 7850/7852 2 required for 7830/7832

CYL-6KDDQ 6 pin, 1-1/8" keyed different, 626 Dull Chrome

CYL-6KAAQ 6 pin, 1-1/8" keyed alike, 626 Dull Chrome





PTH Power Transfer Hinge

Features

- UL10B Listed for 3 Hr Fire Doors. If the hinge you are presently using does not bear the F mark, it is not listed for use with fire doors.
- 500,000 cycles. 5 times UL test criteria
- Wire Replacement Warranty
- 5ft wire cable

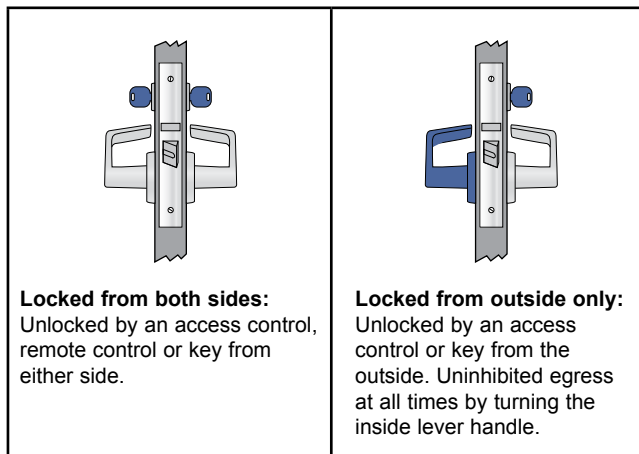
Application

Installed in the center hinge position of the door, PTH Power Transfer Hinges provide the concealed wires required between the door and the frame, for the purpose of powering and monitoring electric door hardware.

Uses Include

- Electric Lock Power and Control
- Door and Lock Status Signaling
- Request-to-Exit Signaling

SDC Z7800 Field Selectable Function



Specifications

Dual Voltage: 600/300 mA @ 12/24VDC
Mode: Field Reversible, Failsafe/Failsecure
Door Thickness: 1-3/4" standard
Door Preparation: ANSI A156.13
Latch Bolt: 3/4" anti-friction bolt with auxiliary deadlatch
Backset: 2-3/4"
Strike: 4-7/8" (standard)
Key Override: 6 PIN, 1-1/4" Mortise cylinder with Schlage 'C' keyway (optional)

Ordering Information

Model

- PTH-4** Four conductor hinge, 1 Amp @ 12/24V per pair, 4-1/2" x 4-1/2" five knuckle standard weight
- PTH-10** Ten conductor hinge, 1 Amp @ 12/24V per pair, 4-1/2" x 4-1/2" standard weight

Consult factory for 3 knuckle, or special sizes

Finish

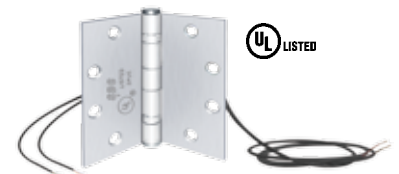
All base material steel

- Q** 626 Dull Chrome (standard) **H** 613 Oil Rubbed Bronze
C 605 Bright Brass **P** 625 Bright Chrome

Options

PTH hinge with door position switch

- DPS** Concealed Door Position Switch
 SPDT, 250mA @ 30VDC



Concealed Electric Power Transfer

**PTM Heavy Duty Series
Electric Power Transfer Device**

SDC's heavy duty Electric Power Transfer Device provides a concealed and secure means of transferring electric lock and exit device power and signal wires from the frame to the door. Completely concealed when the door is closed the PTM Electric Power Transfer Device is ideal for heavy traffic and applications requiring higher security to inhibit tampering and abuse.



2 Conductor: Two (2) 18 Ga. wires, 5 Amp @ 12/24 V AC/DC

- PTM-2AL** Aluminum Powder Coat, US28 equivalent
- PTM-2BZ** Dark Brown Powder Coat, US10B equivalent

10 Conductor: Ten (10) 24 Ga. wires, 1 Amp @ 12/24V AC/DC

- PTM-10AL** Aluminum Powder Coat, US28 equivalent
- PTM-10BZ** Dark Brown Powder Coat, US10B equivalent

Fire Rated Concealed Mortise Power Transfer

PT-5 Concealed Mortise Mount Power Transfer Loop
Frame mortised steel dust box with flexible steel loop and chrome finish. Recommended for use with hollow metal frames. UL Listed

Dimensions: 11.5"H x 1"W x 0.75"D (292 x 25.4 x 19mm)

UL LISTED 10B Listed For
3 Hrs Fire Rated Doors

PT-5



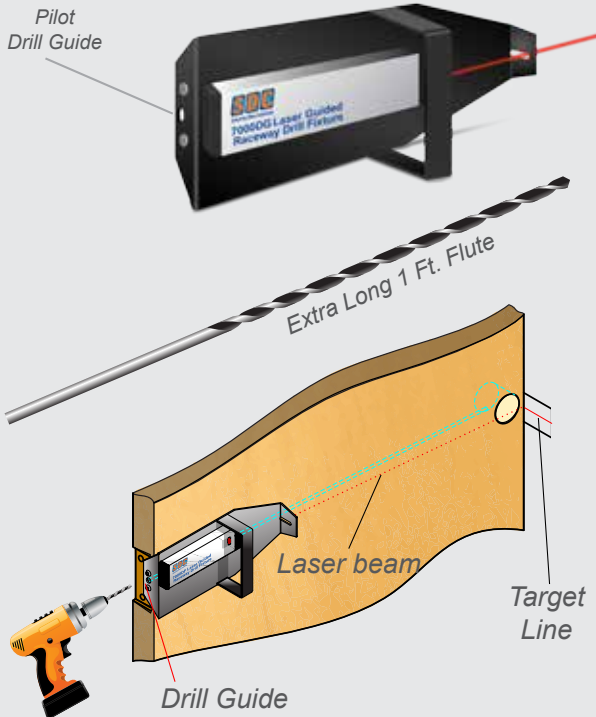
Power Transfer Loops

18" (447mm) stainless steel armored flex conduit with small plastic end caps or termination box. Recommended for use with hollow metal and aluminum frames.

- PT-2U** With end caps
- PT-3V** With aluminum wire termination box



Laser Guided Drill Fixture Kit



The 7000-DGK Kit includes:

- **Laser Guided Door Core Raceway Fixture**
- **1/4" x 6" Pilot Drill Bit**
- **3/8" x 50" Door Raceway Drill Bit**
Custom designed evacuator drill bit, tool sharpened with 1' extra long flutes
- **Fiberglass Wire Running Kit**
Flexible acrylic end connection
Brass hook end for pulling
Brass eye end for pushing
- **Door Wedge**
- **Kit Carry Case**

Features

The SDC laser guided door core drill assembly provides an economical method of wire preparation for particle filled or solid wood doors to accommodate the installation of electrified locksets, exit devices and hinges

Model

- 7000-DGK** Door Core Drill Guide Kit
- 7000-DB3/8** 3/8" x 4 Ft. Drill Bit Replacement