

NDC-455 FlexiDome IP Cameras

www.boschsecurity.com



BOSCH
Invented for life



- ▶ 1/3-inch color CCD with progressive scan
- ▶ Quad streaming
- ▶ Flexible recording options
- ▶ Intelligence at the edge
- ▶ ONVIF conformant

FlexiDome IP cameras are progressive scan CCD color cameras in a compact, high-impact rated, vandal-resistant housing.

They can Quad-stream video simultaneously – two H.264 streams, an I-frame recording stream and an M-JPEG stream. Features such as multicasting, internet streaming and iSCSI recording are fully supported. FlexiDome IP cameras have built-in video motion detection and additional processing power for video content analysis systems.

FlexiDome IP cameras include picture performance enhancements such as NightSense for low-light scenes and Autoblack for low contrast scenes.

Supported by the award-winning Dinion digital imaging technology, they provide a proven, dependable solution for many security and surveillance requirements.

Functions

Progressive scan

To capture sharp images, even in busy scenes with high motion content, the Dinion camera uses progressive scan technology.

A quality image

With a 1/3-inch color CCD and Bosch's advanced digital signal processing, the FlexiDome IP provides professional image quality. Automatically activate the NightSense feature to extend sensitivity under low-light conditions by a factor of three in monochrome operation. Autoblack improves the overall contrast of an image in low contrast scenes, such as foggy weather conditions.

Efficient bandwidth and storage management

The cameras use H.264 (Main Profile) compression, bandwidth throttling, and multicasting capabilities to manage bandwidth and storage requirements efficiently, while delivering high image quality and resolution.

Bosch's innovative Quad-streaming feature enables the FlexiDome IP to deliver three H.264 streams (two 4CIF streams and an I-frame only stream) together with an M-JPEG stream. These four streams facilitate bandwidth-efficient viewing and recording options as well as integration with third-party video management systems.

FlexiDome IP cameras offer unparalleled recording options. Attached to the network, they can use iSCSI targets directly without any additional recording

software. The recording capabilities of the system can be further enhanced by using the Bosch Video Recording Manager.

The camera also supports local recording on a microSD card. This can be used for local alarm recording or for Automatic Network Replenishment (ANR) to improve the overall reliability of video recording.

Standard intelligence

With built-in video content analysis, the camera reinforces the Intelligence-at-the-Edge concept where edge devices become increasingly intelligent. The MOTION+ video motion analysis system, which is built into all camera versions, is the perfect solution for applications where basic video content analysis features are required. This motion analysis algorithm is based on pixel change and includes object size filtering capabilities and sophisticated tamper-detection capabilities.

Hardware enhanced

The hardware-enhanced version of the camera gives you the opportunity to upgrade the video content analysis features of the camera with the more advanced Intelligent Video Analysis (IVA) option. This option bases the IVA algorithm on digital imaging technology that uses multi-level image analysis of pixels, texture, and object direction, and is activated by installing a license.

ONVIF conformance

The camera conforms to the ONVIF (Open Network Video Interface Forum) specification which guarantees interoperability between network video products regardless of manufacturer. ONVIF conformant devices are able to exchange live video, audio, metadata and control information. They are automatically discovered and connected to network applications such as video management systems.

Tough design

The cast-aluminum housing, polycarbonate dome, and hardened inner liner can withstand the equivalent of 55 kg (120 lbs) of force. The enclosure contains the full-featured camera and integral varifocal lens. Ideal for outdoor use, the cameras are protected against water and dust to IP 66 (NEMA-4X) standards. The camera enclosure provides the extra protection necessary for applications such as schools, banks, prisons, parking garages, retail and industrial buildings.

Installation is quick and easy, as the camera comes completely assembled and ready to use. Using the proprietary pan/tilt/rotation mechanism, installers can select the exact field of view. Mounting options are numerous, including surface, wall, corner and suspended ceiling. The compact, sleek design and virtually flush-mount appearance complements any decor.

Unsurpassed flexibility

There are many ways to access the camera's video: on a PC using a web browser, with the Bosch Video Management System, or with the Bosch Video Client. The camera is also ideal for use with a Divar 700 Series digital video recorder. By routing a video stream to a Bosch video decoder, you can also present the video with ultimate clarity on an analog monitor.

Cost effective, simple installation

Three power options, PoE (Power-over-Ethernet), 24 VAC and 12 VDC are available. Using PoE makes installation easier and more cost-effective, as cameras do not require a local power source. To increase system reliability, the camera can be simultaneously connected to both PoE and 12 VDC/24 VAC supplies. Additionally, uninterruptible power supplies (UPS) can be used which allow continuous operation even during a power failure.

For trouble free network cabling, the cameras support Auto-MDIX.

FlexiDome IP cameras can be configured using the control buttons on the camera as an alternative to configuration over IP. Network parameters and basic camera set-up, such as lens set-up and back focus, are quickly and easily performed using the on-screen displays (OSD) and analog video service output.

Easy Upgrade

Remotely upgrade the camera whenever new firmware becomes available. This ensures up-to-date products, thus protecting investment with little effort.

Access Security

Various security levels are available for accessing the network, the camera, and the data channels. As well as password protection with three levels, 802.1x authentication using a RADIUS is supported. To secure Web browser access use HTTPS with a SSL certificate stored in the camera. For total data protection, the video and audio communication channels can be independently AES encrypted with 128-bit keys by installing the optional Encryption Site License.

Typical applications

- Museums and art galleries
- Shopping centers
- Offices
- Schools, colleges and universities
- Petrol / gas station

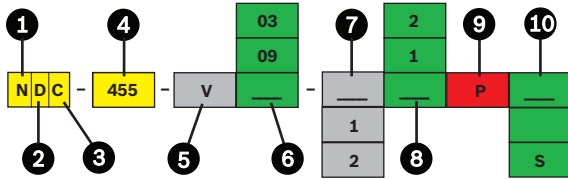
Certifications and Approvals

Electro Magnetic Compatibility

Emission	EN55022 Class B EN61000-3-2 EN61000-3-3 CFR. 47 FCC Part 15: class B
Immunity	EN50130-4 (PoE, +12 VDC) EN55024 (24 VAC) EN50121-4

Safety	EN60950-1 UL60950-1 (2nd edition) CAN/CSA-C 22.2 No. 60950-1	
Vibration	As per IEC60068-2-6 (5 m/s ² , operational)	
Region	Certification	
Europe	CE	Declaration of Conformity
USA	FCC	+ UL

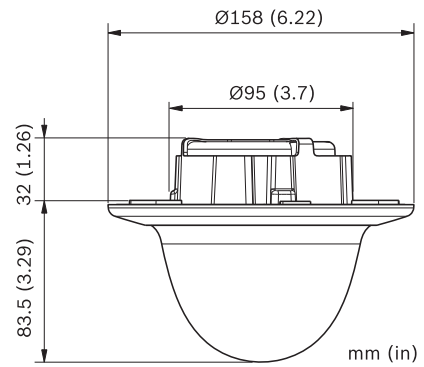
Installation/Configuration Notes



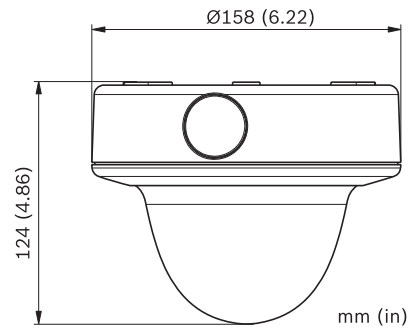
1	N	Network camera
2	D	Dome (FlexiDome fixed dome)
3	C	Color
4	455	Dinion performance
5	V	Varifocal lens, auto iris
6	03	2.8 to 10 mm F1.2
	09	9 to 22 mm F1.4
7	1	PAL 50 Hz
	2	NTSC 60 Hz
8	1	Motion+
	2	IVA ready*
	2I	IVA enabled
9	P	PoE
10	1	Flush mount (blank)
	0	
	S	Surface mount

* No license included

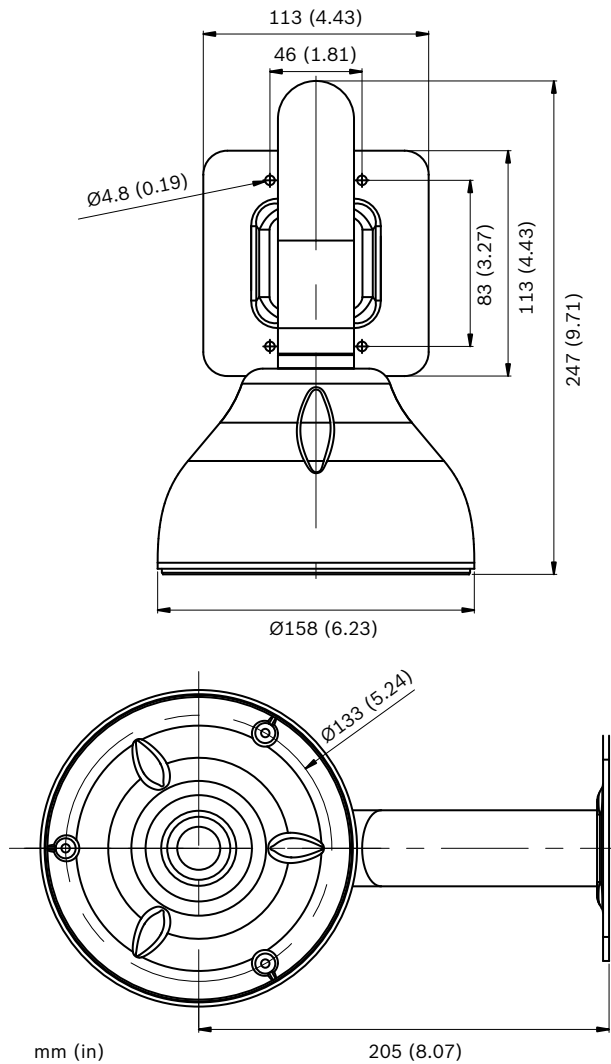
Flush Mounting



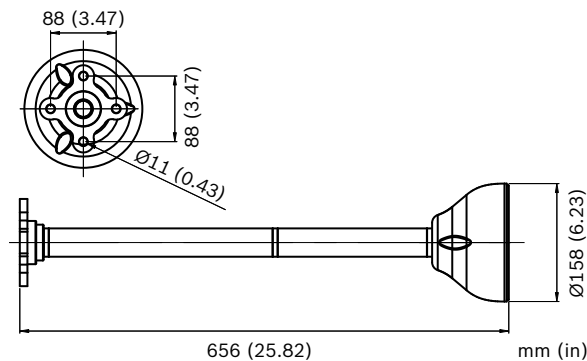
Surface Mounting



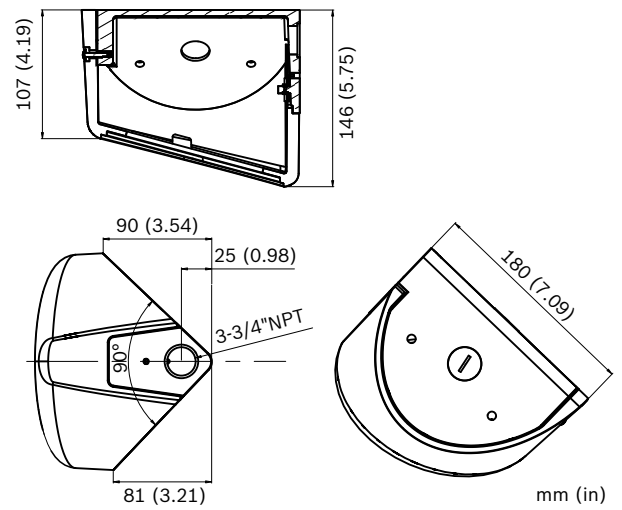
VDA-WMT-DOME –Pendant Wall Mount



VDA-PMT-DOME –Pendant Pipe Mount



VDA-CMT-DOME –Corner Mount



Parts Included

Quantity	Component
1	NDC-455 Series FlexiDome IP Camera
1	Lens adjustment cap (focus aid)
1	Safety instructions
1	Quick Install Guide
1	Mini DVD-ROM with manuals, software, and tools
1	Mounting hardware kit + screwdriver bit
1	RJ45 network connector
1	Template for flush mount

i Notice
 MicroSD card is not included in a standard delivery.

Technical Specifications

Electrical

Model No.	Rated Voltage	Rated Frequency
NDC-455Vxx-1xP	24 VAC ±10%	50 Hz
	12 VDC ±10%	
NDC-455Vxx-2xP	Power-over-Ethernet	
	24 VAC ±10%	60 Hz
	12 VDC ±10%	
	Power-over-Ethernet	

Current Consumption	500 mA 650 mA IVA (12 VDC) 500 mA 650 mA IVA (24 VAC) 200 mA (PoE 48 VDC)
Power Consumption	6 W 7.8 W IVA (12 VDC) 7.4 W 9.7 W IVA (24 VAC) 9.6 W (PoE 48 VDC)
Sensor	
Type	1/3-inch, CCD
Active Pixels (PAL)	752 x 582
Active Pixels (NTSC)	768 x 494
Video	
Video compression	H.264 (ISO/IEC 14496-10); M-JPEG, JPEG
Data rate	9.6 Kbps to 6 Mbps
Resolution	Horizontal x vertical (PAL/NTSC ips)
• 4CIF	704 x 576/480 (25/30 ips)
• CIF	352 x 288/240 (25/30 ips)
Overall IP Delay	Min. 120 ms, Max. 240 ms
GOP structure	I, IP, IBBP
Frame rate	1 to 50/60 (PAL/NTSC) H.264 1 to 25/30 (PAL/NTSC) M-JPEG
Video Out	
Signal	Analog composite (NTSC or PAL) for service
Connector	2.5 mm jack, 75 Ohm
Horizontal resolution	540 TVL
Video S/N	50 dB

Sensitivity (3200 K, scene reflectivity 89%)

	Full video (100 IRE)	Usable picture (50 IRE)	Minimum illumination (30 IRE)
NDC-455V03 (F1.2)			
Color	2.6 lx (0.26 fc)	0.65 lx (0.065 fc)	0.30 lx (0.03 fc)
NightSense	1.04 lx (0.104 fc)	0.26 lx (0.026 fc)	0.012 lx (0.0012 fc)
NDC-455V09 (F1.4)			
Color	2.9 lx (0.29 fc)	0.75 lx (0.075 fc)	0.37 lx (0.037 fc)
NightSense	1.25 lx (0.13 fc)	0.30 lx (0.03 fc)	0.14 lx (0.014 fc)

Color/NightSense	Auto, Forced
Signal-to-noise Ratio	> 50 dB
Dynamic Range	60 dB (10-bit processing)
BLC	Center window weighting
Gain	20 dB (max)
White Balance	ATW, ATWHold (2500 to 10000 K)
Shutter	Auto (1/50 [1/60] to 1/50000) automatic flickerless, fixed selectable
Auto Black	Automatic continuous, Off
Privacy Masking	Four independent areas, fully programmable
Video Motion Analysis	Motion+ or IVA
Test Pattern Generator	Color bars 100%, Grayscale 11-step, Sawtooth 2H, Checker board, Cross hatch, UV plane
Synchronization	Internal, Line Lock, selectable
Controls	OSD with soft-key operation (multi-lingual)

Audio

Standard G.711	300 Hz to 3.4 kHz at 8 kHz sampling rate
Signal-to-noise ratio	> 50 dB

Input/output

Audio	1 x mono line in, 1 x mono line out
• signal line in	9 kOhm typical, 5.5 Vpp max
• signal line out	3.0 Vpp at 10 kOhm typical, 2.3 Vpp at 32 Ohm typical, 1.7 Vpp at 16 Ohm typical
Alarm	1 non-isolated closing contact
• activation voltage	+5 VDC to +40 VDC (+3.3 VDC with DC-coupled 22 kOhm pull-up resistor)
Relay	1 output
• voltage	30 VAC or +40 VDC Maximum 0.5 A continuous, 10VA

Software Control

Unit Configuration	Via web browser or Configuration Manager
Flicker Control	50/60 Hz, selectable
Software update	Flash ROM, remote programmable

Network and Storage

Protocols	RTP, Telnet, UDP, TCP, IP, HTTP, HTTPS, FTP, DHCP, IGMP V2/V3, ICMP, ARP, SMTP, SNMP, 802.1x, UPnP
Encryption	TLS 1.0, SSL, AES (optional)
Ethernet	STP, 10/100 Base-T, auto-sensing, half/full duplex, RJ45
PoE supply	IEEE 802.3af compliant
Local Storage	Supports microSD cards (SDHC)

Optical

Varifocal lens	IR corrected, manual zoom and focus adjustment
Iris control	Automatic iris control
Viewing angle	
2.8 to 10 mm	Wide 100.8° x 73.7° (H x V) Tele 28.5° x 21.4° (H x V)
9 to 22 mm	Wide: 31.2° x 22.8° (H x V) Tele: 12.8° x 9.6° (H x V)

Mechanical

Weight	0.67 kg (1.48 lb) +SMB: 1.29 kg (2.84 lb)
Mounting	Flush mount or surface mount
Color	White (RAL9010) trim ring with black inner liner
Adjustment range	360° pan, 90° tilt, ±90° azimuth
Dome bubble	Polycarbonate, clear with UV blocking anti-scratch coating
Trim ring	Aluminum

Environmental

Operating temperature default (with heater off)	-20 °C to +50 °C (-4 °F to +122 °F) cold start
Operating temperature (with heater on)	-50 °C to +50 °C (-58 °F to +122 °F)
Storage temperature	-50 °C to +70 °C (-58 °F to +158 °F)
Operating humidity	5% to 93% relative humidity
Storage humidity	Up to 98% relative humidity
Impact protection	IEC 60068-2-75 test Eh, 50 J EN 50102, exceeding IK 10
Water/dust protection	IP 66 and NEMA-4X

Ordering Information**NDC-455V03-11P FlexiDome Color IP Camera**

Vandal resistant, 1/3-inch Progressive Scan, H.264, 2.8 to 10 mm Varifocal lens, PAL, 50 Hz, PoE, Flush mount, microSD slot

Order number **NDC-455V03-11P**

NDC-455V03-21P FlexiDome Color IP Camera

Vandal resistant, 1/3-inch Progressive Scan, H.264, 2.8 to 10 mm Varifocal lens, NTSC, 60 Hz, PoE, Flush mount, microSD slot

Order number **NDC-455V03-21P**

NDC-455V03-12P FlexiDome Color IP Camera

Vandal resistant, 1/3-inch Progressive Scan, H.264, 2.8 to 10 mm Varifocal lens, PAL, 50 Hz, PoE, Flush mount, microSD slot, IVA ready

Order number **NDC-455V03-12P**

NDC-455V03-22P FlexiDome Color IP Camera

Vandal resistant, 1/3-inch Progressive Scan, H.264, 2.8 to 10 mm Varifocal lens, NTSC, 60 Hz, PoE, Flush mount, microSD slot, IVA ready

Order number **NDC-455V03-22P**

NDC-455V03-12IP FlexiDome Color IP Camera

Vandal resistant, 1/3-inch Progressive Scan, H.264, 2.8 to 10 mm Varifocal lens, PAL, 50 Hz, PoE, Flush mount, microSD slot, IVA enabled

Order number **NDC-455V03-12IP**

NDC-455V03-22IP FlexiDome Color IP Camera

Vandal resistant, 1/3-inch Progressive Scan, H.264, 2.8 to 10 mm Varifocal lens, NTSC, 60 Hz, PoE, Flush mount, microSD slot, IVA enabled

Order number **NDC-455V03-22IP**

NDC-455V09-11P FlexiDome Color IP Camera

Vandal resistant, 1/3-inch Progressive Scan, H.264, 9 to 22 mm Varifocal lens, PAL, 50 Hz, PoE, Flush mount, microSD slot

Order number **NDC-455V09-11P**

NDC-455V09-21P FlexiDome Color IP Camera

Vandal resistant, 1/3-inch Progressive Scan, H.264, 9 to 22 mm Varifocal lens, NTSC, 60 Hz, PoE, Flush mount, microSD slot

Order number **NDC-455V09-21P**

NDC-455V09-12P FlexiDome Color IP Camera

Vandal resistant, 1/3-inch Progressive Scan, H.264, 9 to 22 mm Varifocal lens, PAL, 50 Hz, PoE, Flush mount, microSD slot, IVA ready

Order number **NDC-455V09-12P**

NDC-455V09-22P FlexiDome Color IP Camera

Vandal resistant, 1/3-inch Progressive Scan, H.264, 9 to 22 mm Varifocal lens, NTSC, 60 Hz, PoE, Flush mount, microSD slot, IVA ready

Order number **NDC-455V09-22P**

NDC-455V09-12IP FlexiDome Color IP Camera

Vandal resistant, 1/3-inch Progressive Scan, H.264, 9 to 22 mm Varifocal lens, PAL, 50 Hz, PoE, Flush mount, microSD slot, IVA enabled

Order number **NDC-455V09-12IP**

NDC-455V09-22IP FlexiDome Color IP Camera

Vandal resistant, 1/3-inch Progressive Scan, H.264, 9 to 22 mm Varifocal lens, NTSC, 60 Hz, PoE, Flush mount, microSD slot, IVA enabled

Order number **NDC-455V09-22IP**

NDC-455V03-11PS FlexiDome Color IP Camera

Vandal resistant, 1/3-inch Progressive Scan, H.264, 2.8 to 10 mm Varifocal lens, PAL, 50 Hz, PoE, Surface mount, microSD slot

Order number **NDC-455V03-11PS**

NDC-455V03-21PS FlexiDome Color IP Camera

Vandal resistant, 1/3-inch Progressive Scan, H.264, 2.8 to 10 mm Varifocal lens, NTSC, 60 Hz, PoE, Surface mount, microSD slot

Order number **NDC-455V03-21PS**

NDC-455V03-12PS FlexiDome Color IP Camera

Vandal resistant, 1/3-inch Progressive Scan, H.264, 2.8 to 10 mm Varifocal lens, PAL, 50 Hz, PoE, Surface mount, microSD slot, IVA ready

Order number **NDC-455V03-12PS**

NDC-455V03-22PS FlexiDome Color IP Camera

Vandal resistant, 1/3-inch Progressive Scan, H.264, 2.8 to 10 mm Varifocal lens, NTSC, 60 Hz, PoE, Surface mount, microSD slot, IVA ready

Order number **NDC-455V03-22PS**

NDC-455V03-12IPS FlexiDome Color IP Camera

Vandal resistant, 1/3-inch Progressive Scan, H.264, 2.8 to 10 mm Varifocal lens, PAL, 50 Hz, PoE, Surface mount, microSD slot, IVA enabled

Order number **NDC-455V03-12IPS**

NDC-455V03-22IPS FlexiDome Color IP Camera

Vandal resistant, 1/3-inch Progressive Scan, H.264, 2.8 to 10 mm Varifocal lens, NTSC, 60 Hz, PoE, Surface mount, microSD slot, IVA enabled

Order number **NDC-455V03-22IPS**

NDC-455V09-11PS FlexiDome Color IP Camera

Vandal resistant, 1/3-inch Progressive Scan, H.264, 9 to 22 mm Varifocal lens, PAL, 50 Hz, PoE, Surface mount, microSD slot

Order number **NDC-455V09-11PS**

NDC-455V09-21PS FlexiDome Color IP Camera

Vandal resistant, 1/3-inch Progressive Scan, H.264, 9 to 22 mm Varifocal lens, NTSC, 60 Hz, PoE, Surface mount, microSD slot

Order number **NDC-455V09-21PS**

NDC-455V09-12PS FlexiDome Color IP Camera

Vandal resistant, 1/3-inch Progressive Scan, H.264, 9 to 22 mm Varifocal lens, PAL, 50 Hz, PoE, Surface mount, microSD slot, IVA ready

Order number **NDC-455V09-12PS**

NDC-455V09-22PS FlexiDome Color IP Camera

Vandal resistant, 1/3-inch Progressive Scan, H.264, 9 to 22 mm Varifocal lens, NTSC, 60 Hz, PoE, Surface mount, microSD slot, IVA ready

Order number **NDC-455V09-22PS**

NDC-455V09-12IPS FlexiDome Color IP Camera

Vandal resistant, 1/3-inch Progressive Scan, H.264, 9 to 22 mm Varifocal lens, PAL, 50 Hz, PoE, Surface mount, microSD slot, IVA enabled

Order number **NDC-455V09-12IPS**

NDC-455V09-22IPS FlexiDome Color IP Camera

Vandal resistant, 1/3-inch Progressive Scan, H.264, 9 to 22 mm Varifocal lens, NTSC, 60 Hz, PoE, Surface mount, microSD slot, IVA enabled

Order number **NDC-455V09-22IPS**

Accessories**VDA-455SMB**

Surface mount box, high impact for VDC-455, VDM-455, VDC-485, VDN-498, NDC-455 and NDN-498

Order number **VDA-455SMB**

VDA-WMT-DOME Wall Pendant Mount Bracket

Wall pendant mount bracket for FlexiDome cameras

Order number **VDA-WMT-DOME**

VDA-CMT-DOME Corner Mount Bracket

Corner mount bracket for FlexiDome cameras

Order number **VDA-CMT-DOME**

VDA-PMT-DOME Pendant Pipe Mount Bracket

Pendant pipe mount bracket for FlexiDome cameras

Order number **VDA-PMT-DOME**

S1460 Service/Monitor Cable

for FlexiDome analog and IP (2.5 mm connector to BNC), 1 m

Order number **S1460**

UPA-2410-60 Power Supply

120 VAC, 60 Hz, 24 VAC, 10 VA Out

Order number **UPA-2410-60**

UPA-2430-60 Power Supply

120 VAC, 60 Hz, 24 VAC, 30 VA Out

Order number **UPA-2430-60**

UPA-2450-60 Power Supply, 120 V, 60 Hz

Indoor, 120 VAC, 60 Hz In; 24 VAC, 50 VA Out

Order number **UPA-2450-60**

UPA-2420-50 Power Supply

220 VAC, 50 Hz, 24 VAC, 20 VA Out

Order number **UPA-2420-50**

UPA-2450-50 Power Supply, 220 V, 50 Hz

Indoor, 220 VAC, 50 Hz In; 24 VAC, 50 VA Out

Order number **UPA-2450-50**

VDA-455TBL Tinted bubble

Tinted bubble for FlexiDome series

Order number **VDA-455TBL**

VDA-455CBL Clear bubble

Clear Bubble for FlexiDome series

Order number **VDA-455CBL**

Software Options

MVC-FIVA4-CAM

IVA 4.x VCA software license for IP camera/dome (e-license)

Order number **MVC-FIVA4-CAM**

MVS-FENC-AES BVIP AES 128 Bit Encryption

BVIP AES 128-bit encryption site license. This license is required only once per installation. It enables encrypted communication between BVIP devices and management stations.

Order number **MVS-FENC-AES**

Represented by:

Americas:

Bosch Security Systems, Inc.
130 Perinton Parkway
Fairport, New York, 14450, USA
Phone: +1 800 289 0096
Fax: +1 585 223 9180
security.sales@us.bosch.com
www.boschsecurity.us

Europe, Middle East, Africa:

Bosch Security Systems B.V.
P.O. Box 80002
5617 BA Eindhoven, The Netherlands
Phone: + 31 40 2577 284
Fax: +31 40 2577 330
emea.securitysystems@bosch.com
www.boschsecurity.com

Asia-Pacific:

Robert Bosch (SEA) Pte Ltd, Security Systems
11 Bishan Street 21
Singapore 573943
Phone: +65 6571 2808
Fax: +65 6571 2699
apr.securitysystems@bosch.com
www.boschsecurity.asia

China:

Bosch (Shanghai) Security Systems Ltd.
201 Building, No. 333 Fuquan Road
North IBP
Changning District, Shanghai
200335 China
Phone +86 21 22181111
Fax: +86 21 22182398
www.boschsecurity.com.cn

America Latina:

Robert Bosch Ltda Security Systems Division
Via Anhanguera, Km 98
CEP 13065-900
Campinas, Sao Paulo, Brazil
Phone: +55 19 2103 2860
Fax: +55 19 2103 2862
al.securitysystems@bosch.com
www.boschsecurity.com