

NBN-498 Dinion2X Day/Night IP Cameras

www.boschsecurity.com



BOSCH

Invented for life



- ▶ 1/3-inch Day/Night CCD with progressive scan
- ▶ 20-bit image processing technology
- ▶ Wide Dynamic Range, 2X-dynamic engine and SmartBLC
- ▶ Quad streaming
- ▶ Flexible recording options

Dinion2X Day/Night IP cameras are progressive scan CCD cameras. They can quad-stream video simultaneously – on two H.264 streams, an I-frame recording stream, and an M-JPEG stream. Equipped with 20-bit DSP with 2X-dynamic, they have a wide dynamic range for a sharper, more detailed image with outstanding color reproduction.

Features such as multicasting, internet streaming and iSCSI recording are fully supported. Dinion2X Day/Night IP cameras have built-in video motion detection and additional processing power for video content analysis systems.

Supporting the award-winning Dinion2X digital imaging technology, they provide proven, dependable service for the most demanding security and surveillance requirements, day or night.

Functions

Progressive scan

To capture sharp images, even in busy scenes with high motion content, the Dinion camera uses progressive scan technology.

Superior image quality

With a 1/3-inch CCD and Bosch's advanced digital signal processing, the Dinion2X Day/Night IP camera provides outstanding image quality in virtually all situations. The highly accurate 20-bit digital signal is

automatically processed to reveal every detail of the image in both the high and low-light areas of the scene simultaneously.

20-bit Image Processing

The highly accurate digital signal processing optimally captures the detail in both bright highlights and deep shadows simultaneously. By combining 20-bit image processing and wide dynamic range, the Dinion2X maximizes the information visible in the picture even with strong backlight.

Wide Dynamic Range

The superior wide dynamic range performance for all lighting conditions reveals details previously unseen.

2X-Dynamic and SmartBLC

Using 2X-Dynamic technology, pixel-by-pixel analysis provides the user with the most detailed information. Turn on SmartBLC to automatically compensate the image without the need for complicated set-up or without compromising dynamic range. Features such as AutoBlack and Sharpness further improve the details in a scene, pixel by pixel.

Programmable Modes

Six independent, pre-programmed operating modes support typical applications, but are fully programmable for individual situations.

Day/Night switching

In night mode, the camera enhances low light viewing by switching the IR (infrared) filter out of the optical path and providing a monochrome image. The camera can switch from color to monochrome mode automatically by sensing the illumination level, manually via the alarm input, or remotely via a web browser. An internal, through-the-lens IR detector enhances monochrome mode stability by preventing the camera from returning to color mode when IR-illumination is dominant.

Privacy masking

Four different privacy zones allow specific parts of a scene to be blocked. A mask for any part of the scene can be pre-programmed.

Default Shutter

The default shutter speed captures fast moving objects when sufficient light is available. When light levels fall and other adjustments have been exhausted, the shutter speed reverts to a standard setting to maintain sensitivity.

SensUp Dynamic

By increasing the integration time up to 10 times on the CCD, the effective sensitivity is dramatically enhanced. This is especially useful when relying only on moonlight for illumination.

Efficient bandwidth and storage management

The cameras use H.264 (Main Profile) compression, bandwidth throttling, and multicasting capabilities to manage bandwidth and storage requirements efficiently, while delivering high image quality and resolution.

Bosch's innovative Quad-streaming feature enables the Dinion2X IP to deliver three H.264 streams (two 4CIF streams and an I-frame only stream) together with an M-JPEG stream. These four streams facilitate bandwidth-efficient viewing and recording options as well as integration with third-party video management systems.

Dinion2X IP cameras offer unparalleled recording options. Attached to the network, they can use iSCSI targets directly without any additional recording software. The recording capabilities of the system can be further enhanced by using the Bosch Video Recording Manager.

The camera also supports local recording on a microSD card. This can be used for local alarm recording or for Automatic Network Replenishment (ANR) to improve the overall reliability of video recording.

Standard intelligence

With built-in video content analysis, the camera reinforces the Intelligence-at-the-Edge concept where edge devices become increasingly intelligent. The MOTION+ video motion analysis system, which is built into all camera versions, is the perfect solution for applications where basic video content analysis

features are required. This motion analysis algorithm is based on pixel change and includes object size filtering capabilities and sophisticated tamper-detection capabilities.

Hardware enhanced

The advanced Intelligent Video Analysis (IVA) option bases the IVA algorithm on digital imaging technology that uses multi-level image analysis of pixels, texture, and object direction.

ONVIF conformance

The camera conforms to the ONVIF (Open Network Video Interface Forum) specification which guarantees interoperability between network video products regardless of manufacturer. ONVIF conformant devices are able to exchange live video, audio, metadata and control information. They are automatically discovered and connected to network applications such as video management systems.

Unsurpassed flexibility

There are many ways to access the camera's video: on a PC using a web browser, with the Bosch Video Management System, or with the Bosch Video Client. The camera is also ideal for use with a Divar 700 Series digital video recorder. By routing a video stream to a Bosch video decoder, you can also present the video with ultimate clarity on an analog monitor.

Cost effective, simple installation

Three power options, PoE (Power-over-Ethernet), 24 VAC and 12 VDC are available. Using PoE makes installation easier and more cost-effective, as cameras do not require a local power source. To increase system reliability, the camera can be simultaneously connected to both PoE and 12 VDC/24 VAC supplies. Additionally, uninterruptible power supplies (UPS) can be used, which will allow continuous operation, even during a power failure.

For trouble free network cabling, the cameras support Auto-MDIX.

Dinion IP cameras have a service mode for easy installation using the control buttons and an analog video output on the camera as an alternative to configuration over IP. The service mode is simply activated by pressing a button on the camera. This routes the video to the analog output, bypassing the IP video output. The On-Screen Display (OSD) simplifies back focus adjustment and network configuration, minimizing installation and support costs. The Lens Wizard automatically detects the lens type and helps focus the lens at the maximum opening to maintain proper focus.

Easy Upgrade

Remotely upgrade the camera whenever new firmware becomes available. This ensures up-to-date products, thus protecting investment with little effort.

Access Security

Various security levels are available for accessing the network, the camera, and the data channels. As well as password protection with three levels, 802.1x authentication using a RADIUS is supported. To secure Web browser access use HTTPS with a SSL certificate stored in the camera. For total data protection, the video and audio communication channels can be independently AES encrypted with 128-bit keys by installing the optional Encryption Site License.

Typical applications

- Prisons and correctional facilities
- Traffic monitoring (air, land and sea)
- Hotels, bars and nightclubs
- Commercial and government buildings
- City surveillance and safety
- Border control

Certifications and approvals

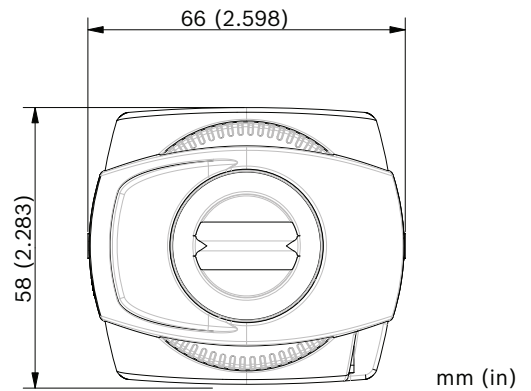
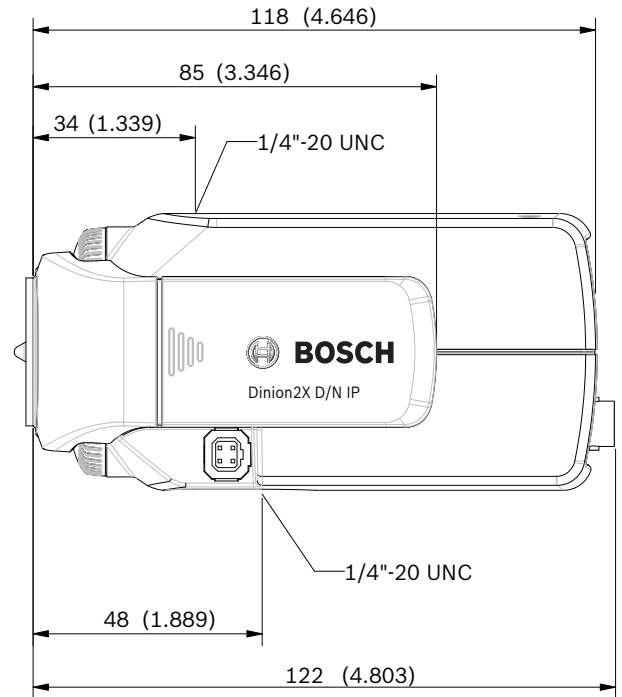
Electro Magnetic Compatibility

Emission	EN55022 Class B EN61000-3-2 EN61000-3-3 FCC Part 15
Immunity	EN50130-4 (PoE, +12 VDC) EN55024 (24 VAC) EN50121-4
Safety	EN60950-1 UL60950-1 (2nd edition) CAN/CSA-C 22.2 No. 60950-1
Vibration	Camera with 500 g (1.1 lb) lens as per IEC60068-2-6 (5 m/s ² , operational)

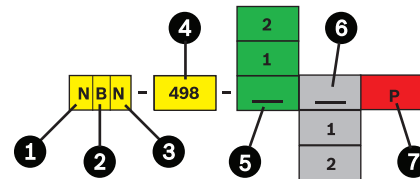
Region	Certification
Europe	CE
USA	FCC + UL

Installation/configuration notes

Dimensions

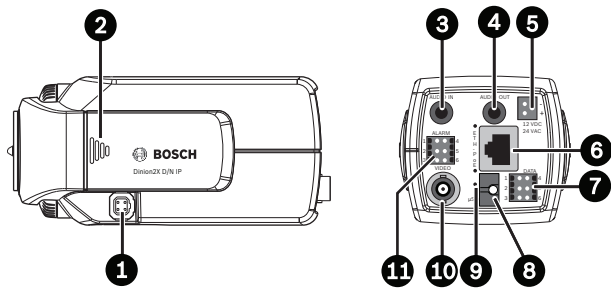


Ordering chart



1	N: Network camera	5	1: PAL, 50 Hz 2: NTSC, 60Hz
2	B: Fixed body	6	1: Motion+ 2: IVA enabled
3	N: Day/Night	7	P: PoE
4	498: Dinion2X performance		

Controls



1	Lens connector	7	Data (RS485/422/232)
2	Control buttons	8	MicroSD card slot
3	Audio in	9	Reset button
4	Audio out	10	BNC video output (service mode)
5	Power supply input	11	Alarm in, relay out
6	10/100 Base-T Fast Ethernet		

Parts included

Quantity	Components
1	NBN-498 Series Dinion2x Day/Night IP Camera
1	Spare lens connector
1	Safety Instructions
1	Quick Install Guide
1	Mini DVD-ROM with manuals, software and tools
1	Power connector
1	Alarm I/O connector
1	Data connector

Lens and microSD card are not included in a standard delivery.

Technical specifications

Electrical

Model No.	Rated Voltage	Rated Frequency
NBN-498-1xP	24 VAC ±10%	50 Hz
	12 VDC ±10%	
NBN-498-2xP	Power-over-Ethernet	
	24 VAC ±10%	60 Hz
	12 VDC ±10%	
	Power-over-Ethernet	
Current Consumption	550 mA 650 mA IVA (12 VDC) 550 mA 650 mA IVA (24 VAC) 200 mA 250 mA IVA (PoE 48 VDC)	

Power Consumption	6.6 W 7.8 W IVA (12 VDC) 8.2 W 9.7 W IVA (24 VAC) 9.6 W (PoE 48 VDC)
-------------------	--

Sensor	
Type	1/3-inch CCD, WDR, dual shutter
Active Pixels (PAL)	752 x 582
Active Pixels (NTSC)	768 x 494

Video	
Video compression	H.264 (ISO/IEC 14496-10); M-JPEG, JPEG
Data rate	9.6 Kbps to 6 Mbps
Resolution	Horizontal x vertical (PAL/NTSC ips)
4CIF	704 x 576/480 (25/30 ips)
CIF	352 x 288/240 (25/30 ips)

Overall IP Delay	Min. 120 ms, Max. 240 ms
------------------	--------------------------

GOP structure	I, IP, IBBP
Frame rate (per stream)	1 to 25/30 (PAL/NTSC) H.264 1 to 25/30 (PAL/NTSC) M-JPEG

Video Out (service mode only)	
Signal	Analog composite (NTSC or PAL), service only
Connector	BNC, 75 Ohm
Horizontal resolution	540 TVL
Video S/N	50 dB

Sensitivity (3200 K, scene reflectivity 89%, F1.2)			
	Full video (100 IRE)	Usable picture (50 IRE)	Minimum Illumination (30 IRE)
Color	2.4 lx (0.223 fc)	0.47 lx (0.044 fc)	0.15 lx (0.0139 fc)
Color + SensUp 10x	0.24 lx (0.0223 fc)	0.047 lx (0.00437 fc)	0.015 lx (0.00139 fc)
Monochrome	0.98 lx (0.091 fc)	0.188 lx (0.0174 fc)	0.060 lx (0.0056 fc)
Monochrome + SensUp 10x	0.098 lx (0.0091 fc)	0.019 lx (0.00176 fc)	0.0060 lx (0.000567 fc)

Day/Night	Color, Mono, Auto
Modes	6 preset programmable modes
Dynamic range	120 dB (20-bit image processing)

Signal-to-Noise Ratio	> 50 dB
Dynamic engine	2X-Dynamic, XF-Dynamic, SmartBLC+2X-Dynamic
SmartBLC	On (includes 2X-Dynamic) / Off
AGC	AGC On or Off (0 - 30 dB) selectable
White Balance	ATW (2500 to 10000K), ATWhold and manual
Shutter	Auto (1/50 [1/60] to 1/10000) selectable Auto (1/50 [1/60] to 1/50000) automatic flickerless, fixed selectable
Sensitivity up	Adjustable from Off up to 10x
Auto Black	Automatic continuous, Off
Dynamic Noise Reduction	Auto, On/off selectable
Sharpness	Sharpness enhancement level selectable
Peak White Invert	On/Off
Privacy Masking	Four independent areas, fully programmable
Video Motion Analysis	Motion+ or IVA
Test Pattern Generator	Color bars 100%, Grayscale 11-step, Sawtooth 2H, Checker board, Cross hatch, UV plane
Synchronization	Internal, Line Lock selectable
Lens Mount	CS (max lens protrusion 5 mm, 0.2 inch), C-mount compatible (with optional adapter ring)
Lens Types	Manual, DC- and Video-Iris auto-detect with override DC-iris drive: max. 50 mA continuous Video-iris: 1.1.5 VDC \pm 0.5, max. 50 mA continuous
Controls	OSD with soft-key operation (multi-lingual)
Audio	
Standard G.711	300 Hz to 3.4 kHz at 8 kHz sampling rate
Signal-to-noise ratio	> 50 dB
Input/output	
Audio	1 x mono line in, 1 x mono line out
• connector	3.5 mm stereo jack
• signal line in	9 kohm typical, 5.5 Vpp max
• signal line out	3.0 Vpp at 10 kohm typical, 2.3 Vpp at 32 Ohm typical, 1.7 Vpp at 16 Ohm typical
Alarm	2 inputs

• connector	Clamp (non-isolated closing contact)
• activation voltage	+5 VDC to +40 VDC (+3.3 VDC with DC-coupled 22 kohm pull-up resistor)
Relay	1 output
• connector	Clamp
• voltage	30 VAC or +40 VDC Maximum 0.5 A continuous, 10VA
Data port	RS-232/422/485

Software Control

Unit Configuration	Via web browser or Configuration Manager
Flicker Control	50/60 Hz, selectable
Software update	Flash ROM, remote programmable

Network and Storage

Protocols	RTP, Telnet, UDP, TCP, IP, HTTP, HTTPS, FTP, DHCP, IGMP V2/V3, ICMP, ARP, SMTP, SNTP, SNMP, 802.1x, UPnP
Encryption	TLS 1.0, SSL, AES (optional)
Ethernet	STP, 10/100 Base-T, auto-sensing, half/full duplex, RJ45
PoE supply	IEEE 802.3af compliant
Local Storage	Supports microSD cards (SDHC)

Mechanical

Dimensions (H x W x L)	58 x 66 x 122 mm (2.28 x 2.6 x 4.8 inch) without lens
Weight	542 g (1.195 lb) without lens
Color	RAL 9007 Metallic Titanium
Tripod Mount	Bottom (isolated) and top 1/4-inch 20 UNC

Environmental

Operating Temperature	-20°C to +50°C (-4°F to 122°F)
Extended Operating Temperature*	-20°C to +55°C (-4°F to 131°F)
Operating Temperature (IVA)	-20°C to +45°C (-4°F to 113°F)
Storage Temperature	-40°C to +70°C (-40°F to +158°F)
Operating Humidity	20% to 93% RH
Storage Humidity	up to 98% RH

* with HAC-IPCCC and UHO outdoor housing with active cooling

Ordering information

NBN-498-11P Dinion2X D/N IP Camera

1/3-inch Progressive scan, H.264, 2X DSP, WDR, PAL, 50 Hz, PoE, microSD slot
Order number **NBN-498-11P**

NBN-498-12IP Dinion2X D/N IP Camera

1/3-inch Progressive scan, H.264, 2X DSP, WDR, PAL, 50 Hz, PoE, microSD slot, IVA enabled
Order number **NBN-498-12IP**

NBN-498-21P Dinion2X D/N IP Camera

1/3-inch Progressive scan, H.264, 2X DSP, WDR, NTSC, 60 Hz, PoE, microSD slot
Order number **NBN-498-21P**

NBN-498-22IP Dinion2X D/N IP Camera

1/3-inch Progressive scan, H.264, 2X DSP, WDR, NTSC, 60 Hz, PoE, microSD slot, IVA enabled
Order number **NBN-498-22IP**

Accessories

EX12LED-3BD-8M Infrared Illuminator

EX12LED IR Illuminator, 850 nm, 30 deg beam
Order number **EX12LED-3BD-8M**

EX12LED-3BD-8W Infrared Illuminator

EX12LED, IR Illuminator, 850 nm, 60 deg beam
Order number **EX12LED-3BD-8W**

EX12LED-3BD-9M Infrared Illuminator

EX12LED IR Illuminator, 940 nm, 30 deg beam
Order number **EX12LED-3BD-9M**

EX12LED-3BD-9W Infrared Illuminator

EX12LED, IR Illuminator, 940 nm, 60 deg beam
Order number **EX12LED-3BD-9W**

LTC 3364/21 Varifocal Lens IR corrected

1/3-inch, 2.8 – 6 mm, DC-iris, CS-mount F1.4-200, 4-pin
Order number **LTC3364/21**

LTC 3664/40 Varifocal Lens IR corrected

1/3-inch, 2.8 – 11 mm, DC-iris, CS-mount F1.4-360, 4-pin
Order number **LTC3664/40**

LTC 3674/20 Varifocal Lens IR corrected

1/3-inch, 7.5 – 50 mm, DC-iris, CS-mount F1.3-360, 4-pin
Order number **LTC 3674/20**

LTC 3764/20 Varifocal Lens IR corrected

1/2-inch, 4 – 12 mm, DC-iris, C-mount F1.2-360, 4-pin
Order number **LTC 3764/20**

LTC 3774/30 Varifocal Lens IR corrected

1/2-inch, 10 – 40 mm, DC-iris, C-mount F1.4-360, 4-pin
Order number **LTC 3774/30**

UPA-2410-60 Power Supply

120 VAC, 60 Hz, 24 VAC, 10 VA Out
Order number **UPA-2410-60**

UPA-2430-60 Power Supply

120 VAC, 60 Hz, 24 VAC, 30 VA Out
Order number **UPA-2430-60**

UPA-2450-60 Power Supply, 120 V, 60 Hz

Indoor, 120 VAC, 60 Hz In; 24 VAC, 50 VA Out
Order number **UPA-2450-60**

UPA-2420-50 Power Supply

220 VAC, 50 Hz, 24 VAC, 20 VA Out
Order number **UPA-2420-50**

UPA-2450-50 Power Supply, 220 V, 50 Hz

Indoor, 220 VAC, 50 Hz In; 24 VAC, 50 VA Out
Order number **UPA-2450-50**

S1374 Adapter

converts C mount lens to CS mount camera
Order number **S1374**

HAC-IPCCC Camera Cooling Case

For use with Dinion IP cameras in combination with HSG and UHO Series housings equipped with an optional blower
Order number **HAC-IPCCC**

Software Options

MVC-FIVA4-CAM

IVA 4.xx/5.xx VCA software license for IP camera/dome (e-license)
Order number **MVC-FIVA4-CAM**

BVIP AES 128 Bit Encryption

BVIP AES 128-bit encryption site license. This license is required only once per installation. It enables encrypted communication between BVIP devices and management stations.
Order number **MVS-FENC-AES**

Represented by:

Americas:

Bosch Security Systems, Inc.
130 Perinton Parkway
Fairport, New York, 14450, USA
Phone: +1 800 289 0096
Fax: +1 585 223 9180
security.sales@us.bosch.com
www.boschsecurity.us

Europe, Middle East, Africa:

Bosch Security Systems B.V.
P.O. Box 80002
5617 BA Eindhoven, The Netherlands
Phone: + 31 40 2577 284
Fax: +31 40 2577 330
emea.securitysystems@bosch.com
www.boschsecurity.com

Asia-Pacific:

Robert Bosch (SEA) Pte Ltd, Security
Systems
11 Bishan Street 21
Singapore 573943
Phone: +65 6571 2808
Fax: +65 6571 2699
apr.securitysystems@bosch.com
www.boschsecurity.asia

China:

Bosch (Shanghai) Security Systems Ltd.
201 Building, No. 333 Fuquan Road
North IBP
Changning District, Shanghai
200335 China
Phone +86 21 22181111
Fax: +86 21 22182398
www.boschsecurity.com.cn

America Latina:

Robert Bosch Ltda Security Systems Division
Via Anhanguera, Km 98
CEP 13065-900
Campinas, Sao Paulo, Brazil
Phone: +55 19 2103 2860
Fax: +55 19 2103 2862
latam.boschsecurity@bosch.com
www.boschsecurity.com