

ENFORCER®

MVE-AH030AQ

Basic HDMI® Extender over Single Cat5e/6

Manual



HDMI®
HIGH-DEFINITION MULTIMEDIA INTERFACE

Up to
196ft
(60m)
1080p Resolution

Cat5e/6
Single Cable

**Plug
and
Play**
Operation

- Extend HDMI over a single Cat5e/6 cable
- Supports resolutions from 480i to 1080p with zero signal loss
- Transmits up to 196ft (60m) at 1080p over Cat5e/6 cable
- Plug and play operation – comes as a complete set
- Bi-directional IR for remote control extension
- EDID management setting
- Two (2) 5VDC power supplies included

IMPORTANT: This product is designed to extend an HDMI signal over Cat5e/6. This product is not to be used to bypass any copy protection or other content protection system. All usage of this product shall conform to the license that comes with the content.

Introduction:

The ENFORCER Basic HDMI Extender over Single Cat5e/6 extends the range of traditional HDMI cabling methods by using an active transmitter and receiver to send video and audio over a single Cat5e/6 cable. HDMI formats as large as 1080p can be transmitted up to 196ft (60m) between the two units with zero signal loss by using integrated circuits in the receiver and transmitter. The extender also supports bi-directional IR control for remotely controlling HDMI sources and displays.

Features:

- **Signal Strength** – Active operation ensures that the signal strength will remain strong over the length of the cable.
- **Distance** – The Basic HDMI Extender over Single Cat5e/6 is capable of providing a clear HDMI signal up to 196ft (60m).
- **Formats Supported** – The Basic HDMI Extender over Single Cat5e/6 supports both progressive and interlaced formats: 1080p/1080i/720p/480p/480i.
- **Plug and Play** – The Basic HDMI Extender over Single Cat5e/6 comes as a complete set consisting of a transmitter and receiver, power supplies, and IR dongles.
- **Zero Signal Loss** – Integrated circuits in the transmitter and receiver clean, buffer and amplify the HDMI signal to prevent signal loss and ensure a clear signal regardless of the length of the cable.
- **Bi-directional IR** – Send IR signals from the source to the monitor or from the monitor to the source for discrete operation of devices.
- **EDID Management** – Eliminate sync issues by choosing from STD EDID (1080p/60Hz, 2CH audio) or TV EDID (copying the TV EDID information to the HDMI source).

Specifications:

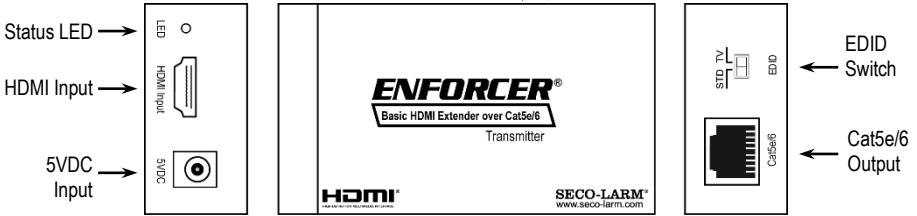
Model Number		MVE-AH030AQ
Input Video signal		3.3V
Input DDC signal		5Vp-p (TTL)
Maximum single link range		1080p
Deep color		24bit
Video formats supported		High-speed HDMI, HDCP 1.2
Audio formats supported		LPCM, Dolby-AC3, DTS7.1, DSD
Output video		HDMI
Resolutions supported		1080p/1080i/720p/576p/576i/480p/480i
Range – 1080p	Cat6	Up to 196' (60m)
	Cat5e	Up to 98' (30m)
Video amplifier bandwidth		1.65Gbps
Video input connector		HDMI Type A 19-pin female
Maximum input cable length		24AWG (15m), 26AWG (10m), 28AWG (5m)
Video output connector		HDMI Type A 19-pin female
Maximum output cable length		24AWG (15m), 26AWG (10m), 28AWG (5m)
Cat5e/6 wiring standard		T-568B
Operating voltage		5VDC
Power supply		1A@5VDC (2 adapters) (2.1mm plug)
ESD protection (human body model)		±8kV (air-gap discharge), ±4kV (contact discharge)
Current draw	Transmitter	550mA@5VDC
	Receiver	450mA@5VDC
Operating temperature		32°~104° F (0°~40° C)
Operating humidity		20~90% RH (no condensation)
Dimensions		3 ³ / ₁₆ "x1 ¹⁵ / ₁₆ "x1" (81x49x25 mm)
Weight		5.3-oz (150g) (each)

Parts List:

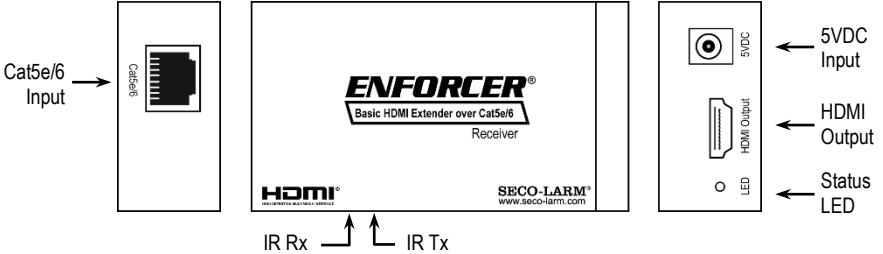
1x Transmitter	1x Manual
1x Receiver	1x IR Transmitter (w/ double sided tape)
2x 5VDC Power adapters	1x IR Receiver (w/ double sided tape)

Overview:

Transmitter:



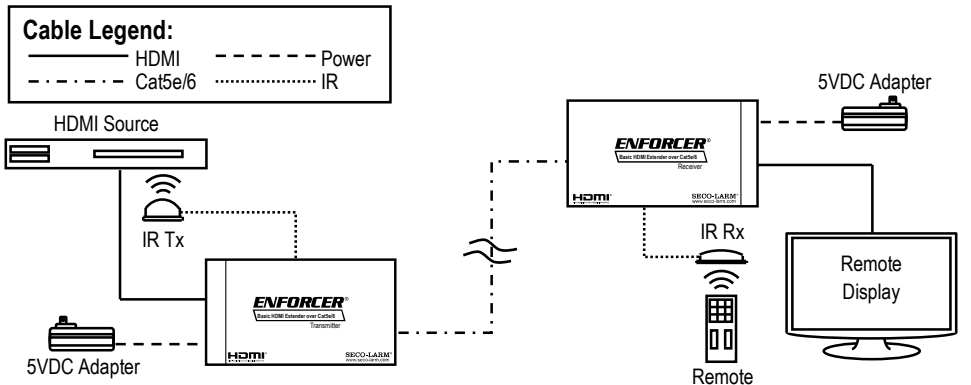
Receiver:



Installation:

- Determine the locations where the MVE-AH030AQ units will be wired as well as how much Cat5e/6 cable is necessary.
- Connect the transmitter to the HDMI output of the source device.
- Connect the Cat5e/6 cable to both the receiver and transmitter units.
Note: For maximum range use Cat6 cable.
- Connect the receiver to the HDMI input of the display or other device.
- Connect one 5VDC adapter to the transmitter and another to the receiver.
- Determine which device, if any, will be controlled by the remote control. Install the IR transmitter to the IR-TX port, pointing the IR transmitter at the device to be controlled. Install the IR receiver to the IR-RX port of the other device, pointing the IR receiver to where the remote control will be. Point the remote control at the IR receiver when in use. Use the included double-sided tape to securely fasten the IR transmitter and IR receiver in the correct positions.
- Switch on the HDMI source and display to verify that the system is functioning properly.
Note: It may be necessary to move the EDID Switch to a different position if the system is not displaying a correct image.

Sample Application:



IMPORTANT: This product is designed to extend an HDMI signal over Cat5e/6. This product is not to be used to bypass any copy protection or other content protection system. All usage of this product shall conform to the license that comes with the content.

Troubleshooting:

HDMI device does not function correctly

- Use T568-B wiring standard.
- Make sure the extender is powered on both sides.
- Make sure the source and display are powered.
- Test the Cat5e/6 cable between the received and the transmitter to make sure it is functional.
- Make sure there are no problems with the HDMI source, HDMI cables, or HDMI display by plugging the source directly into the display using an HDMI cable.

Screen flickering or brief image loss

- Use a higher grade of twisted pair category cable (Cat6 is recommended).
- Switch the source device to a lower HDMI output (i.e. 1080p to 1080i)
- Power down the unit then move the EDID switch to the opposite position and re-power the unit.
- Restart the handshake process by powering everything down then powering up and connecting each device in succession starting with the HDMI source.

Also Available from SECO-LARM®:

HDMI Extender over Single Cat5e/6



MVE-AH030Q

HDMI Extender over Dual Cat5e/6



MVE-AH010Q

High-Speed HDMI Cables



MC-1102-xxxQ

HDMI, the HDMI Logo and High-Definition Multimedia Interface are trademarks or registered trademarks of HDMI Licensing LLC in the United States and other countries.

WARRANTY: This SECO-LARM product is warranted against defects in material and workmanship while used in normal service for a period of one (1) year from the date of sale to the original consumer customer. SECO-LARM's obligation is limited to the repair or replacement of any defective part if the unit is returned, transportation prepaid, to SECO-LARM. This Warranty is void if damage is caused by or attributed to acts of God, physical or electrical misuse or abuse, neglect, repair or alteration, improper or abnormal usage, or faulty installation, or if for any other reason SECO-LARM determines that such equipment is not operating properly as a result of causes other than defects in material and workmanship. The sole obligation of SECO-LARM and the purchaser's exclusive remedy, shall be limited to the replacement or repair only, at SECO-LARM's option. In no event shall SECO-LARM be liable for any special, collateral, incidental, or consequential personal or property damage of any kind to the purchaser or anyone else.

NOTICE: The information and specifications printed in this manual are current at the time of publication. However, the SECO-LARM policy is one of continual development and improvement. For this reason, SECO-LARM reserves the right to change specifications without notice. SECO-LARM is also not responsible for misprints or typographical errors. Copyright © 2015 SECO-LARM U.S.A., Inc. All rights reserved. This material may not be reproduced or copied, in whole or in part, without the written permission of SECO-LARM.

SECO-LARM® U.S.A., Inc.

16842 Millikan Avenue, Irvine, CA 92606

Tel: (949) 261-2999 | (800) 662-0800

Website: www.seco-larm.com

Email: sales@seco-larm.com

 PICHN3

MI_MVE-AH030AQ_151217.docx