

**8485C
8410C
SERIES
MULTIMODE**

**Single Fiber Four Channel FM Video System With
RS485, RS422, RS232, Manchester/Bosch, or Sensornet Data**



FEATURES:

- Compatible with NTSC; RS-170A & RS-343A and PAL
- Diagnostics: Video, Data, Power and Optical Presence
- Full Color Transmission
- Real Time Video Transmission
- Switch Selectable Termination and Fail Safe Bias
- Wall or Rack Mount
- PFM Video Transmission

SPECIFICATIONS:

Video:

1/0 Level.....	1 Vp-p
I/O Impedance.....	75 Ohms
Bandwidth.....	10 MHz
Differential Gain.....	5%
Differential Phase.....	3°
SNR.....	55 dB
Connector.....	BNC

Data:

Data Rate:	
RS485/ RS422/ RS232.....	up to 50 Kbps
Manchester/Bosch.....	up to 50 Kbps
Sensornet.....	230.4 Kbps
Data Connector.....	8 Pin Screw Terminal

Optical:

Wavelength.....	850/1300 nm
Maximum Transmission Distance:.....	5 Km
Loss Budget (62.5/125µ):	
MTX to MRX.....	12 dB @ 1300nm
MRX to MTX.....	20 dB @ 850nm
Connector.....	ST

Temperature (Operating)

-40°C to +74°C, non-condensing

Power Supply:

Universal Power Input: 100 to 240 VAC @ 47 to 63 Hz, 40 Watts Maximum

Size:

12" Deep x 19" Wide x 1¾" (1RU) High

ORDERING INFORMATION:

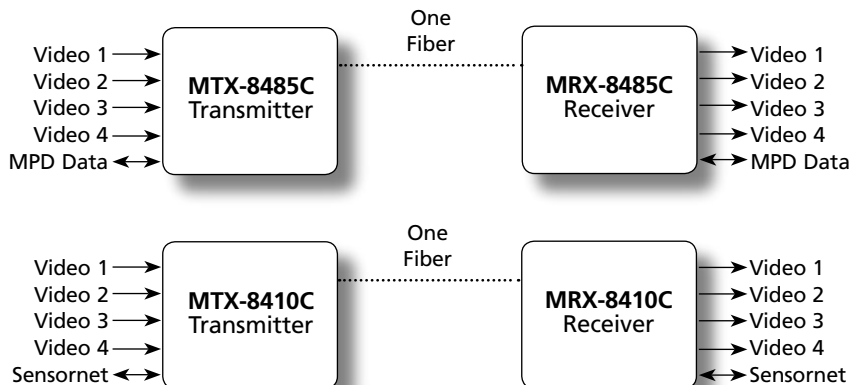
Video with RS485, RS422, RS232, or Manchester/Bosch Data:
 MTX-8485C = Module/Rack Video Source
 MRX-8485C = Module/Rack Video Monitor

Video with Sensornet Data:
 MTX-8410C = Module/Rack Video Source
 MRX-8410C = Module/Rack Video Monitor

Example:
 MTX-8485C to MRX-8485C



The American Fibertek 8485C Series transmits four channels of high-quality, FM video with bi-directional PTZ or keyboard data on one multimode optical fiber. The 8485C Series is switch selectable to one channel of RS485 (2 or 4 wire) or Manchester/Bosch data, or a dual channel consisting of RS422 and RS232 data. The 8485C Series also incorporates switch selectable data biasing and data termination features. The American Fibertek 8410C Series transmits four channels of high-quality, FM video with bi-directional Sensornet data on one multimode optical fiber. Both series are designed to be completely transparent to all camera and monitor manufacturers. The system requires no field adjustments at installation or additional maintenance thereafter. Equipment may be mounted as stand alone modules or mounted directly into a standard EIA 19" rack depending on the position of the mounting brackets.



**THE 8485C-SL AND 8410C-SL SERIES ARE
AVAILABLE FOR SINGLEMODE APPLICATIONS**

[SEE WEBSITE FOR CURRENT RoHS PRODUCT AVAILABILITY](#)