

**M100C
M1C / M30C
SERIES
MULTIMODE**



**Single Channel FM Video Transmission System
Low Profile / Mini / High Density**



FEATURES:

- Compatible with NTSC; RS-170A & RS-343A and PAL
- Diagnostics: Video, Power and Optical Presence
- Full Color Transmission
- Small Profile
- PFM Video Transmission

SPECIFICATIONS:

Video:

I/O Level	1 Vpp
I/O Impedance	75 Ohms
Bandwidth	8 MHz
Differential Gain	5%
Differential Phase	5°
SNR	60 dB
Connector	BNC

Optical:

Wavelength	850 nm
Loss Budget (62.5/125μ)	12 dB
Maximum Transmission Distance	2.5 Km
Connector	ST

Temperature (Operating):

-40°C to +74°C, non-condensing

Power Supply:

Module - 12 VDC (AFI Part #: PS-12)	
Power Consumption	2 Watts
Rack Card (See AFI Part #: SR-20D/2)	
Power Consumption (M-100)	3 Watts
Power Consumption (M-30)	7 Watts

Size:

Mini Module - 2½" length x 1½" diameter
 Low Profile Module - 3" x 2" x 7/8"
 Rack Card - 6½" x 1" x 5"

ORDERING INFORMATION:

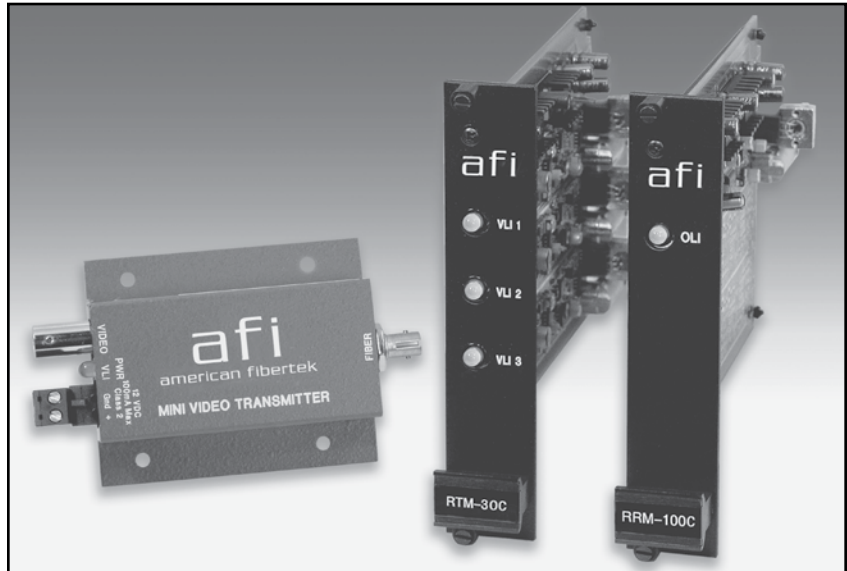
- MTM-1C = Mini Module Transmitter
- MTM-100C = Module Transmitter
- RTM-100C = Rack Card Transmitter
- RTM-30C = 3-up Rack Card Transmitter
- MRM-100C = Module Receiver
- RRM-100C = Rack Card Receiver

Example: MTM-1C to MRM-100C

*Example: MTM-1C
 MTM-100C to RRM-30C
 MTM-100C*

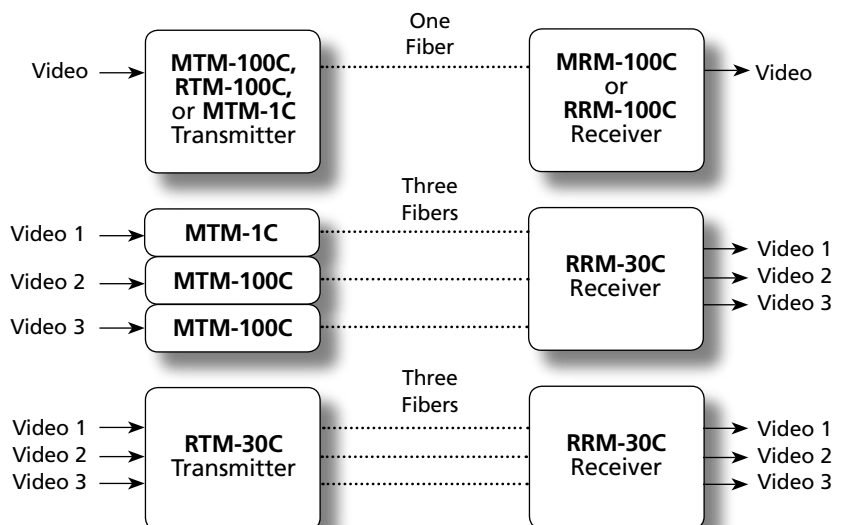
Example: RTM-30C to RRM-30C

Note: This is a High Density Fiber Solution that allows up to 42 videos to be transmitted from one SR-20D/2 subrack to another SR-20D/2 subrack.



The American Fibertek M1C and M100C Series transmit one channel of high-quality, FM video on one multimode optical fiber. The American Fibertek M30C Series transmits three channels of high-quality, FM video on three multimode optical fibers. All units operate at 850 nm and are compatible across the series. Designed to be completely transparent to all camera and monitor manufacturers, the system requires no field adjustments at installation or additional maintenance thereafter. Diagnostic indicators provide a quick visual indication of system status.

The MTM-1C is a miniature transmitter that is designed to mount directly on the back of a video camera. The M100C Series may be ordered as stand alone low profile modules or rack cards that are mounted in the SR-20D/2 or SR-20R/1 American Fibertek Card Cage. The M30C Series are ordered as rack cards to be mounted in the SR-20D/2 or SR-20R/1.



SEE WEBSITE FOR CURRENT RoHS PRODUCT AVAILABILITY

american fibertek inc. 120 Belmont Drive, Somerset, NJ, USA 08873-1204