

**M1485
SERIES
MULTIMODE**

**Single Or Dual Fiber Video Transmission System
With Bi-Directional RS485, RS422, or Manchester / Bosch Data**



FEATURES:

- Compatible with NTSC; RS-170A & RS-343A and PAL
- Diagnostics: Video, Data, Power and Optical Presence
- Switch Selectable 2 Wire or 4 Wire
- Switch Selectable Termination and Bias
- Single or Dual Fiber Alternative

SPECIFICATIONS:

Video:

1/0 Level 1 Vp-p
 I/O Impedance 75 Ohms
 Bandwidth 6 MHz
 Differential Gain 5%
 Differential Phase 3°
 SNR 60 dB
 Connector BNC

Data:

Data Rate:
 RS485/ RS422 up to 100 Kbps
 Manchester/Bosch up to 100 Kbps
 Data Connector 5 Pin Screw Terminal

Optical:

Wavelength 850/1300 nm
 Maximum Transmission Distance: 5 Km
 Loss Budget (62.5/125µ) 12 dB
 Connector ST

Temperature (Operating)

-40°C to +74°C, non-condensing

Power Supply:

Module - 12 VDC (AFI Part #: PS-12D)
 Power Consumption 4 Watts
 Rack Card (See AFI Part #: SR-20D/2)
 Power Consumption 4 Watts

Size:

Module - 4½" x 4¼" x 1⅛"
 Rack Card - 6½" x 1" x 5"

SINGLE FIBER ORDERING INFORMATION:

MTM-1485 = Module Transmitter
 RTM-1485 = Rack Card Transmitter
 MRM-1485 = Module Receiver
 RRM-1485 = Rack Card Receiver

Example:

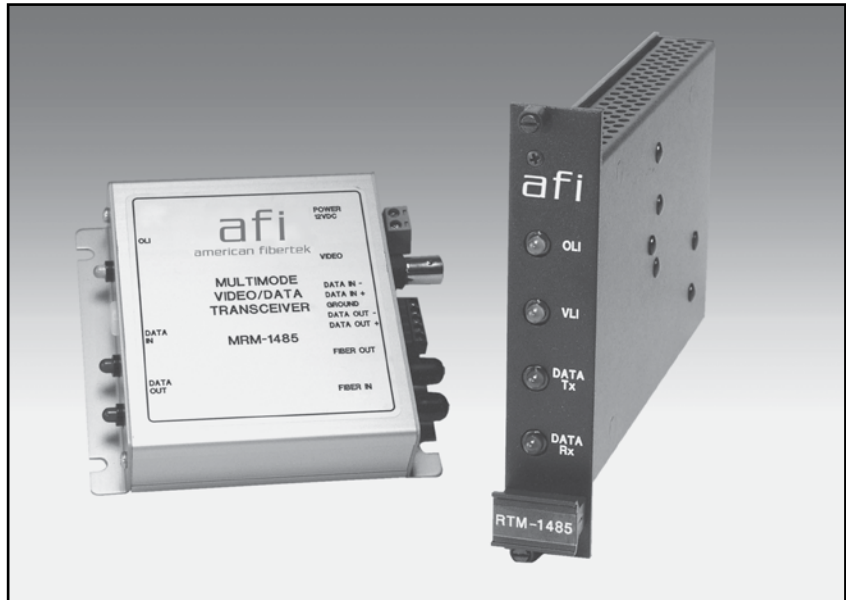
MTM-1485 to RRM-1485

DUAL FIBER ORDERING INFORMATION:

MTM-1485-2F8 = Module Transmitter
 RTM-1485-2F8 = Rack Card Transmitter
 MRM-1485-2F8 = Module Receiver
 RRM-1485-2F8 = Rack Card Receiver

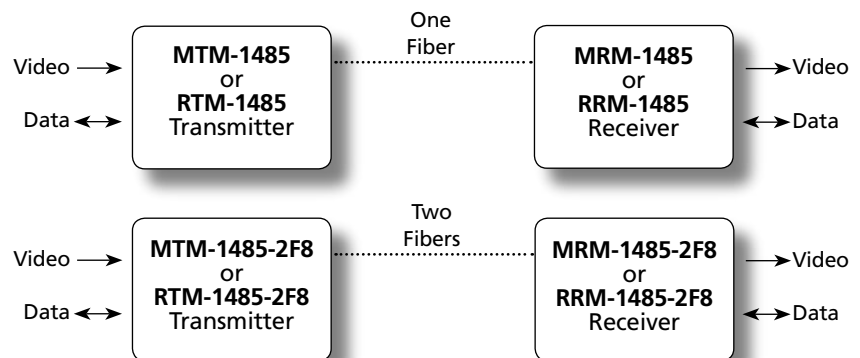
Example:

MTM-1485-2F8 to RRM-1485-2F8



The American Fibertek M1485 Series transmits one channel of high-quality video along with bi-directional RS485, RS422, or Manchester / Bosch data on one multimode optical fiber. The American Fibertek M1485-2F8 Series transmits one channel of high-quality video along with bi-directional RS485, RS422, or Manchester / Bosch data on two multimode optical fibers. Designed to be completely transparent to all camera and monitor manufacturers, the system requires no field adjustments at installation or additional maintenance thereafter. Diagnostic indicators provide a quick visual indication of system status.

Equipment may be ordered as stand alone modules or rack cards that are mounted in SR-20D/2 or SR-20R/1 American Fibertek Card Cages.



**THE 3485 AND 915 SERIES ARE AVAILABLE
FOR SINGLEMODE APPLICATIONS**

[SEE WEBSITE FOR CURRENT RoHS PRODUCT AVAILABILITY](#)