

Thank you for using our products.

**INSTALLATION INSTRUCTIONS
MULTI-TONE HORN**

Use this product according to this instruction manual. Please keep this instruction manual for future reference.


MODEL NUMBER: MTH-24

GENERAL:

The MTH-24 Multi-Tone Horn is a loud, attention getting alert designed for use in noisy and/or large locations where two different audible appliances are required at one location.

The MTH-24 functions as a telephone extension alert because it provides a pulsed warble tone (1 second on and 7 seconds off) which can be activated by a telephone systems interrupted or continuous dry contact closure. Additionally, it functions as an auxiliary alert because it also provides a steady tone which follows the contact closure of a door/service push-button, time clock, alarm systems, etc. When both alerting tones are activated, the steady tone will take priority over the warble tone.

If required, the warble tone can be used as the auxiliary alert, and the priority tone can be used as the telephone alert. As shown in Figure 1, the MTH-24 consists of dual tone generator, amplifier, timer for the warble tone, priority circuit and volume control built-in to a weather resistant speaker horn for indoor and outdoor use. A Wheelock RPS-2406, 24VDC power supply is included to power the MTH-24. Multiple units can be connected in parallel where required.

NOTE: All **CAUTIONS** and **WARNINGS** are identified by the symbol . All warnings are printed in bold capital letters.

 WARNING: READ THESE INSTRUCTIONS CAREFULLY. FAILURE TO COMPLY WITH ANY OF THE FOLLOWING INSTRUCTIONS, CAUTIONS AND WARNINGS COULD RESULT IN IMPROPER APPLICATION, INSTALLATION AND/OR OPERATION OF THESE PRODUCTS IN AN EMERGENCY SITUATION, WHICH COULD RESULT IN PROPERTY DAMAGE, SERIOUS INJURY OR DEATH TO YOU AND/OR OTHERS.

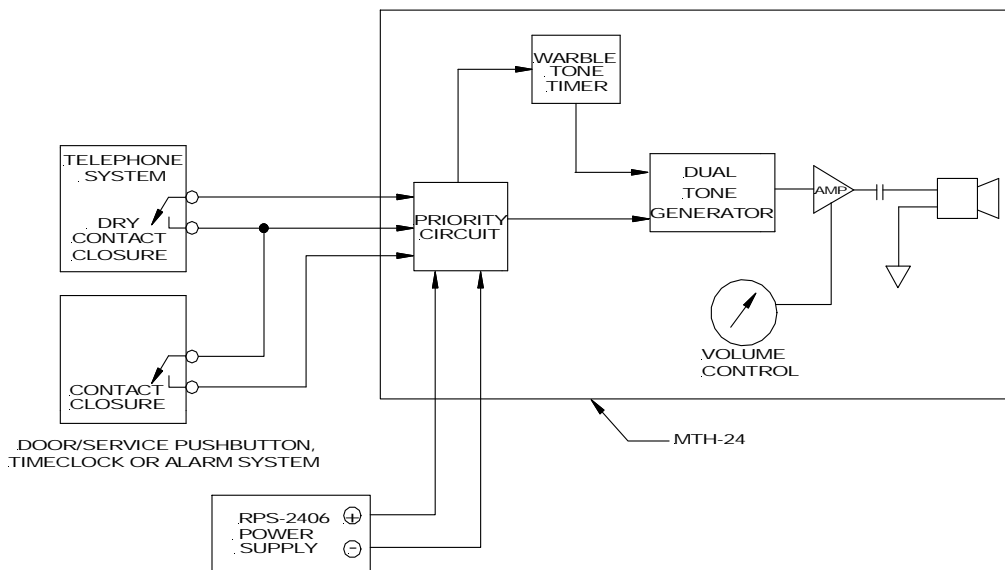


Figure 1: Circuit Block Diagram

Table 1 shows the sound pressure level performance of the MTH-24, and Table 2 provides a guide to horn spacing, area coverage, and sound pressure level.

Table 1: Sound Pressure Level Performance			
Sound Pressure Level (dB at 24 VDC)			
Feet On Axis	Full Power (10 W)	1/2 Power (5W)	1/4 Power (2.5W)
4	115	112	109
8	109	106	103
16	103	100	97
32	97	94	91
64	91	88	85
128	85	82	79

Table 2: Horn Guide									
Noise Level	Full Power (10W)			Half Power (5W)			Quarter Power (2.5W)		
	*Spacing & Distance	**SPL	Area	*Spacing & Distance	**SPL	Area	*Spacing & Distance	**SPL	Area
Quiet 50-65dB	N/A	N/A	N/A	120 Ft.	83dB	14,400 Sq. Ft.	120 Ft.	80dB	14,400 Sq. Ft.
Moderate 65-75dB	110 Ft.	88dB	12,100 Sq. Ft.	110 Ft.	85dB	12,100 Sq. Ft.	110 Ft.	82dB	12,100 Sq. Ft.
Noisy 75-85dB	90 Ft.	89dB	8,100 Sq. Ft.	90 Ft.	86dB	8,100 Sq. Ft.	90 Ft.	83dB	8,100 Sq. Ft.
	60 Ft.	92dB	3,600 Sq. Ft.	60 Ft.	89dB	3,600 Sq. Ft.	60 Ft.	86dB	3,600 Sq. Ft.
Very Noisy 85-95dB	30 Ft.	98dB	900 Sq. Ft.	30 Ft.	95dB	900 Sq. Ft.	30 Ft.	92dB	900 Sq. Ft.
	25 Ft.	100dB	600 Sq. Ft.	25 Ft.	97dB	600 Sq. Ft.	25 Ft.	94dB	600 Sq. Ft.
	16 Ft.	103dB	250 Sq. Ft.	16 Ft.	100dB	250 Sq. Ft.	16 Ft.	97dB	250 Sq. Ft.

* Spacing between horns (side-to-side), and distance in front of horn at which a clear audible tone will be heard.

** Horn sound pressure level (SPL) should exceed the locations noise level by **at least 6dB**.

SPECIFICATIONS:

Table 3.	
Nominal Input Voltage	24VDC
Input Voltage Range	21.6VDC TO 26.4VDC
Input Current at 24VDC with Maximum Volume	0.6A
Sound Pressure Level (On Axis at 24VDC at Full Rated Output)	117dB at 1 Meter
Contact Closure Current Requirement	0.01A
Amplifier Rated Power Output	10 Watts
Speaker Voice Coil Impedance	8 Ohms
Tone Appliances	Warble and Single Tone
Operating Duty Cycle	See Table 4 and Notes

Table 4: Operating Duty Cycle		
Contact Closure Duty Cycle	Warble Tone	Priority Tone
Continuous (Minimum 5 Seconds On)	1 Second On 7 Seconds Off	Follows Contact Closure (Takes Priority Over Warble Tone)
Interrupted	Follows Contact Closure (See Notes Below)	Follows Contact Closure (Takes Priority Over Warble Tone)

NOTES:

- 1) A continuous closure duty cycle is defined as having a minimum "On" time of 5 seconds.
- 2) Maximum warble tone "on" time, during any "On-Off" cycle, is 1 second. For interrupted contact closure duty cycles, warble tone will operate as follows:

Table 5.	
Interrupted Closure Duty Cycle "On" Time	Warble Tone Operation
1 second	Follows closure
Less than 1 second	Follows closure
More than 1 second (and less than 5 seconds)	1 second on

MOUNTING INFORMATION:

The MTH-24 may be surface mounted by simply using the holes in the swivel base to locate and drill mounting holes. The mounting base is also fully adjustable in both the vertical and horizontal planes; See Figure 2.

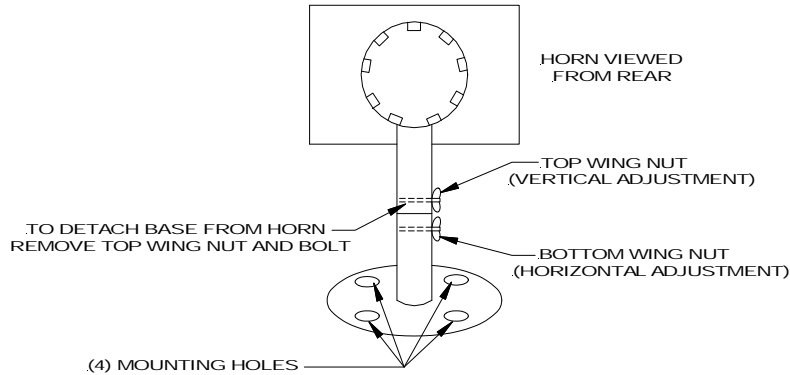


Figure 2: Mounting And Adjustments

CAUTION: When removing horn from base, be careful not to lose adjusting hardware. Mount RPS-2406 Power Supply (provided with horn) as shown on its Installation Instructions.

WIRING INFORMATION: (As shown in Figure 3.)

1. Connect orange and blue leads to the contact closure which will activate the warble tone.
2. Connect yellow and blue leads to the contact closure which will activate the steady priority tone.
Note: If only one tone appliance is used, then cut off and insulate unused wire (orange or yellow) to prevent shorting.
3. Be sure the power cord of the RPS-2406, 24VDC power supply is not plugged in.
4. Connect grey lead to power supply positive (+) terminal and white lead to power supply negative (-) terminal.
5. Plug the power supply cord into a 117VAC outlet.
6. Be sure volume control is turned all the way down (counter clockwise).
7. Check for operation by activating appropriate contact closures. If both tone appliances were connected, check that priority tone takes precedence over warble tone when both are activated.
8. Adjust volume control (clockwise) to desired sound level.

CAUTION: These devices are not intended for use in hazardous locations as defined by the National Electrical Code (NEC) and by the National Fire Protection Association (NFPA). Contact Wheelock Inc. for information on explosion-proof devices designed for hazardous locations.

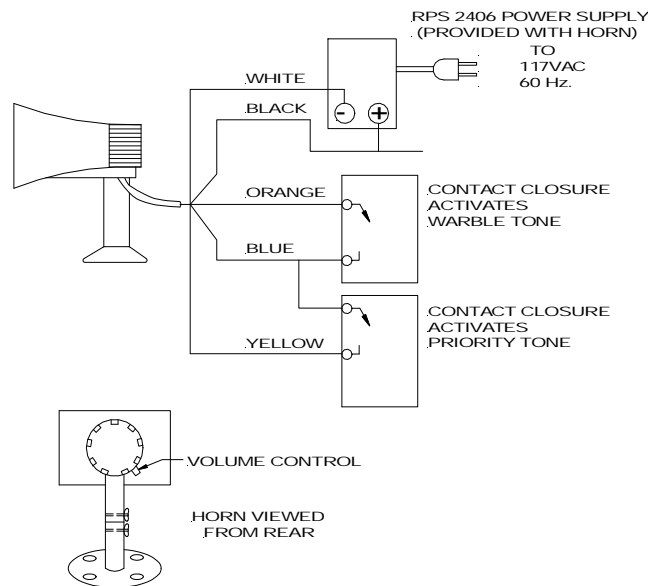


Figure 3: Wiring Diagram

TROUBLESHOOTING CHART:

PROBLEMS	POSSIBLE CAUSE AND CORRECTION
No Sound	<ol style="list-style-type: none">1) Check presence and polarity of -24VDC and GND at the unit.2) Check connections to contact closures.3) Check the external contact closure for continuity.
Low Volume	<ol style="list-style-type: none">1) Check that volume control is turned up (clockwise).2) Be sure at least 21.6VDC is present at the unit (white and black leads) during operation.

⚠ CAUTION: If these appliances are operated within 15 inches of a person's ear, they can produce a sound pressure level that exceeds the maximum 120dBA permitted by ADA and OSHA rules. Exposure to such sound levels can result in damage to a person's hearing.

⚠ CAUTION: Check the installation instructions of the manufacturers of other equipment used in the system for any guidelines or restrictions on wiring and/or locating Notification Appliance Circuits (NAC) and notification appliances. Some system communication circuits and/or audio circuits, for example, may require special precautions to assure immunity from electrical noise (e.g. audio crosstalk).

The Series MTH products and these instructions are copyrighted by Wheelock and the Series MTH products contain proprietary, confidential and trade secrets of Wheelock. No part of the Series MTH products and these instructions may be photocopied, printed or reproduced in any form or modified, adapted, changed or enhanced, or converted to another programming language, or used to create updated, related or derivative works, without the prior written consent of Wheelock. No part of the Series MTH products shall be decomposed, disassembled or reverse engineered.

ANY MATERIAL EXTRAPOLATED FROM THIS DOCUMENT OR FROM WHEELOCK MANUALS OR OTHER DOCUMENTS DESCRIBING THE PRODUCT FOR USE IN PROMOTIONAL OR ADVERTISING CLAIMS, OR FOR ANY OTHER USE, INCLUDING DESCRIPTION OF THE PRODUCT'S APPLICATION, OPERATION, INSTALLATION AND TESTING IS USED AT THE SOLE RISK OF THE USER AND WHEELOCK WILL NOT HAVE ANY LIABILITY FOR SUCH USE.

IMPORTANT: READ SEPARATE "GENERAL INFORMATION" SHEET FOR INFORMATION ON THE PLACEMENT, LIMITATIONS, INSTALLATION, FINAL CHECKOUT, AND PERIODIC TESTING OF NOTIFICATION APPLIANCES.

Limited Warranty

Wheelock products must be used within their published specifications and must be PROPERLY specified, applied, installed, operated, maintained and operationally tested in accordance with these instructions at the time of installation and at least twice a year or more often and in accordance with local, state and federal codes, regulations and laws. Specification, application, installation, operation, maintenance and testing must be performed by qualified personnel for proper operation in accordance with all of the latest National Fire Protection Association (NFPA), Underwriters' Laboratories (UL), Underwriters' Laboratories of Canada (ULC), National Electrical Code (NEC), Occupational Safety and Health Administration (OSHA), local, state, county, province, district, federal and other applicable building and fire standards, guidelines, regulations, laws and codes including, but not limited to, all appendices and amendments and the requirements of the local authority having jurisdiction (AHJ). Wheelock products when properly specified, applied, installed, operated, maintained and operationally tested as provided above are warranted against mechanical and electrical defects for a period of three years from date of manufacture (as determined by date code). Correction of defects by repair or replacement shall be at Wheelock's sole discretion and shall constitute fulfillment of all obligations under this warranty. THE FOREGOING LIMITED WARRANTY SHALL IMMEDIATELY TERMINATE IN THE EVENT ANY PART NOT FURNISHED BY WHEELOCK IS INSTALLED IN THE PRODUCT. THE FOREGOING LIMITED WARRANTY SPECIFICALLY EXCLUDES ANY SOFTWARE REQUIRED FOR THE OPERATION OF OR INCLUDED IN A PRODUCT. WHEELOCK MAKES NO REPRESENTATION OR WARRANTY OF ANY OTHER KIND, EXPRESS, IMPLIED OR STATUTORY WHETHER AS TO MERCHANTABILITY, FITNESS FOR A PARTICULAR PURPOSE OR ANY OTHER MATTER.

USERS ARE SOLELY RESPONSIBLE FOR DETERMINING WHETHER A PRODUCT IS SUITABLE FOR THE USER'S PURPOSES, OR WHETHER IT WILL ACHIEVE THE USER'S INTENDED RESULTS. THERE IS NO WARRANTY AGAINST DAMAGE RESULTING FROM MISAPPLICATION, IMPROPER SPECIFICATION, ABUSE, ACCIDENT OR OTHER OPERATING CONDITIONS BEYOND WHEELOCK'S CONTROL.

SOME WHEELOCK PRODUCTS CONTAIN SOFTWARE. WITH RESPECT TO THOSE PRODUCTS, WHEELOCK DOES NOT WARRANT THAT THE OPERATION OF THE SOFTWARE WILL BE UNINTERRUPTED OR ERROR-FREE OR THAT THE SOFTWARE WILL MEET ANY OTHER STANDARD OF PERFORMANCE, OR THAT THE FUNCTIONS OR PERFORMANCE OF THE SOFTWARE WILL MEET THE USER'S REQUIREMENTS. WHEELOCK SHALL NOT BE LIABLE FOR ANY DELAYS, BREAKDOWNS, INTERRUPTIONS, LOSS, DESTRUCTION, ALTERATION, OR OTHER PROBLEMS IN THE USE OF A PRODUCT ARISING OUT OF OR CAUSED BY THE SOFTWARE.

THE LIABILITY OF WHEELOCK ARISING OUT OF THE SUPPLYING OF A PRODUCT, OR ITS USE, WHETHER ON WARRANTIES, NEGLIGENCE, OR OTHERWISE, SHALL NOT IN ANY CASE EXCEED THE COST OF CORRECTING DEFECTS AS STATED IN THE LIMITED WARRANTY AND UPON EXPIRATION OF THE WARRANTY PERIOD ALL SUCH LIABILITY SHALL TERMINATE. WHEELOCK IS NOT LIABLE FOR LABOR COSTS INCURRED IN REMOVAL, REINSTALLATION OR REPAIR OF THE PRODUCT BY ANYONE OTHER THAN WHEELOCK OR FOR DAMAGE OF ANY TYPE WHATSOEVER, INCLUDING BUT NOT LIMITED TO, LOSS OF PROFIT OR INCIDENTAL OR CONSEQUENTIAL DAMAGES. THE FOREGOING SHALL CONSTITUTE THE SOLE REMEDY OF THE PURCHASER AND THE EXCLUSIVE LIABILITY OF WHEELOCK.

IN NO CASE WILL WHEELOCK'S LIABILITY EXCEED THE PURCHASE PRICE PAID FOR A PRODUCT.

Limitation of Liability

WHEELOCK'S LIABILITY ON ANY CLAIM OF ANY KIND, INCLUDING NEGLIGENCE AND BREACH OF WARRANTY, FOR ANY LOSS OR DAMAGE RESULTING FROM, ARISING OUT OF, OR CONNECTED WITH THIS CONTRACT, OR FROM THE MANUFACTURE, SALE, DELIVERY, RESALE, REPAIR OR USE OF ANY PRODUCT COVERED BY THIS ORDER SHALL BE LIMITED TO THE PRICE APPLICABLE TO THE PRODUCT OR PART THEREOF WHICH GIVES RISE TO THE CLAIM. WHEELOCK'S LIABILITY ON ANY CLAIM OF ANY KIND SHALL CEASE IMMEDIATELY UPON THE INSTALLATION IN THE PRODUCT OF ANY PART NOT FURNISHED BY WHEELOCK. IN NO EVENT SHALL WHEELOCK BE LIABLE FOR ANY CLAIM OF ANY KIND UNLESS IT IS PROVEN THAT OUR PRODUCT WAS A DIRECT CAUSE OF SUCH CLAIM. FURTHER, IN NO EVENT, INCLUDING IN THE CASE OF A CLAIM OF NEGLIGENCE, SHALL WHEELOCK BE LIABLE FOR INCIDENTAL OR CONSEQUENTIAL DAMAGES. SOME STATES DO NOT ALLOW THE EXCLUSION OR LIMITATION OF INCIDENTAL OR CONSEQUENTIAL DAMAGES, SO THE PRECEDING LIMITATION MAY NOT APPLY TO ALL PURCHASERS.