

MS-9600, MS-9600LS, MS-9600UDLS, MS-9200, MS-9200UDLS & MS-9050UD Cable Connections

Product Installation Drawing

Document 52113 Rev B 02/19/08 ECN 08-122

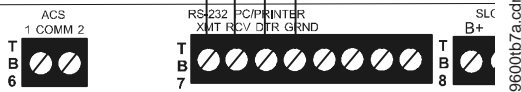
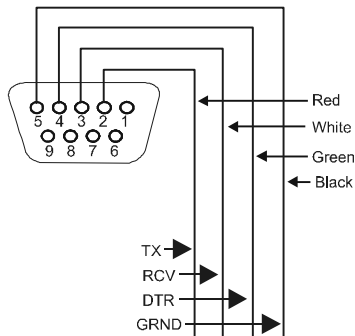
MS-9600, MS-9600LS, MS-9600UDLS, MS-9200UD & MS-9200UDLS

Cable Connection to PC for Local Upload/Download or Printer Connection

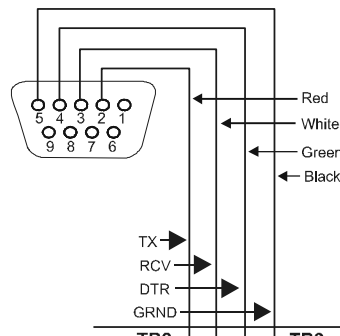
The following illustration details the connections of the supplied cable to the MS-9600 Series FACP TB7 and to the MS-9200UD Series FACP TB8.

The connections are as follows:

- Red wire - TX (Out+)
- White wire - RCV (In+)
- Green wire - DTR (Out-)
- Black wire - Grnd (In-)



MS-9600, MS-9600LS & MS-9600UDLS



MS-9200UD & MS-9200UDLS

92udtb8.cdr

9600tb7a.cdr

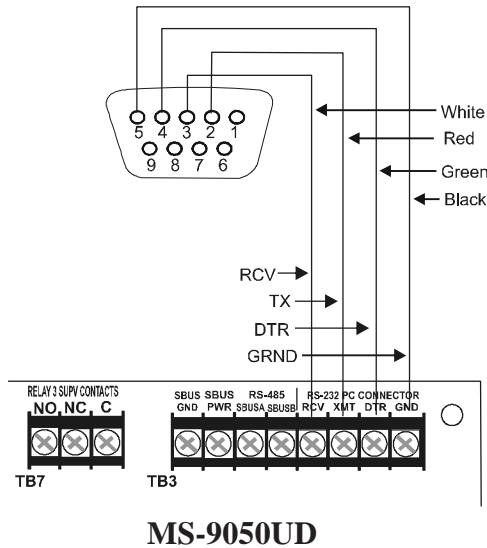
MS-9050UD

Cable Connection to PC for Local Upload/Download Only

The following illustration details the connections of the supplied cable to the MS-9050UD TB3.

The connections are as follows:

- Red wire - TX (Out+)
- White wire - RCV (In+)
- Green wire - DTR (Out-)
- Black wire - Grnd (Out-)



MS-9200

Cable Connection to PC for Local Upload/Download Only (use cable P/N: 75267 for printer connection)

The following illustration details the connections of the supplied cable to the MS-9200 TB7.

The connections are as follows:

- Red wire - TX (Out+)
- White wire - RCV (In+)
- Green wire - no connection
- Black wire - Grnd (Out-)

