

Description

Mircom’s MS-700U Series Special Application Manual Stations are high quality, die-cast metal manual stations that are designed to meet special use requirements such as tornado alert, emergency notification, suppression release and local evacuation. The MS-700U Series are designed for indoor and outdoor use.

The MS-700U Series Special Application Manual Stations are available in a blue, yellow, green or black enamel finish with special application labelling options.

Models are available in single action configurations with SPDT contacts and terminal strip connections. The contacts are gold plated to avoid the risk of corrosion. The MS-700U manual stations mount on a standard single gang backbox.

All models are available with key resets, terminal connectors, SPDT gold contacts and CAT-30 lock and keys.

Operation

The MS-700U Single Action Manual Stations are operated by pulling down the handle marked “PULL HANDLE” on the front of the station.

The MS-700U Series Manual Stations are reset by opening the station with the key, placing the handle in the normal upright position and re-locking the station.

Features

- Single Action
- Key resettable
- Terminal connectors
- Gold plated SPDT contacts
- Special Application Labelling
- High-gloss enamel in Blue, Yellow, Green or Black
- Normally Open or Normally Closed Alarm Contacts
- Meets ADA 5 lb. maximum manual-force

Specifications

Switch Rating

1 Amp @ 30 VDC
0.1 Amp @ 125 VAC

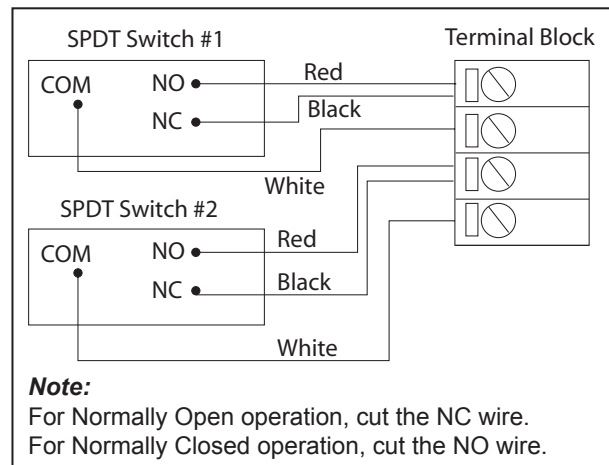
Manual Station Dimensions

4.9” H x 3.5” W x 2.0” D

Colors

Blue, Yellow, Green or Black with raised white letters.
White manual bar with raised black letters.

Typical Wiring Diagram



S7005



S7005

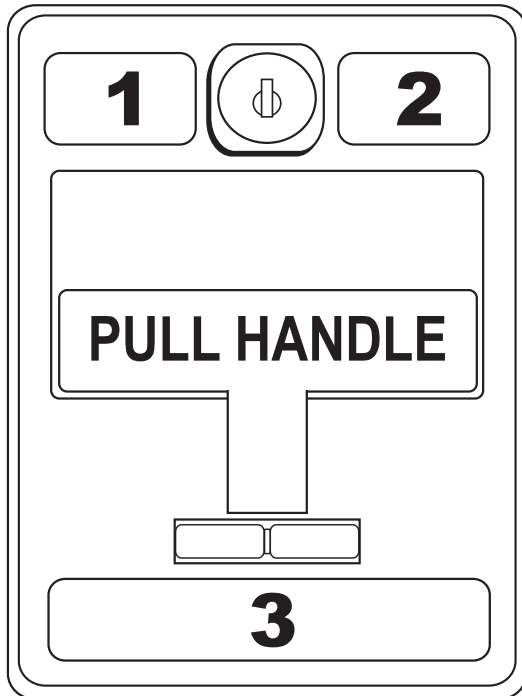


7150-1477:128

CATALOG NUMBER

5166

Special Application Labels



The following labels can be applied to any of the MS-700U(C) Special Application Manual Stations.

Label #1

ALARM
OPEN
ALERT
LOCAL

Label #2

ALARM
DOOR
ALERT
EVAC

Label #3

TORNADO
POLICE
MEDICAL
DOOR RELEASE
EMERGENCY
MANUAL RELEASE
SUPPRESSION RELEASE
EXTINGUISHER RELEASE
SPRINKLER RELEASE
AFFR RELEASE
EMERGENCY EXIT
EVACUATE
HAZMAT

Ordering Information

Model	Description
MS-703U(C)	Blue Single Action Manual Station c/w 2 Form "C" Contacts
MS-704U(C)	Yellow Single Action Manual Station c/w 2 Form "C" Contacts
MS-706U(C)	Green Single Action Manual Station c/w 2 Form "C" Contacts
MS-707U(C)	Black Single Action Manual Station c/w 2 Form "C" Contacts

Suffix "C" denotes custom labels in locations 1,2 and 3 of the Special Application Manual Station.

NOT TO BE USED FOR INSTALLATION PURPOSES.



Canada

25 Interchange Way
Vaughan, Ontario L4K 5W3
Telephone: (905) 660-4655
Fax: (905) 660-4113

U.S.A.

4575 Witmer Industrial Estates
Niagara Falls, NY 14305
Toll Free: (888) 660-4655
Fax Toll Free: (888) 660-4113

Distributed by:

Web page: <http://www.mircom.com>

Email: mail@mircom.com



CAT. 5166
Rev. 2