

**Eight or Sixteen Channel Contact Closure System
With Power Fail Safe Normally Open / Normally Closed Outputs**

FEATURES:

- Form-C (Normally Open or Normally Closed) Dry Contact Closure
- Latching Relays reduce power requirement
- User-Selectable feature maintains Contact Status through Power-Cycle and Loss-of-Optical-Power.
- User Control to Reset all Contact Status
- Diagnostics: DC Power, Optical Presence, and Channel Indicators
- High Density DB26 Data Connector with Adaptor to screw terminal

SPECIFICATIONS:

Contact Closure:

InputSwitch Closure to Ground
 OutputDry Contact
 Response Time 5 ms
 Maximum Voltage40 VDC or Peak AC
 Maximum Current.....0.5 amp
 Connector.....DB 26 with Adaptor
 To Screw Terminal Block

Optical:

Wavelength1310 nm
 Loss Budget21 dB
 Connector..... FC

Temperature (Operating):

-40°C to +75°C, non-condensing

Power Supply:

Module - 12 VDC (AFI Part #: PS-12)
 Power Consumption.....3 Watts
 Rack Card (See AFI Part #: SR-20D/2)
 Power Consumption.....3 Watts

Size (81SL Series):

Module81/8" x 41/8" x 11/8"
 Rack Card 61/2" x 5" x 1"

Size (82SL Series):

Module81/8" x 41/8" x 11/2"
 Rack Card 61/2" x 5" x 2"

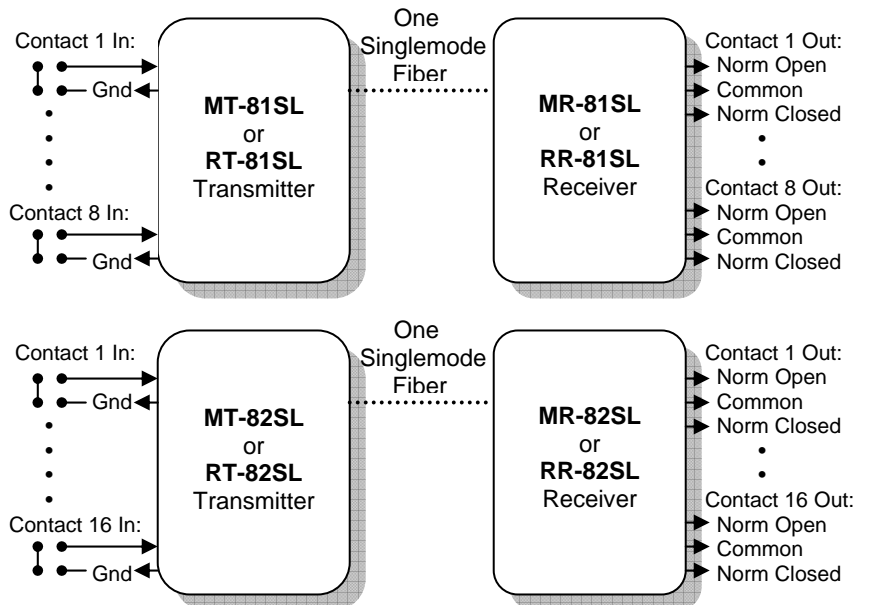
Note: 82SL Series Rack Card Requires Two Slots

Ordering information:

MT-81SL = Module Transmitter- 8 Channel
 RT-81SL = Rack Card Transmit- 8 Channel
 MR-81SL = Module Receiver- 8 Channel
 RR-81SL = Rack Card Receiver- 8 Channel
 MT-82SL = Module Transmitter-16 Channel
 RT-82SL = Rack Card Transmit-16 Channel
 MR-82SL = Module Receiver-16 Channel
 RR-82SL = Rack Card Receiver-16 Channel



The American Fibertek 81SL Series multiplexes 8 channels of dry latching contact closure on one singlemode fiber. The American Fibertek 82SL multiplexes 16 channels of dry latching contact closure on one singlemode fiber. A user-selectable feature allows the contact status to be maintained unchanged or reset through power-cycle and loss-of-optical-power. A reset button is available to clear all contact status to the default state. Individual channel LEDs on the transmitter and the receiver units indicate the channel status. These systems require no field adjustments at installation or additional maintenance thereafter. Diagnostic indicators provide a quick visual indication of system status. Equipment may be ordered as stand alone modules or rack cards that are mounted in the SR-20D/2 or SR-20R/1 AFI Card Cages. **The "Afinety" intelligent remote monitoring system is available on the Rack Card product, please consult factory.**



THE 81 SERIES AND 82 SERIES ARE AVAILABLE FOR MULTIMODE APPLICATIONS