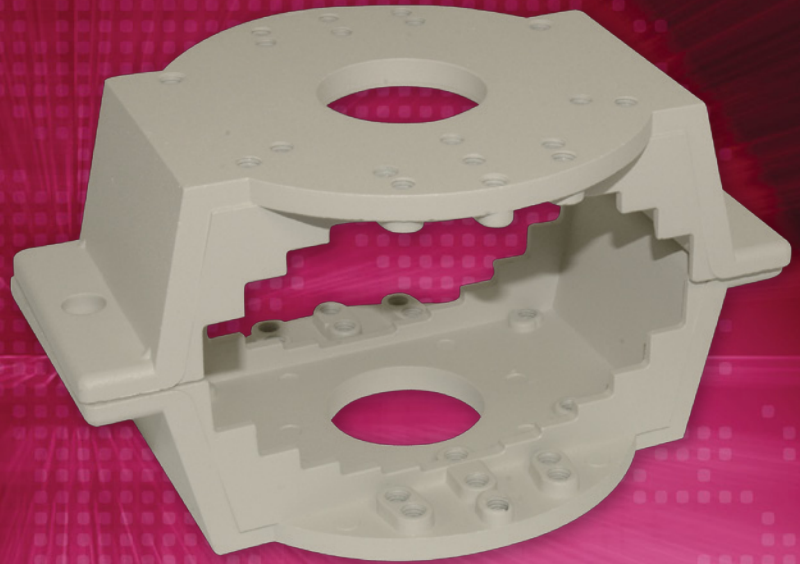




MNTV1XP

Pole Mount Bracket



Requires:

MNTV1XWC Wall/Ceiling Mount Kit

Specifications

Included Mounting Kit (4) M6 x 14mm
 (8) M6 x 20mm pan head machine screw
 (2) M8 x 100mm bolt
 (4) M8 hex nut
 (4) M8 spring washer

Construction Die cast and aluminum

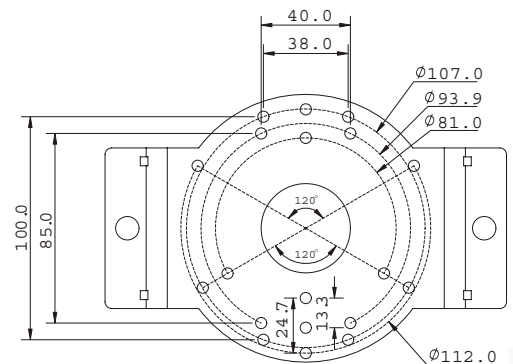
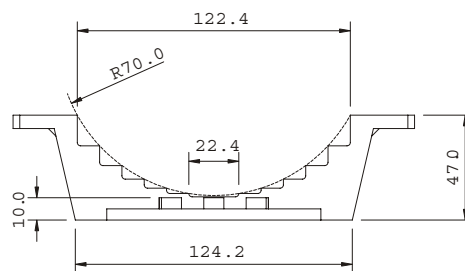
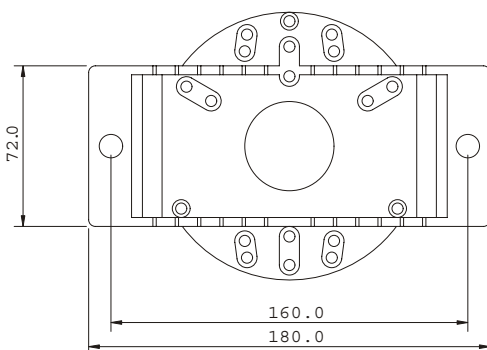
Maximum Load Approx 11lbs / 5.0kg

Dimension Refer to dimension diagram below

Weight Unit: 2.6lbs / 1.3kg

Package: 3.5lbs / 1.7kg

Dimensions



Unit: mm