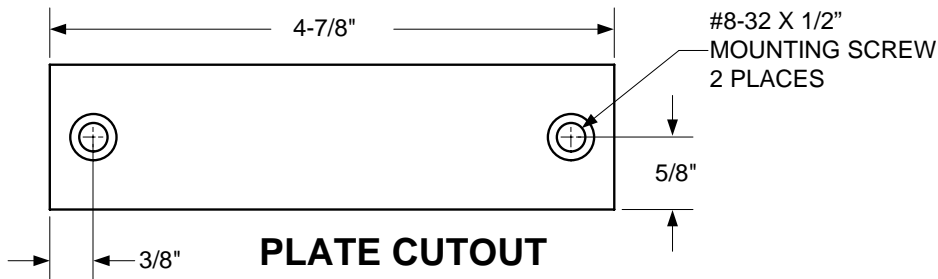
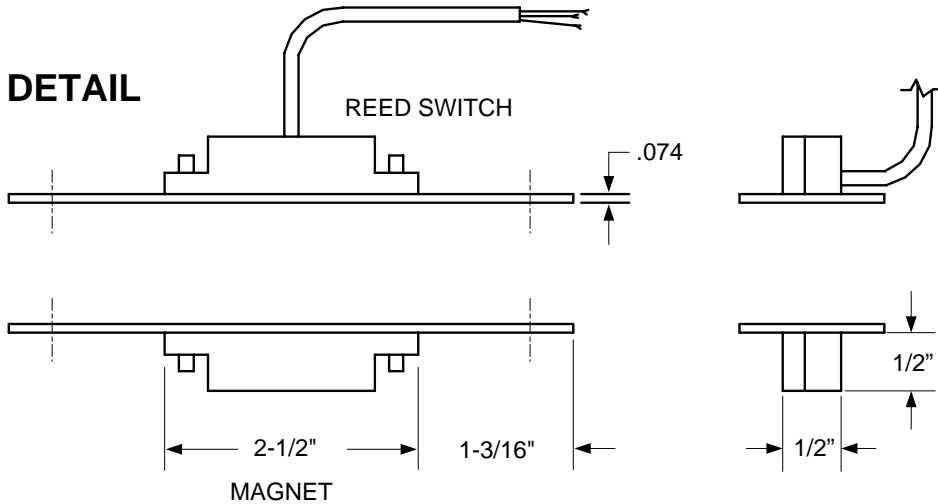
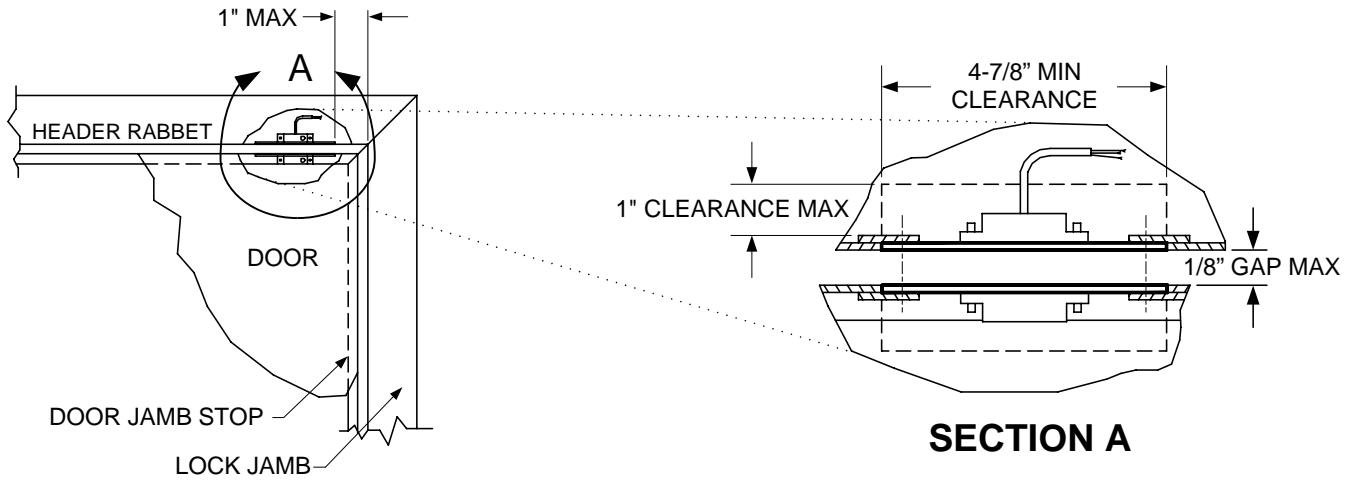


# SDC Security Door Controls

801 Avenida Acaso, Camarillo, Ca. 93041 • (805) 494-0622 • Fax: (805) 494-8861  
 www.sdcsecurity.com • E-mail: service@sdsecurity.com

## TEMPLATE MC-4MV



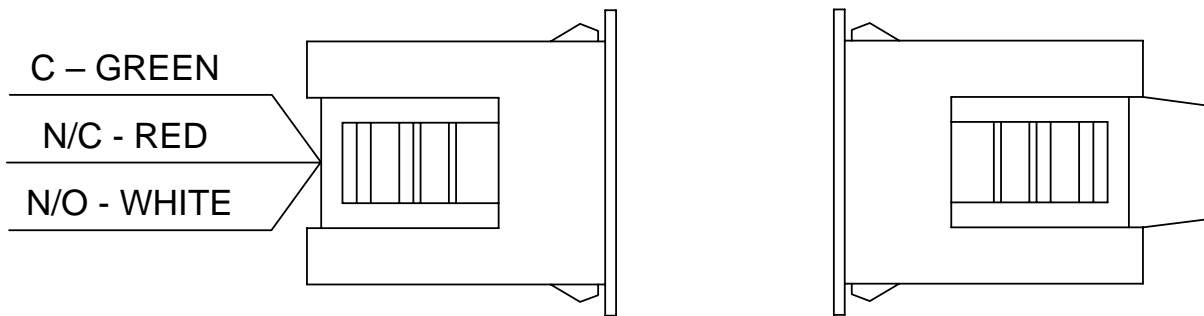
**ELECTRICAL DATA**  
 BLACK – COMMON  
 RED – N/C  
 WHITE – N/O



**Security Door Controls**

801 Avenida Acaso, Camarillo, Ca. 93012  
• (805) 494-0622 • [www.sdcsecurity.com](http://www.sdcsecurity.com)  
E-mail: [service@sdsecurity.com](mailto:service@sdsecurity.com)

### TEMPLATE MC-4 MAGNETIC CONTACT SWITCH

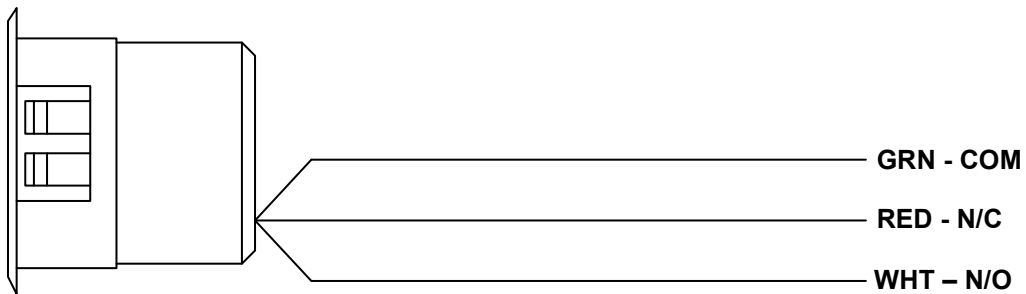


**NOTE: HOLE PREP IS 3/4" DIAMETER x 1" DEEP**

# **SDC** SECURITY DOOR CONTROLS

801 Avenida Acaso, Camarillo, Ca. 93012 • (805) 494-0622 • Fax: (805) 494-8861  
www.sdcsecurity.com • E-mail: service@sdsecurity.com

## **MC-7 WIRING INSTRUCTIONS SELF LOCKING MAGNETIC CONTACT**



**NOTE:** HOLE PREP. IS 1" DIAMETER x 1-1/4" DEEP