

# Wheelock Life Safety Catalog



*Powering Business Worldwide*



# Eaton and Cooper united. Energizing a world that demands more.

## We deliver:

- **Electrical solutions** that use less energy, improve power reliability and make the places we live and work safer and more comfortable
- **Hydraulic and electrical solutions** that enable machines to deliver more productivity without wasting power
- **Aerospace solutions** that make aircraft lighter, safer and less costly to operate, and help airports operate more efficiently
- **Vehicle drivetrain and powertrain solutions** that deliver more power to cars, trucks and buses, while reducing fuel consumption and emissions

Discover today's Eaton.

## Powering business worldwide

As a global diversified power management company, we help customers worldwide manage the power needed for buildings, aircraft, trucks, cars, machinery and businesses.

Eaton's innovative technologies help customers manage electrical, hydraulic and mechanical power more reliably, efficiently, safely and sustainably.

We provide integrated solutions that help make energy, in all its forms, more practical and accessible.

With 2012 sales of \$16.3 billion, Eaton has approximately 103,000 employees around the world and sells products in more than 175 countries.



*Powering Business Worldwide*



## Table of Contents

### Life Safety Notification

#### Audible/Visual Appliances

Horns and Horn Strobes	6
Strobes	13
Bells	17
Speakers and Speaker Strobes	19
Supervised Horns	23
MNS Strobes and Speaker Strobes	24
Sync Modules	25
Weatherproof Appliances	26

#### Accessories **28**

#### Explosion Proof and Hazardous Signaling

Strobes	38
Horns, Speakers, and Combo Unit	44
Explosion Proof and Hazardous Location Call Points	48

#### Telephone Signaling and Commercial Audio

Telephone Alerts	51
------------------	----

#### Indoor Communication Systems and Accessories

SAFEPATH	53
----------	----

#### Mass Notification

Wide Area High Power Speaker Arrays	61
-------------------------------------	----

## Expertise Built on Experience

For nearly a century, Eaton's Cooper Notification Wheelock name has stood for innovation, service and expertise. Wheelock is a trusted brand with proven experience providing industry first, patented technology for the largest range of audible and visual notification appliances. We deliver on our commitment to provide customers with innovative product solutions, exceptional value and outstanding service.

This Product Catalog contains concise information on Eaton's Cooper Notification portfolio of Wheelock, SAFEPATH and WAVES products for use in Life Safety applications.

For more information, including detailed specification and instruction sheets, visit our website [www.coopernotification.com](http://www.coopernotification.com).

#### Contact Information

1-800-631-2148

Customer Support: Option 2  
[orders@cooperwheelock.com](mailto:orders@cooperwheelock.com)

Technical Support: Option 3

Marketing Support: Option 7

Literature Requests: [lit.request@cooperindustries.com](mailto:lit.request@cooperindustries.com)

#### Eaton

#### Cooper Notification Solutions

273 Branchport Avenue

Long Branch, NJ 07740

P: (800) 631-2148 F: (732) 222-8707







# Life Safety Notification

Cooper Notification has been an industry leader for nearly a century offering the broadest line of life safety notification appliances and accessories to meet your needs while complying with the latest codes and standards such as UL and NFPA.

- Audible/Visual Appliances
- Sync Modules
- Accessories

# Series Exceder LED Wall Horns & Horn Strobes



## Available features and options:

- Energy Efficient & Environmentally Friendly
- Low-Profile Design
- Easy-to-Install

**Finish Color:** Red or White

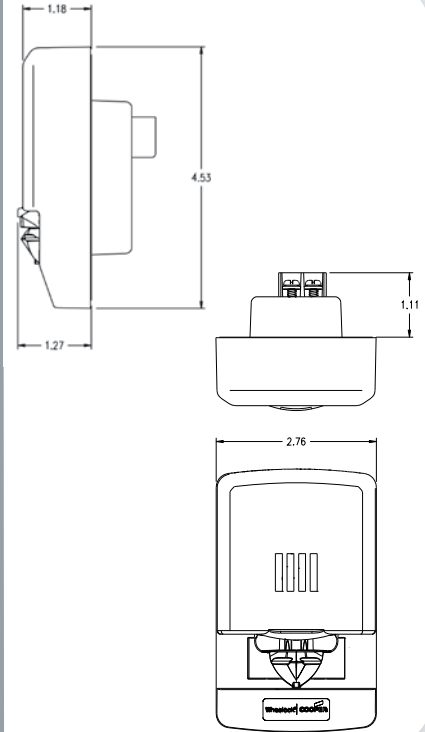
**Mounting:** Wall

**dBA Rating:** 90 or 95

**Voltage:** 24 VDC

**Strobe Candela:** 15/30/75/110

Approvals: UL, ULC, CSFM



## Model Number

### Horn Strobes

LHSR

LHSW

### Horn

LHNR

LHNW

Mounting Options: LL

## Horn Strobe Ratings per UL 1971 & Anechoic at 24 VDC

UL Max Current\* at  
Anechoic 95 dBA

24 VDC

Model	Regulated Voltage Range VDC	15cd	30cd	75cd	110cd
LHS	16.0-33.0	0.040	0.051	0.146	0.258

UL Max Current\* at  
Anechoic 90 dBA

24 VDC

Model	Regulated Voltage Range VDC	15cd	30cd	75cd	110cd
LHS	16.0-33.0	0.039	0.055	0.146	0.256

## Horn Ratings per UL Anechoic

Model	Regulated Voltage Range VDC	95 dB	90 dB
LHN	8.0-17.5	0.028	0.025
LHN	16.0-33.0	0.038	0.026

# Series Exceder Wall and Ceiling Horn Strobes



## Available features and options:

**Finish Color:** Red or White

**Mounting:** Wall or Ceiling

**dBA Rating:** 90, 95, 99

**Voltage:** Selectable 12/24 VDC

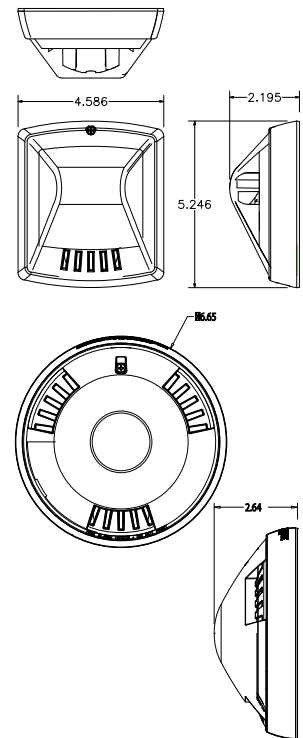
### Strobe Candela:

Selectable Wall: 15/1575/30/75/95/110/135/185

Ceiling: 15/30/60/75/95/115/150/177

**Backbox Mounting Options:** 1 gang, 2 gang, 4" sq., 3.5" octal

**Approvals:** UL, ULC, FM, CSFM



### Wall Mount Horn Strobes

Model Number	Finish
HSR	Red
HSW	White

Mounting Options: II, JJ

### Ceiling Mount Horn Strobes

Model Number	Finish
HSRC	Red
HSWC	White

Mounting Options: II, JJ

### Horn Strobe Ratings per UL 1971 & Anechoic at 24 VDC

UL Max Current 99 dBA		24 VDC												12 VDC	
Model	Regulated Voltage Range VDC	15	15/75	30	60	75	95	110	115	135	150	177	185	15	15/75
HS	8.0-33.0	0.082	0.095	0.102	-	0.148	0.176	0.197	-	0.242	-	-	0.282	0.125	0.159
HSC	8.0-33.0	0.082	-	0.102	0.141	0.148	0.176	-	0.197	-	0.242	0.282	-	0.125	-
UL Max Current 95 dBA		24 VDC												12 VDC	
Model	Regulated Voltage Range VDC	15	15/75	30	60	75	95	110	115	135	150	177	185	15	15/75
HS	8.0-33.0	0.073	0.083	0.087	-	0.139	0.163	0.186	-	0.230	-	-	0.272	0.122	0.153
HSC	8.0-33.0	0.073	-	0.087	0.128	0.139	0.163	-	0.186	-	0.230	0.272	-	0.122	-
UL Max Current 90 dBA		24 VDC												12 VDC	
Model	Regulated Voltage Range VDC	15	15/75	30	60	75	95	110	115	135	150	177	185	15	15/75
HS	8.0-33.0	0.065	0.075	0.084	-	0.136	0.157	0.184	-	0.226	-	-	0.267	0.120	0.148
HSC	8.0-33.0	0.065	-	0.084	0.120	0.136	0.157	-	0.184	-	0.226	0.267	-	0.120	-

# Series Exceder Wall and Ceiling Horn



## Available features and options:

**Finish Color:** Red or White

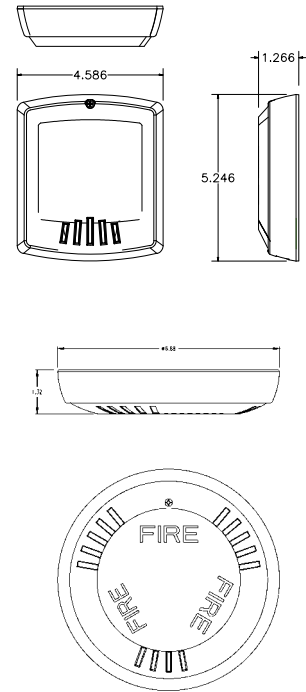
**Mounting:** Wall or Ceiling

**dBA Rating:** 90, 95, 99

**Voltage:** 12/24 VDC

**Backbox Mounting Options:** 1 gang, 2 gang, 4" sq., 3.5" octal

**Approvals:** UL, ULC, FM, CSFM



### Wall Mount Horns

Model Number	Finish
HNR	Red
HNW	White

Mounting Options: II, JJ

### Ceiling Mount Horns

Model Number	Finish
HNRC	Red
HNWC	White

Mounting Options: II, JJ

### Horn Ratings per UL Anechoic

Model	Regulated Voltage Range VDC	99 dB	95 dB	90 dB
HN	16.0-33.0	0.064	0.044	0.022
HNC	16.0-33.0	0.084	0.044	0.022

Model	Regulated Voltage Range VDC	99 dB	95 dB	90 dB
HN	8.0-17.5	0.047	0.026	0.017
HNC	8.0-17.5	0.047	0.026	0.017



# Series HS/HS4 Wall & Ceiling Horns and Horn Strobes



**Available features and options:**

- 2-4 wire applications
- Selectable candela

**Finish Color:** Red or White

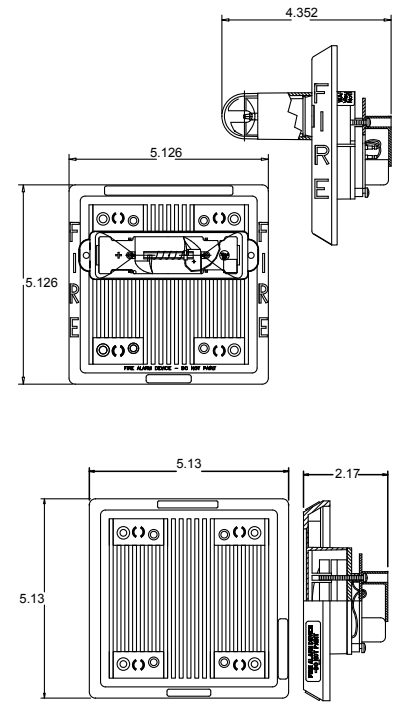
**Mounting:** Wall or Ceiling

**dBA Rating:** 90, 95, 99

**Voltage:** 24 VDC

**Strobe Candela:**  
Wall: 15/30/75/110cd

**Approvals:** UL, MEA, CSFM, FM, ULC



Wall Mount Horn Strobes		
Model Number	Finish	Order Code
<b>15/30/75/110cd</b>		
HS4-24MCW-FR	Red	3150
HS4-24MCW-FW	White	3151
HS4-24MCW-NW	White, No Lettering	3154
Mounting Options: D, E, F, L, M, O, P, R		

Wall or Ceiling Mount Horns		
Model Number	Finish	Order Code
HS-24-R	Red	3152
HS-24-W	White	3153
Mounting Options: D, E, F, L, M, O, P, R		

UL Max. Strobe Current	16-33 VDC				
	15cd	30cd	75cd	110cd	1575cd
	0.060	0.092	0.165	0.220	0.101

# Series MT Multitone and Multitone Strobes



## Available features and options:

- 4 wire applications
- 8 selective signals to provide superior sound penetration for various ambient and wall conditions
- 2 selectable sound outputs

**Finish Color:** Red or White

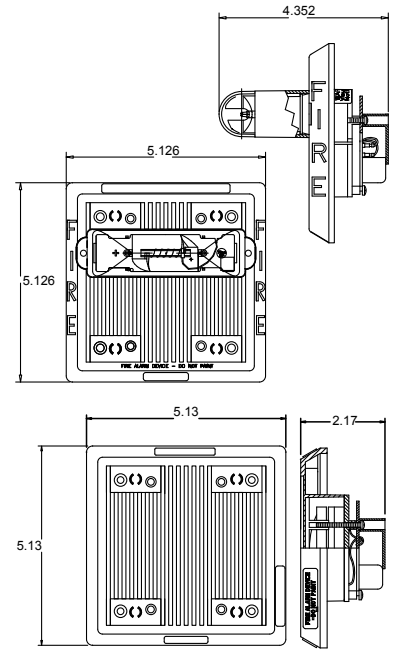
**Mounting:** Wall or Ceiling

**Voltage:** 12, 24 VDC, 115 VAC (Model dependent)

### Strobe Candela:

Wall: 15/30/75/110cd or 1575cd (single-candela)

**Approvals:** UL, MEA, CSFM, FM, ULC



### Wall Mount Multi-tone Strobes

15/30/75/110cd	Finish/Ltr	Order Code
MT-24MCW-FR	Red	3301
MT-24MCW-FW	White	3302
MT-24MCW-AR	Red, Alarm	3304
MT-24MCW-NW	White, No Ltr	3305

### 1575cd

MT-121575W-FR	Red	8421
MT-121575W-FW	White	9460
MT-121575W-NW	White, No Ltr	9747

Mounting Options: D, E, F, J, L, M, N, O, P, R (MT)

### Wall or Ceiling Mount Multi-tones

Model Number	Finish	Order Code
MT-12/24-R	Red	5023
MT-12/24-W	White	5024

Mounting Options: D, E, F, L, M, N, O, P, R

UL Max. Strobe Current	16-33 VDC					
15/75 cd (8-17.5 VDC)	15cd	30cd	75cd	110cd	15/75cd	
	0.255	0.060	0.092	0.165	0.220	0.090

UL Max. Current	16-33 VDC		8-17.5 VDC		120 VAC	
	HI Out	STD Out	HI Out	STD Out	HI Out	STD Out
Horn	0.108	0.044	0.176	0.034	0.050	0.042
Bell	0.053	0.024	0.095	0.020	0.041	0.039
March Time Horn	0.104	0.038	0.142	0.034	0.050	0.040
Code-3 Horn	0.091	0.035	0.142	0.034	0.050	0.042
Code-3 Tone	0.075	0.035	0.105	0.021	0.042	0.040
Slow Whoop	0.098	0.037	0.142	0.035	0.050	0.042
Siren	0.104	0.036	0.152	0.030	0.045	0.041
Hi/Lo	0.057	0.025	0.114	0.026	0.042	0.039

dBA	dBA @ 10 ft. (UL Reverberant)				dBA @ 10 ft. (anechoic)		dBA @ 10 ft. (UL Reverberant)	
	16-33 VDC		8-17.5 VDC		8-17.5 and 16-33 VDC		120 VAC	
	HI Out	STD Out	HI Out	STD Out	HI Out	STD Out	HI Out	STD Out
Horn	92	87	92	87	99	93	88	82
Bell	86	80	86	80	92	87	82	75
March Time Horn	89	84	89	84	99	93	85	79
Code-3 Horn	88	83	88	83	99	93	85	75
Code-3 Tone	85	80	85	80	95	90	79	75
Slow Whoop	90	85	90	85	99	94	88	82
Siren	89	84	89	84	98	93	85	82
Hi/Lo	86	81	86	81	93	88	82	79

# Series **AMT** Multitone and Multitone Strobes



### Available features and options:

- 2-8 wire applications
- 3 distinct prioritized audible signals from 3 isolated inputs
- Ideal for combination fire and burglary and suppression systems

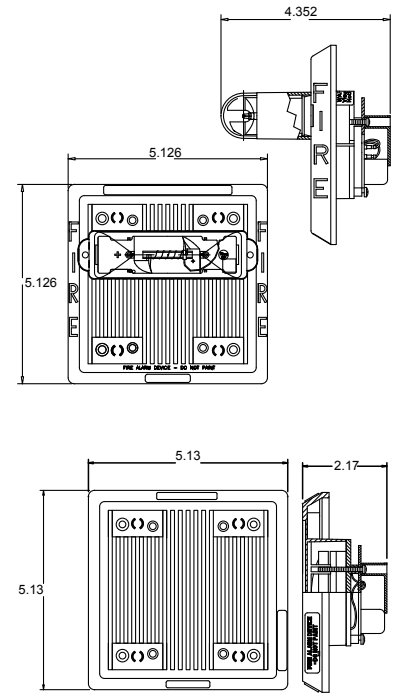
**Finish Color:** Red or White

**Mounting:** Wall or Ceiling

**Voltage:** 12/24 or 24 VDC

**Strobe Candela:** 15/30/75/110cd

**Approvals:** UL, MEA, CSFM, FM, ULC



### Wall-mount Multi-tone Strobes

Model Number	Finish/Ltr	Order Code
<b>15/30/75/110cd</b>		
AMT-24MCW-FR	Red	3300
AMT-24MCW-FW	White	3302
AMT-24MCW-NW	White, No LTR	5587

Mounting Options: D, E, F, L, M, N, O, P, R

### Wall or Ceiling Mount Multi-tones

Model Number	Finish	Order Code
AMT-12/24-R	Red	5887
AMT-12/24-W	White	5893
AMT-12/24-R-NYC	Red	7920

Mounting Options: D, E, F, L, M, N, O, P, R

### UL Max. Strobe Current

#### 16-33 VDC

15cd	30cd	75cd	110cd	1575cd
0.060	0.092	0.165	0.220	0.101

#### 16-33 VDC

#### 8-17.5 VDC

	HI Out	STD Out	HI Out	STD Out
Horn	0.108	0.043	0.210	0.058
Bell	0.057	0.026	0.117	0.031
March Time Horn	0.108	0.035	0.210	0.059
Code-3 Horn	0.108	0.043	0.210	0.057
Code-3 Tone	0.060	0.030	0.168	0.052
Slow Whoop	0.112	0.044	0.182	0.056
Siren	0.102	0.038	0.177	0.055
Hi/Lo	0.064	0.030	0.131	0.028
Vibrating Chime	0.041	0.020	0.090	0.028

# Series MIZ Horns



## Available features and options:

- High sound output with low current draw
- Ideal for alarm signaling in individual rooms, apartments, hotels, and offices

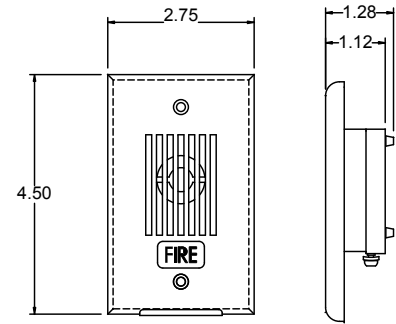
**Finish Color:** Red or White

**Mounting:** Wall, single-gang boxes

**dBA Rating:** 78-87, Continuous or Code 3 Output

**Voltage:** 24 VDC

**Approvals:** UL, MEA, CSFM, FM, ULC



## Wall Mount Mini Horn

Model Number	Finish	Order Code
MIZ-24S-R	Red	8485
MIZ-24S-W	White	8484

Mounting Options: B

## UL Max. Current

16-33 VDC	0.026
-----------	-------

24 VDC	Reverberant dBA Per UL 464 @ 10 ft		Anechoic dBA @ 10 ft	
	Continuous	Code 3	Continuous	Code 3
	83	78	87	87

# Series Exceder LED Wall Strobes



## Available features and options:

- Energy Efficient & Environmentally Friendly
- Low-Profile Design
- Easy-to-Install

**Finish Color:** Red or White

**Lens Color:** Clear or Amber

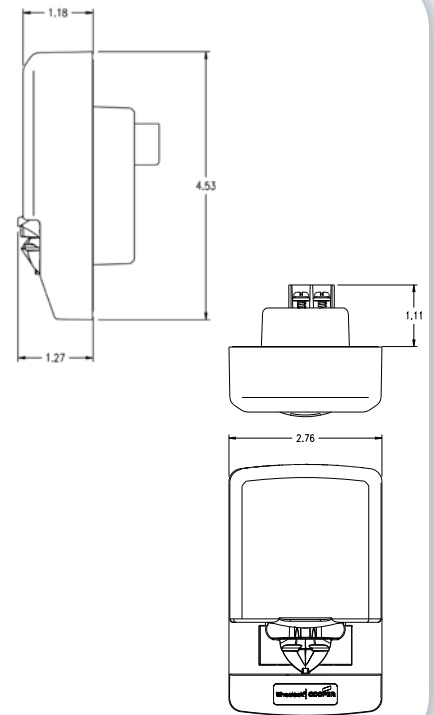
**Mounting:** Wall

**dBA Rating:** 90 or 95

**Voltage:** 24 VDC

**Strobe Candela:** 15/30/75/110cd

Approvals: UL, ULC, CSFM



Model Number	
<b>Strobes</b>	
LSTR	Red, Clear Lens
LSTW	White, Clear Lens
LSTR-ALA	Red, Amber Lens, Alert Lettering
LSTW-ALA	White, Amber Lens, Alert Lettering
LSTR-NA	White, Amber Lens, No Lettering
LSTW-NA	White, Amber Lens, No Lettering
Mounting Options: LL	

Strobe Ratings per UL 1971 & Anechoic at 24 VDC						
Model	Regulated Voltage Range VDC	UL Max Current*				
		15cd	30cd	75cd	110cd	
LST	16.0-33.0	0.032	0.045	0.128	0.246	



# Series Exceder Wall and Ceiling Strobes



## Available features and options:

**Finish Color:** Red or White

**Mounting:** Wall or Ceiling

**Voltage:** Selectable 12/24 VDC

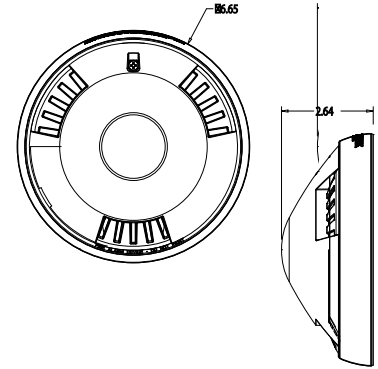
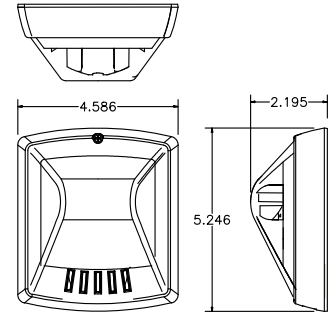
**Strobe Candela:**

Selectable Wall: 15/1575/30/75/95/110/135/185

Ceiling: 15/30/60/75/95/115/150/177

**Backbox Mounting Options:** 1 gang, 2 gang, 4" sq., 3.5" octal

**Approvals:** UL, ULC, FM, CSFM



### Wall or Ceiling Mount Horns

Model Number	Finish
STR	Red
STW	White
STRC	Red
STWC	White

Mounting Options: II, JJ

### Strobe Ratings per UL Standard 1638

Model	Regulated Voltage Range VDC	UL Max Current*													
		24 VDC / 24 FWR												12 VDC	
		15	1575	30	60	75	95	110	115	135	150	177	185	15	1575
ST	8.0-33.0	0.057	0.070	0.085	-	0.135	0.163	0.182	-	0.205	-	-	0.253	0.110	0.140
STC**	8.0-33.0	0.061	-	0.085	0.103	0.135	0.163	-	0.182	-	0.205	0.253	-	0.110	-

# Series **RSS** Wall and Ceiling Strobes



## Available features and options:

- Wide-range of intensities

**Finish color:** Red or White

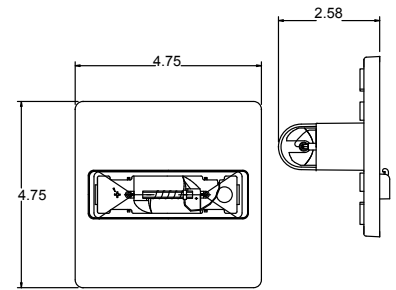
**Mounting:** Wall or Ceiling

**dBA Rating:** 90, 95

**Voltage:** 24 VDC

**Strobe Candela:** Wall Mount 15/30/75/110cd  
Ceiling Mount 15/30/75/95cd

**Approvals:** UL, MEA, CSFM, FM, BFP, ULC



### Wall Mount Strobes

Model Number	Finish/LTR	Order Code
<b>15/30/75/110cd</b>		
RSS-24MCW-FR	Red	9400
RSS-24MCW-FW	White	9401
RSS-24MCW-NR	Red, No Ltr	3190
RSS-24MCW-NW	White, No Ltr	8219
RSS-24MCW-ALR	Red, Alert Ltr	4840
RSS-24MCW-ALW	White, Alert Ltr	5842
RSS-24MCW-AR	Red, Agent Ltr	9773
RSS-24MCW-BW	White, Help Ltr	9775
RSS-24MCW-DW	White, Door Ltr	9776
Mounting Options: B, D, E, F, G, H, J, N, O, P, R, X		

### Ceiling Mount Strobes

Model Number	Finish	Order Code
<b>15/30/75/95cd</b>		
RSS-24MCC-FR	Red	3157
RSS-24MCC-FW	White	3158
RSS-24MCC-NW	White, No Ltr	3183
RSS-24MCC-ALW	White, Alert Ltr	4004
Mounting Options: B, D, E, F, G, H, J, N, O, P, R, X		

UL Max.Current	16-33 VDC			
Model	15cd	30cd	75cd	110cd
RSS - Wall	0.060	0.092	0.165	0.220

UL Max.Current	16-33 VDC			
Model	15cd	30cd	75cd	95cd
RSS-Ceiling	0.065	0.105	0.189	0.249

# Series **RSSP** Strobe Plates



## Available features and options:

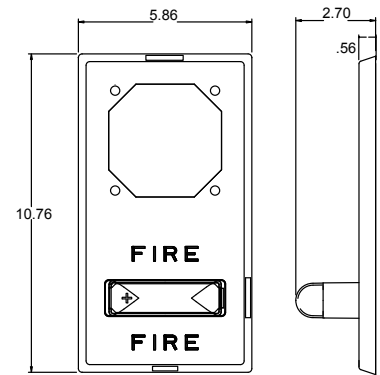
- Designed for retrofitting existing audible appliances to strobe applications

**Finish color:** Red or White

**Mounting:** Wall

**Strobe Candela:** 15/30/75/95/110cd

**Approvals:** UL, MEA, CSFM, FM, BFP, ULC



## Strobe Plates

Model Number	Finish	Order Code
--------------	--------	------------

### 15/30/75/110cd

RSSP-24MCW-FR	Red	9402
RSSP-24MCW-FW	White	9403
RSSP-24MCW-NR	Red	3795
RSSP-24MCW-NW	White	3188

## UL Max.Current

**16-33 VDC**

Model	15cd	30cd	75cd	110cd
RSS - Wall	0.060	0.092	0.165	0.220

# Series 43T Vibrating AC Bells



## Available features and options:

- Aluminum bell housing
- Screw terminal connections
- Integral RFI suppression minimizes induced noise on alarm lines
- Semi-flush mounting to standard 4" square backboxes or surface mounting to Wheelock's surface backboxes

**Finish color:** Red or Gray

**Mounting:** Wall

**Sell Size:** 6" and 10"

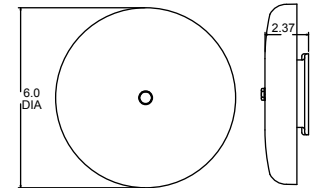
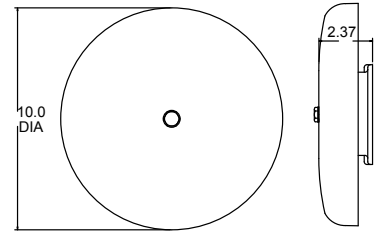
**Input Voltage:** 24 or 115 VAC

**dBA @ 10 Feet:** 85

**Input Current:** .0410 (24 VAC), 0.085 (115 VAC)

**Applications:** Indoor or Outdoor (Vandal resistant)

**Approvals:** UL, CSFM, FM, BFP, ULC



Model Number	Finish	Order Code
<b>6" Bells</b>		
43T-G6-24-R	Red	1627
43T-G6-24-S	Silver	1626
43T-G6-115-R	Red	1631
43T-G6-115-S	Silver	1630
<b>10" Bells</b>		
43T-G10-24-R	Red	1647
43T-G10-24-S	Silver	3800
43T-G10-115-R	Red	1651
43T-G10-115-S	Silver	3693
Mounting Options: D, E, J, K, N, O, P, R, S		

Input Current	24 VAC	115 VAC	dBA @ 10 ft.
	0.666	0.117	85

# Series MB Motor Bells



## Available features and options:

- Replaceable Grills
- Standard Backboxes
- Strobe Synchronization

**Finish color:** Red or Gray

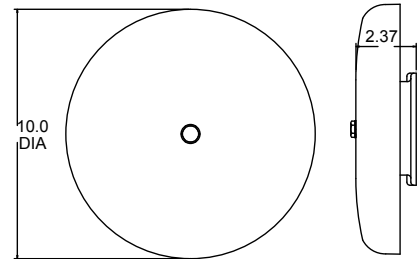
**Mounting:** Wall

**Sell Size:** 6" and 10" models

**Input Voltage:** 12 or 24 VDC

**dBA @ 10 Feet:** 92

**Approvals:** UL, MEA, CSFM, FM, BFP

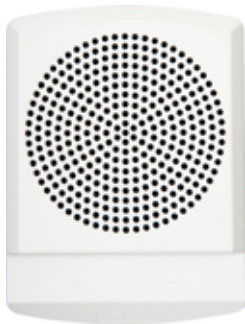


Model Number	Finish	Order Code
<b>6" Bells</b>		
MB-G6-12-R	Red	3942
MB-G6-12-S	Silver	4221
MB-G6-24-R	Red	3941
MB-G6-24-S	Silver	4222
<b>10" Bells</b>		
MB-G10-12-R	Red	3944
MB-G10-12-S	Silver	4223
MB-G10-24-R	Red	3943
MB-G10-24-S	Silver	4224
Mounting Options: D, E, J, K, N, O, P, R, S		

UL Max. Current	16-33 VDC	8-17.5 VDC	dBA @ 10 ft.
	0.040	0.090	92



# Series Exceder LED Speaker Strobes and Speakers



## Available features and options:

- Energy Efficient & Environmentally Friendly
- Low-Profile Design
- High Fidelity Sound Output

**Finish Color:** Red or White

**Mounting:** Wall

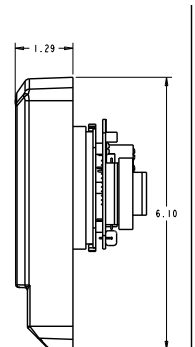
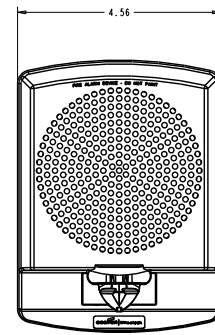
Frequency Range: 300-8000 Hz

**Input Voltage:** Selectable 25/70 VRMS

**Selectable Taps:** 1/8 - 2 Watts

**Strobe Candela:** 15/30/75/110

Approvals: UL, ULC, CSFM



## Model Number

### Speakers

LSPKR

LSPKW

### Speaker Strobes

LSPSTR Red, Clear Lens

LSPSTW White, Clear Lens

LSPSTW-ALA White, Amber Lens, Alert Lettering

LSPSTR-ALA Red, Amber Lens, Alert Lettering

LSPSTW-NA White, Amber Lens, No Lettering

LSPSTR-NA Red, Amber Lens, No Lettering

LSPSTW-AL White, Clear Lens, Alert Lettering

LSPSTR-AL Red, Clear Lens, Alert Lettering

LSPSTW-N White, Clear Lens, No Lettering

LSPSTR-N Red, Clear Lens, No Lettering

Mounting Options: NN

## UL Max.Current

## 16-33 VDC

Model	15cd	30cd	75cd	110cd
LSPST	0.032	0.045	0.128	0.246

## UL Reverberant dBA @ 10 Feet

Watts	1/8	1/4	1/2	1	2
LSPST	75	79	79	82	85
LSPK	75	79	79	82	85

# Series E50H, E60H, E70H and E90H High Fidelity Speakers



## Available features and options:

- Aluminum bell housing
- Screw terminal connections
- Integral RFI suppression minimizes induced noise on alarm lines
- Semi-flush mounting to standard 4" square backboxes or surface mounting to Wheelock's surface backboxes

**Finish Color:** Red or White

**Mounting:** Wall or Ceiling

Frequency Range: 300-8000 Hz

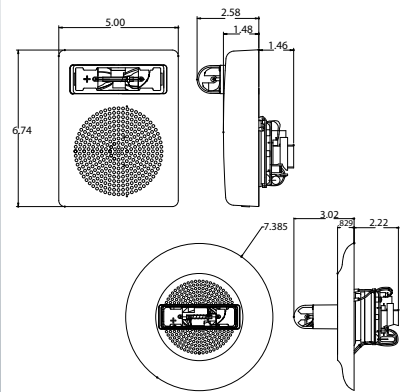
**Input Voltage:** Selectable 25/70 VRMS

**Selectable Taps:** 1/8 - 2 Watts

**Strobe Candela:** 15/30/75/110 or 135/185 (wall)

15/30/75/95 or 115/177 (ceiling)

Approvals: UL, ULC, CSFM



Model Number	Order Code
<b>Wall Mount Speaker Strobe</b>	
E50H-24MCW-FR	0092
E50H-24MCW-FW	0093
E50H-24MCWH-FR	0094
E50H-24MCWH-FW	0097
Mounting Options: E, BB	
<b>Ceiling Mount Speaker Strobe</b>	
E60H-24MCC-FR	0187
E60H-24MCC-FW	0188
E60H-24MCCH-FR	0189
E60H-24MCCH-FW	0190
Mounting Options: E	
<b>Wall or Ceiling Mount Speaker</b>	
E50H-R	9863
E50H-W	9864
E60H-R	9867
E60H-W	9874
Mounting Options: E, AA (E50 Only)	

UL Max.Current	16-33 VDC					
Model	15cd	30cd	75cd	110cd	135cd	185cd
E50H/E70H	0.060	0.092	0.165	0.220	0.300	0.420
Model	15cd	30cd	75cd	95cd	115cd	177cd
E60H/E90H	0.065	0.105	0.189	0.249	0.300	0.420

Model Number	Order Code
<b>Wall Mount Speaker Strobe</b>	
E70H-24MCW-FR	0183
E70H-24MCW-FW	0184
E70H-24MCWH-FR	0185
E70H-24MCWH-FW	0186
Mounting Options: P, Q	
<b>Ceiling Mount Speaker Strobe</b>	
E90H-24MCC-FR	0191
E90H-24MCC-FW	0192
E90H-24MCCH-FR	0193
E90H-24MCCH-FW	0194
Mounting Options: P, Q	
<b>Wall or Ceiling Mount Speaker</b>	
E70H-R	9865
E70H-W	9866
E90H-R	9875
E90H-W	9876
Mounting Options: P, Q	

Watts	1/8	1/4	1/2	1	2
E50H Speaker	73	76	79	82	84
E50H Speaker Strobe	73	76	79	82	84
E60H Speaker	74	77	80	83	85
E60H Speaker Strobe	74	77	80	82	85
E70H/E90H Speaker	72	75	78	81	82
E70H Speaker Strobe	71	75	78	81	83
E90H Speaker Strobe	74	77	80	82	85

# Series E50/E60 Wall and Ceiling Speakers and Speaker Strobes



## Available features and options:

- High efficiency design for maximum output at minimum wattage across a frequency range of 400 to 4000Hz
- Snap on grill cover with no visible mounting screws
- Synchronize with Wheelock DSM or Wheelock Power Supplies with built-in sync protocol

**Finish color:** Red or White

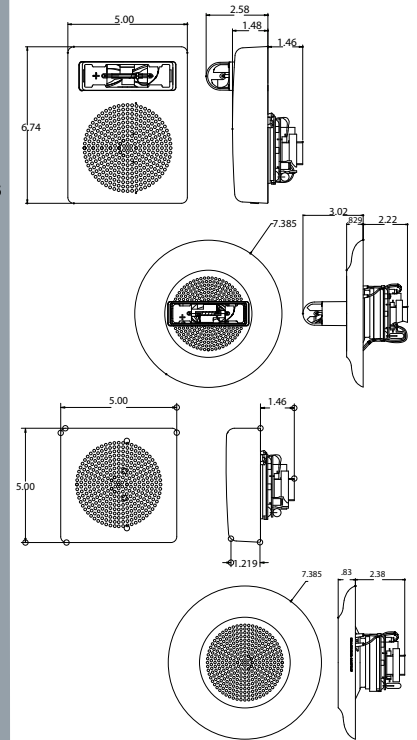
**Mounting:** Wall or Ceiling

**Input Voltage:** Selectable 25/70 VRMS

**Selectable Taps:** 1/8 - 2-8 Watts

**Strobe Candela:** Wall: Selectable 15/30/75/110  
Ceiling: Selectable 15/30/75/95

**Approvals:** UL, MEA, CSFM, FM, BFP



### Wall Mount Speakers

Model Number	Finish	Order Code
E50-R-ULC	Red	3945
E50-W-ULC	White	3982

Mounting Options: E, AA

### Ceiling Mount Speakers

Model Number	Finish	Order Code
E60-R-ULC	Red	
E60-W-ULC	White	4017

Mounting Options: Q, U, V, EE

### Wall Mount Speaker Strobes

Model Number	Finish	Order Code
15/30/75/110cd		
E50-24MCW-FR-ULC	Red	3880
E50-24MCW-FW-ULC	White	3883

Mounting Options: E, BB

### Ceiling Mount Speaker Strobes

Model Number	Finish	Order Code
15/30/75/95cd		
E60-24MCC-FR-ULC	Red	
E60-24MCC-FW-ULC	White	4062

Mounting Options: Q, U, V, EE

### UL Max.Current 16-33 VDC

Model	15cd	30cd	75cd	110cd
E50	0.060	0.092	0.165	0.220
Model	15cd	30cd	75cd	95cd
E60	0.065	0.105	0.189	0.249

# Series ET1080 Speakers and Speaker Strobes



## Available features and options:

- Sealed back speaker
- Fast installation with IN/OUT screw terminals using #12 to #18 AWG wiring
- Vandal resistant die cast grills
- High efficiency design for maximum output; frequency range of 400- 4000Hz

**Finish color:** Red or White

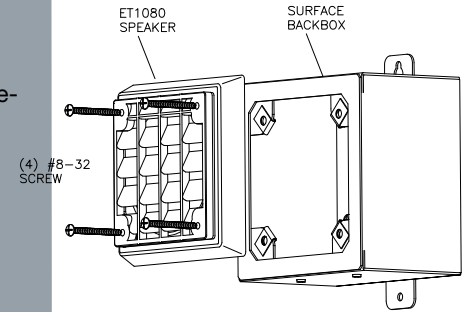
**Mounting:** Flush or surface mounting

**Input Voltage:** Selectable 25/70 VRMS

**Selectable Taps:** 1/8 - 8 Watts

**Applications:** Indoor or Outdoor (vandal resistant)

**Approvals:** UL, MEA, CSFM, FM, BFP, ULC



## Wall or Ceiling Mount Speakers

Model Number	Finish	Order Code
ET-1080-R-ULC-D	Red	9834
ET-1080-W-ULC-D	White	9835

Mounting Options: Q, GG, MM\*\*

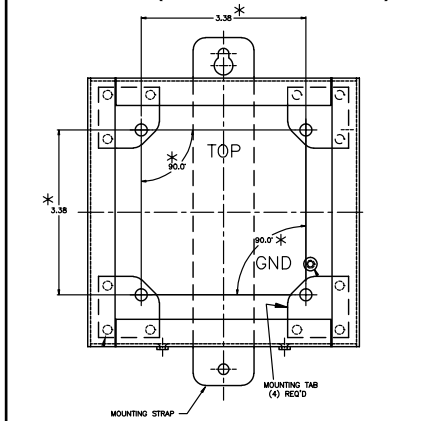
\*Refer to specification sheet S7000 for mounting option details.

\*\*For ET-1080 outdoor applications, only mounting option II is applicable.

## UL Reverberant dBA @ 10 Feet

Watts	UL Reverberant dBA @ 10 Feet							Mounting
	1/8	1/4	1/2	1	2	4	8	
ET-1080	80+	83+	86	89	92	94	97	Flush
	80+	83+	86	89	92	94	97+	Outdoor Flush
81+	84+	86	89	92	94	97+	Surface	

## MM - OSB (Used with ET1080)



# Series **STH-15S** Supervised Horn Loudspeaker



## Available features and options:

- Equipped with compression driver providing up to 15 watts of power
- Superior intelligibility and dispersion

**Finish color:** Red or Gray

**Mounting:** Wall or Ceiling

**Power Rating:** 15 Watt Continuous

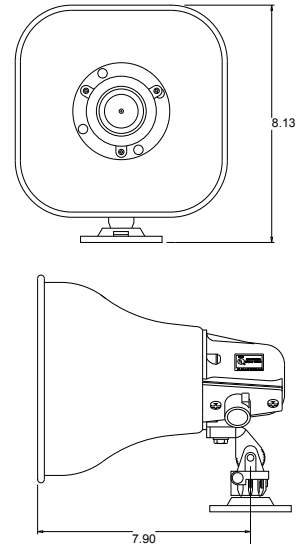
**Frequency Response:** 400-4,000 Hz

**Sensitivity:** 102 dB @ 15 Watts @ 10ft

**Dispersion:** 70° (-6 dB @ 2,000 Hz Octave Band)

**Transformer:** 25/70/100V

**Approvals:** UL Standard 1480, CSFM



### Horn

Model Number	Finish	Order Code
STH-15S-ULC	Gray	8207
STH-15SR-ULC	Red	0046

Mounting Options: L, O, P, Q, R, U, Y

### Adapter Plate

Model Number	Finish	Order Code
SHMP-R	Red	8154

### Anechoic Measurement

Code 3 Tone	107.2 dBA
Slow Whoop	108.5 dBA
Siren	107.8 dBA

Setting	Impedance (Ohms)	70.7 Volts		25 Volts		100 Volts	
		Watts	dB@ 10 ft	Watts	dB @10 ft	Watts	dB @10 ft
1	5,000	0.9W	93	Not used	Not used	2.0W	93
2	2,500	1.8W	96	Not used	Not used	4.0W	96
3	1,300	3.8W	96	0.48W	90	7.5W	99
4	666	7.5W	99	0.94W	90	15.0W	102
5	333	15.0W	102	1.8W	93	Not used	Not used
6	89	Not used	Not used	7.5W	99	Not used	Not used
7	45	Not used	Not used	15.0W	102	Not used	Not used



# Series DSM Sync Module



## Available features and options:

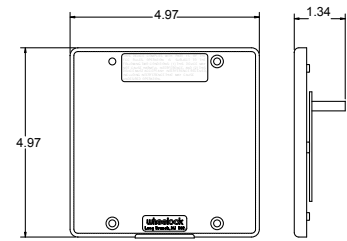
- Uniquely designed to accept an independent strobe and audible input from the FACP and convert to a single output that connects to Wheelock's Series Exceder, or AS family of audible strobes
- Series DSM Sync Modules can also be used to synchronize Wheelock's Series RSS, RSSP and SLM Sync Strobes
- 3 ampere per circuit current handling at 12 or 24 VDC
- Compatible with all standard fire alarm control panels
- Meets the NFPA-72 requirement for Temporal Pattern when used with the Series AS/AH and/or Series Exceder
- 3 year warranty

**Finish color:** Red

**Mounting:** Wall

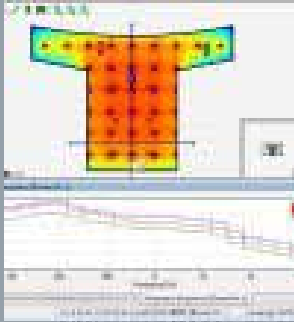
**Voltage:** 12 or 24 VDC (3 ampere per circuit)

**Approvals:** UL, CSFM, MEA, BFP, FM, ULC



Model Number	Finish	Order Code
DSM-12/24-R	Red	6374

# EASE Evac Software



Available exclusively from AMFG  
To order EASE Evac software or  
register for a trial version, visit:  
<http://evac.afmg.eu/>

For technical support on EASE  
Evac:

Email: [support-us@afmg.eu](mailto:support-us@afmg.eu)

Hotline: 855-411-2364

Cooper Notification is not endorsing,  
supporting or selling AFMG's EASE  
Evac voice evacuation software.  
We are pleased to offer speaker  
data files for EASE Evac to help  
integrators and installers design for  
intelligibility. Cooper Notifications  
makes no representations  
whatsoever with regard to the  
quality or function of AFMG's EASE  
Evac software.

EASE and AFMG are registered  
trademarks of AFMG Technologies  
GmbH.

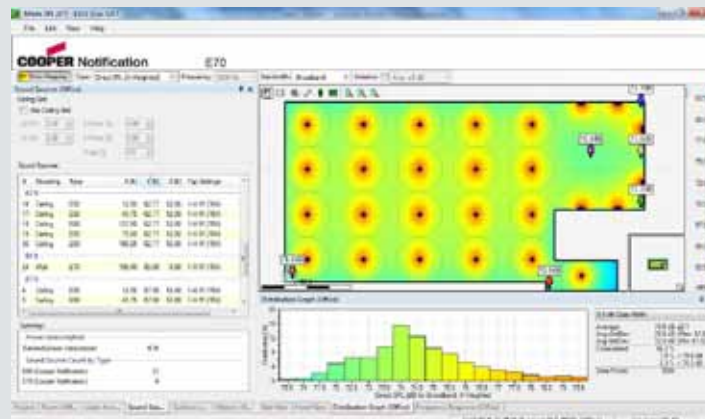
Cooper Notification is pleased to offer speaker data files for the EASE Evac Software program. The GLL files include data on our full product line from indoor Hi-Fidelity Speakers to outdoor High Power Speaker Arrays.

- Import of image files, Google Sketchup, AutoCAD DXF as well as EASE models as a basis for the entry of room geometry by mouse or in a table.
- Auto-arrange function for fast layout of ceiling-mounted sound systems.
- Insertion and modification of individual ceiling- and wall-mounted sound sources.
- Top view, side, and front view for easy loudspeaker placement and intuitive investigation of sound distribution in the vertical plane.
- Mapping of Direct SPL (Z or A-Weighted), Total SPL (Z or A-Weighted), S/N Ratio.
- Room acoustic calculations based on definition of reverberation time or assignment of acoustic materials to surfaces according to Eyring & Sabine.
- Mapping of speech intelligibility as STI (IEC 60268-16), CIS, ALCons.
- Analysis in 1/3rd octave, 1/1 octave, 3/1 octave bandwidth or broadband, frequency range from 100 Hz to 10 kHz.
- Relative mapping function and distribution graph for statistical analysis of coverage.
- Frequency response plots for multiple receiver locations, relative or absolute display.
- Section plan for user-defined mappings in the vertical plane.
- Printable report document including all results and drawing details.
- Export of drawings in AutoCAD DXF, Google Sketchup, EASE formats or as image file.
- Calculation engine based on EASE 4.3 industry standard for electro- and room acoustic modeling.
- Expandable database of common noise levels, surface materials, 3D objects and sound sources.
- Supports multiple rooms within one project.
- Display and data entry in metric units or US units.
- User-defined colors and window layout.

To import Cooper Notification speaker data files:

Click on the following link and scroll to Cooper Notification Speaker (GLL) Files - EASE Evac Software.

<http://www.coopernotification.com/software>



# Series MTWP, RSSWP, ASWP, AHWP Weatherproof Appliances



## Available features and options:

- Weatherproof with extended temperature range of -31°F to 150°F
- Dual Listed strobe models (UL 1638 and UL 1971)
- Industry's highest strobe candela options
- Synchronize using the Wheelock Sync Modules or panels with built-in Wheelock Patented Sync Protocol
- Models with field selectable tone, dBA and candela settings
- Surface of semi-flush mounting
- IN/OUT wiring termination accepting two #12-18 AWG wires at each terminal

**Finish color:** Red or White

**Mounting:** Wall or Ceiling

**Input Voltage:** Selectable 25/70 VRMS

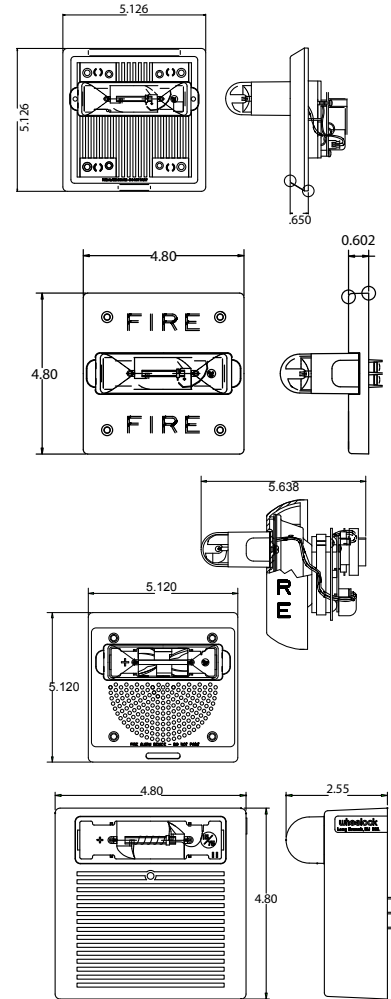
**Voltage:** 24 VDC

**Selectable Taps:** 1/8 - 8 Watts

**Strobe Candela:** Selectable 135/185 (Wall models); 115/177 (Ceiling models) or 2475

**Temperature:** -31°F to 150°F

**Approvals:** UL, CSFM, FM, MEA, ULC (model dependent)



## Backboxes, Plates, Gasket Kits

Mounting Options:	Surface Mount		Flush Mount
	Exposed Conduit	Concealed Conduit	
RSSWP Strobes	WPSBB	WPSBB + WP-KIT	WFP
ASWP Horn Strobes	WPBB	WPBB + WP-KIT	WFPA
AHWP Horns	WBB	-	WFP
MTWP Multitone Strobes	IOB	IOB + WP-KIT	WFP

Model Number	Finish	Order Code
<b>Multitone Strobe Wall</b>		
MTWP-2474W-FR	Red	8420
MTWP-2475W-FW	White	3112
MTWP-2475W-NW	White, No ltr	3112
<b>Multi-Tone Horn</b>		
MT-12/24-R	Red	5023
<b>Audible Strobe Wall</b>		
ASWP-2475W-FR	Red	9077
ASWP-2475W-FW	White	3179
ASWP-24MCWH-FR	Red	5137
ASWP-24MCWH-FW	White	5140
<b>Audible Strobe Ceiling</b>		
ASWP-2475C-FR	Red	4251
ASWP-2475C-FW	White	4502
ASWP-24MCCH-FR	Red	5149
ASWP-24MCCH-FW	White	5157
<b>Audible</b>		
AH-24WP-R	Red	7416
<b>Speaker Wall or Ceiling</b>		
ET-1080-R-ULC-D	Red	9834
ET-1080-W-ULC-D	White	9835
<b>Wall Strobe</b>		
RSSWP-2475W-FR	Red	9013
RSSWP-2475W-FW	White	3034
RSSWP-24MCWH-FR	Red	5161
RSSWP-24MCWH-FW	White	5165
<b>Ceiling Strobe</b>		
RSSWP-2475C-FR	Red	4338
RSSWP-2575C-FW	White	4446
RSSWP-24MCCH-FR	Red	5167
RSSWP-24MCCH-FW	White	5187

UL Max. Current (Audible)	MTWP/MT 16-33 VDC		MT 8-17.5 VDC	
	HI	STD	HI	STD
dBA				
Horn	0.108	0.044	0.177	0.034
Bell	0.053	0.024	0.095	0.020
March Time	0.104	0.038	0.142	0.034
Code 3 Horn	0.091	0.035	0.142	0.034
Code 3 Tone	0.075	0.035	0.105	0.021
Slow Whoop	0.098	0.037	0.142	0.035
Siren	0.104	0.036	0.152	0.030
Hi/Lo	0.057	0.025	0.114	0.026

UL Max. Current	AH	
	16-33 VDC	8-17.5 VDC
High (99) dBA	0.080	0.192
Med (95) dBA	0.043	0.108
Low (90) dBA	0.021	0.058

#### Mounting Options

Model Number	Finish	Order Code
<b>Flush Plates</b>		
WFPA-R	Red	5698
WFPA-W	White	4701
WFP-R	Red	4696
WFP-W	White	4697
<b>Gasket Kit</b>		
WP-KIT <sup>1</sup>		4486
<b>Backboxes</b>		
IOB-R	Red	5046
IOB-W	White	5047
WPSBB-R	Red	9751
WPSBB-W	White	3033
WPBB-R	Red	9014
WPBB-W	White	4692
WBB-R	Red	2959
WBB-W	White	2960

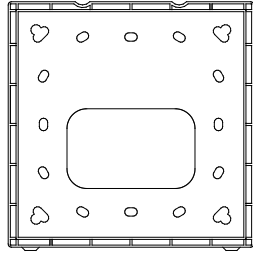
Candela Ratings							
Series	UL 1971	UL 1638 @ 77°F	UL 1638 @ -40°F	RSS and MTWP UL Max Current	ASWP		
					High	Med	Low
2475	30**	180	115	0.138	0.168	0.155	0.150
MCWH	135	135	56	0.300	0.355	0.340	0.335
	185	185	77	0.420	0.480	0.465	0.460
MCCH	115	115	47	0.300	0.355	0.340	0.335
	177	177	73	0.420	0.480	0.465	0.460

<sup>1</sup>WP-KIT - Allows for surface mounting of a weatherproof back box to a recessed electrical box.

# Mounting Options

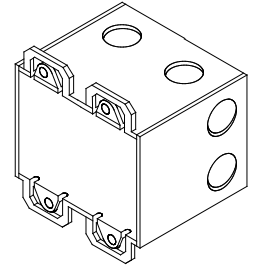
## (A) UNIVERSAL MOUNTING PLATE

"AS" Mounting



## (F) DOUBLE-GANG, FLUSH (BO)

See Notes 4

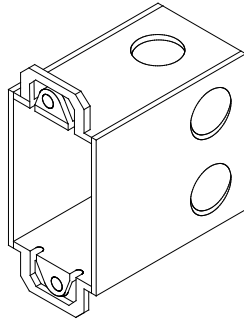


### MAXIMUM NUMBER OF CONDUCTORS

AWG. #18	AWG. #16	AWG. #14	AWG. #12
4	4	4	4

## (B) SINGLE-GANG, FLUSH (BO)

See Notes 1 & 8



### MAXIMUM NUMBER OF CONDUCTORS

AWG. #18	AWG. #16	AWG. #14	AWG. #12
4	4	4	4

Used with Series AH, AS, MIZ, NH, NS, RSS

## (G) DOUBLE-GANG, SURFACE (BO)

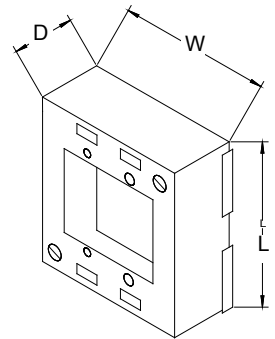
See Note 5

L.	W.
4-3/4"	4-3/4"
D.	GANG #
1-3/4"	2

### MAXIMUM NUMBER OF CONDUCTORS

AWG. #18	AWG. #16	AWG. #14	AWG. #12
4	4	4	4

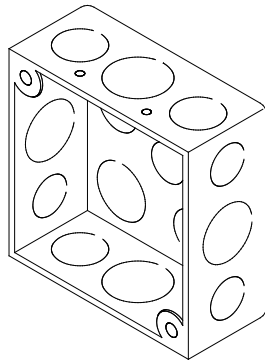
Used with Series AH, AS, NH, NS, RSS



## (D) 4" SQUARE, FLUSH (BO)

See Note 2

1-1/2" Deep



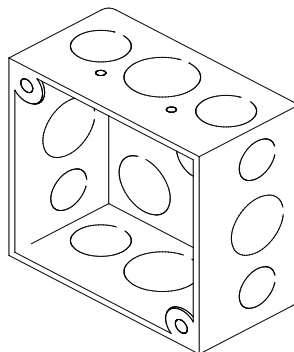
### MAXIMUM NUMBER OF CONDUCTORS

AWG. #18	AWG. #16	AWG. #14	AWG. #12
4	4	4	4

## (E) 4" SQUARE, DEEP, FLUSH (BO)

See Note 3

2-1/8" Deep



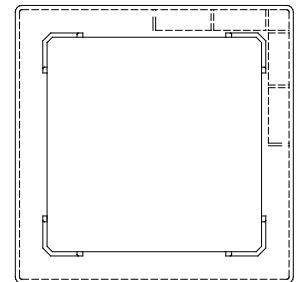
### MAXIMUM NUMBER OF CONDUCTORS

AWG. #18	AWG. #16	AWG. #14	AWG. #12
8	8	8	8

Used with Series 31T, 43T, AMT, AH, AS, ET-1010, HS4, HS, MB, MT, MT4, NH, NS, RSS, RSSP

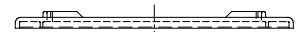
## (H) NATP (Order Codes: Red 8440, White 8441)

5.25"



5.25"

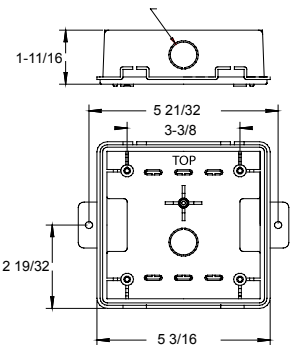
Thickness: 13/64"



Used with Series AH, AS, NH, NS, RSS

## (I) WPBB (Order Code: 9014)

For surface mounting AS outdoor products.



### MAXIMUM NUMBER OF CONDUCTORS

AWG. #18	AWG. #16	AWG. #14	AWG. #12
8	8	8	8

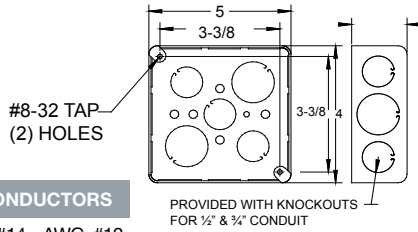
Used with Series ASWP Weatherproof

# Mounting Options

## (J) BB BACKBOX (Order Codes: Red 2830, Gray 2349)

Standard steel backbox with knockouts for interior surface mounting, concealed conduit mounting or semi-flush applications. It is painted to match the signal.

See Note 9

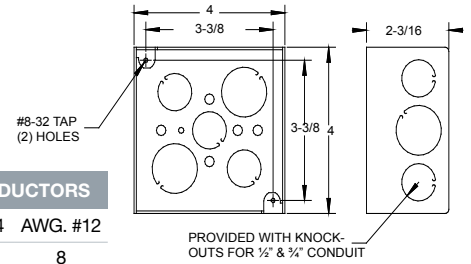


MAXIMUM NUMBER OF CONDUCTORS			
AWG. #18	AWG. #16	AWG. #14	AWG. #12
4	4	4	4

Used with Series 31T, 43T, AH, AS, MB, MT4, NH, NS, RSS

## (N) DBB BACKBOX (Order Code: 2955)

Standard steel backbox provided with knockouts for interior surface mounting, concealed conduit mounting or semi-flush applications. It is painted to match the signal.



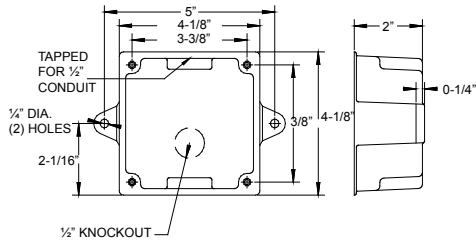
MAXIMUM NUMBER OF CONDUCTORS			
AWG. #18	AWG. #16	AWG. #14	AWG. #12
8	8	8	8

Used with Series 31T, 43T, AMT, AH, AS, ET-1010, HS4, HS, MB, MT, MT4, NH, NS, RSS

## (K) WBB WEATHER RESISTANT BACKBOX

(Order Codes: Red 2959, White 2411)

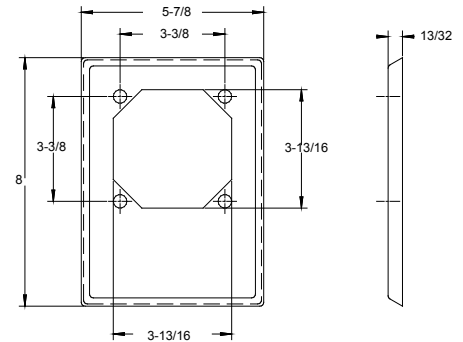
Sturdy die cast housing, threaded conduit hole and knockout for outdoor applications. It is painted to match the signal.



MAXIMUM NUMBER OF CONDUCTORS			
AWG. #18	AWG. #16	AWG. #14	AWG. #12
4	4	4	4

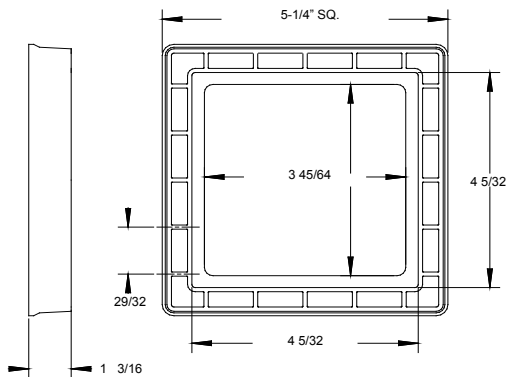
Used with Series 31T, 43T, AHWP, ET-1010, MB, MT4

## (O) RP-R RETROFIT PLATE (Order Code: 5042)



Used with Series 31T, 43T, AMT, AH, AS, CH70, E70, ET70, ET-1010, ET-1080, HS4, HS, MB, MT, MT4, NH, NS, RSS

## (L) ISP2 SURFACE ADAPTER (Order Code: Red 3194, White 3195)

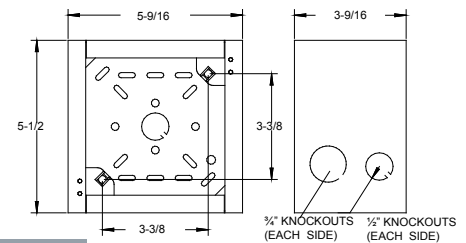


Used with Series AMT, CH70, E70, ET70, HS4, HS, MT

## (P) SBB BACKBOX (Order Codes: Red 3204, White 3193)

For surface mounting speakers, chimes, and electronic applications.

See Note 11



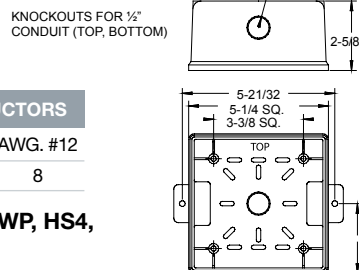
MAXIMUM NUMBER OF CONDUCTORS			
AWG. #18	AWG. #16	AWG. #14	AWG. #12
8	8	8	8

Used with Series 43T, AMT, CH70, E70, ET70, ET-1080, HS4, HS, MB, MT, NH, NS, RSS

## (M) IOB BACKBOX (Order Codes: Red 5046, White 5047)

For surface mounting MT products.

See Note 10



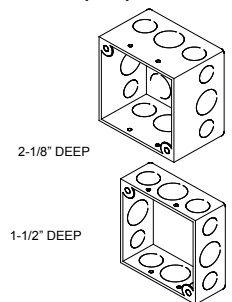
MAXIMUM NUMBER OF CONDUCTORS			
AWG. #18	AWG. #16	AWG. #14	AWG. #12
8	8	8	8

Used with Series AMT, ET70WP, HS4, HS, MT, MTWP

## (Q) 4" SQUARE DEEP W/ EXTENSION RING, FLUSH (BO)

See Note 6

EXT. RING DEPTH	1-1/2"	2-1/8"
AWG. #18	8	8
AWG. #16	8	8
AWG. #14	8	8
AWG. #12	4	8

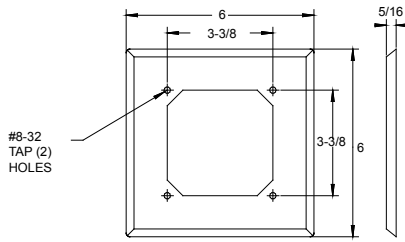


Used with Series CH70, CH90, E70, ET70, E90, ET90, ET-1080

# Mounting Options

## (R) SFP SEMI-FLUSH PLATE (Order Codes: Red 2957, White 2958)

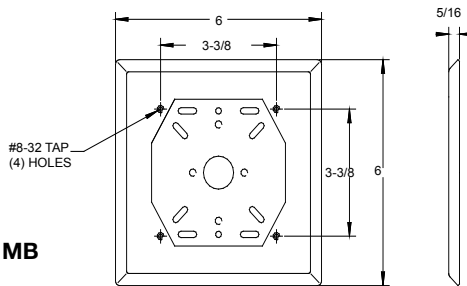
Stamped aluminum surface wall plate which mounts behind the basic unit and serves to cover recessed backboxes in semi-flush mounting applications. It is painted to match the signal.



Used with Series 31T, 43T, AMT, AH, AS, CH70, E70, ET70, ET-1010, ET-1080, HS4, HS, MB, MT, MT4, NH, NS, RSS

## (S) AP ADAPTER PLATE (Order Code: 2961)

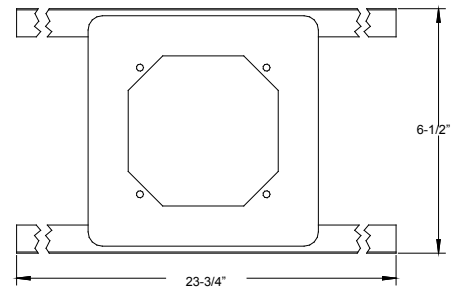
Stamped aluminum adapter plate designed for applications where semi-flush installations cannot be used. The plate can be mounted to standard octagon or round backboxes single or double gang boxes or plaster rings. The backbox and basic unit are then fastened to the plate. This type mounting is referred to as a concealed conduit installation. It is painted to match the signal.



Used with Series 43T, MB

## (V) SSB-4 CEILING SUPPORT BRIDGE (Order Code: 3380)

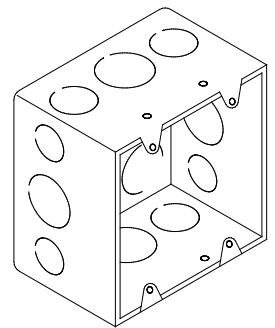
Provisions for (4) J-nuts #8-32 ib 3-3/8" square Material: Steel



Used with Series CH70, CH90, E70, ET70, E90, ET90, ET-1080

## (W) 4 11/16" SQUARE, DEEP SURFACE (B0)

See Note 7

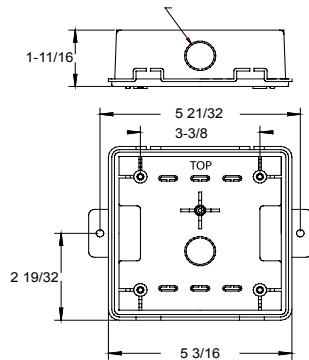


### MAXIMUM NUMBER OF CONDUCTORS

AWG. #18	AWG. #16	AWG. #14	AWG. #12
10	10	10	10

Used with Series DSM

## (T) WPSBB-R (Order Codes: Red 9751, White 3033)

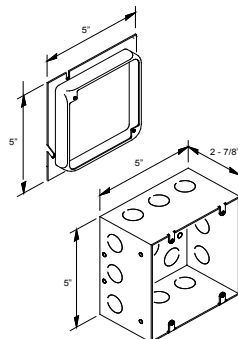


### MAXIMUM NUMBER OF CONDUCTORS

AWG. #18	AWG. #16	AWG. #14	AWG. #12
8	8	8	8

Used with Series RSSWP Weatherproof

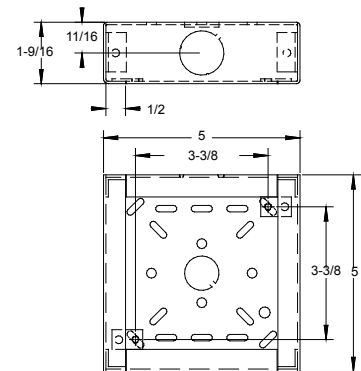
## (U) 5" SQUARE BACKBOX W/ EXTENSION RING, FLUSH (B0)



Used with Series CH70, CH90, E70, ET70, E90, ET90, ET-1080

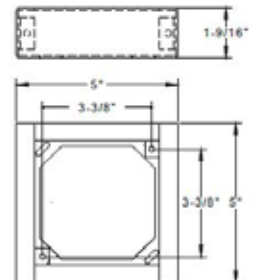
## (X) SHBB SQUARE, SURFACE BACKBOX

(Order Codes: Red 7254, White 7255)



Used with Series 43T, AH, AS, MB, NH, NS, RSS

## (Y) SER-R SQUARE SEMI-FLUSH EXTENSION RING (Order Codes: Red 3045, White 3049)



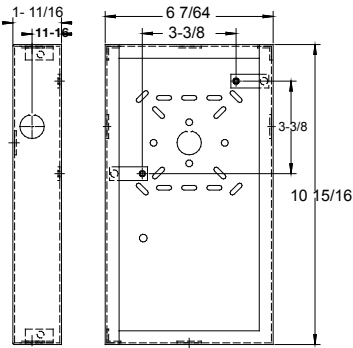
Used with Series CH70 E70, ET70



# Mounting Options

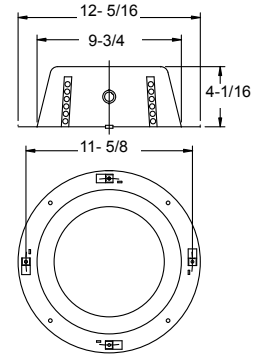
**(Z) SBL-2 BACKBOX (Order Codes: Red 6988, White 6989)**

See Note 12



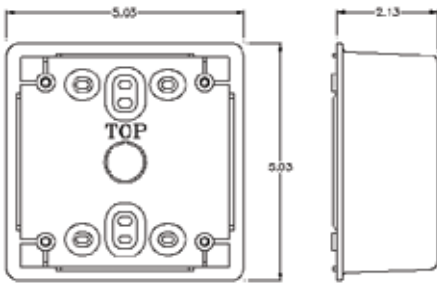
Used with Series RSSP

**(DD) CBB-8 8" CEILING SPEAKER BACKBOX (Order Code: 3314)**



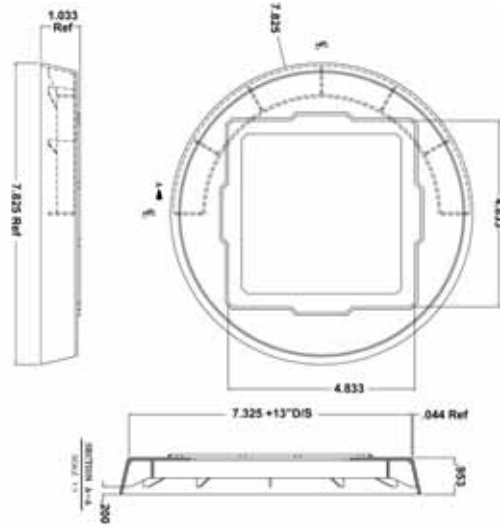
Used with Series S8" Ceiling Speakers

**(AA) E50SB-R (Order Codes: Red 0230, White 0231)**

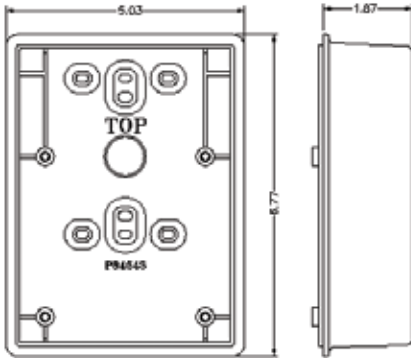


Used with Series E50

**(EE) E60 EXTENSION RING (Order Code: Red 3578, White 3757)**

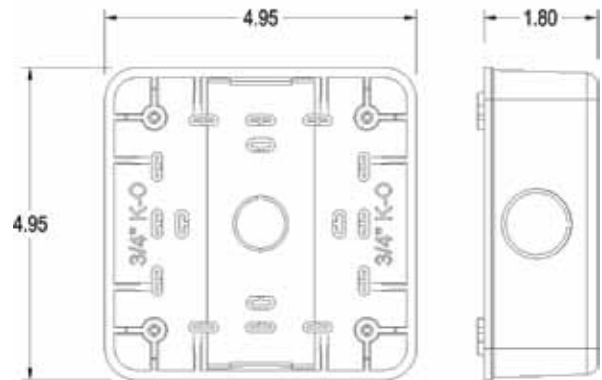


**(BB) E50SSB-R (Order Codes: Red 0232, White 0233)**

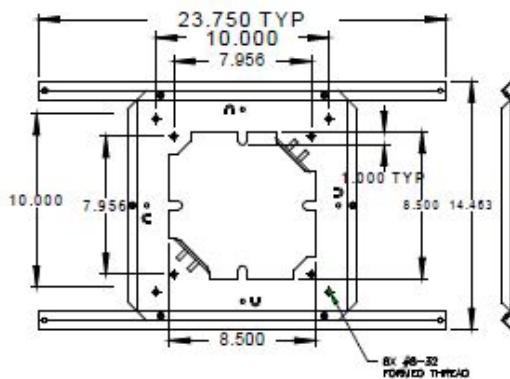


Used with Series E50

**(FF) ZBB (Order Codes: Red 6036, White 6045)**



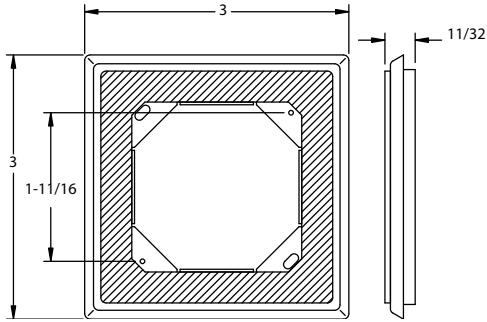
**(CC) SSB-8 8" CEILING SUPPORT BRIDGE (Order Code: 3573)**



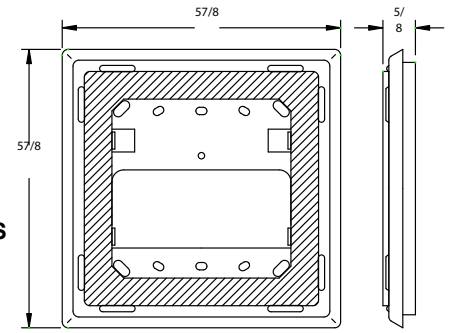
Used with Series S 8" Ceiling Speakers

# Mounting Options

**(GG) WFP PLATE (Order Codes: Red 4696, White 4697)**

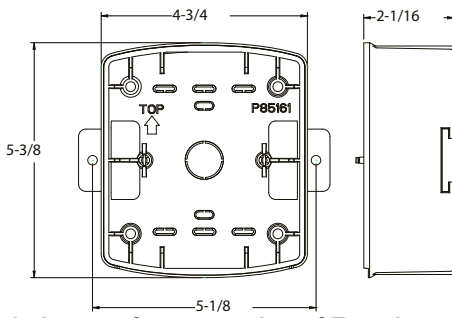


**(HH) WFPA PLATE (Order Codes: Red 4696, White 4697)**



**BACKBOX DIMENSIONS FOR MPS**  
**4-3/4" H x 3-1/4" W x 2-1/4" D**

**(II) ESB BACKBOX (Order Codes: Red 2749, White 2750)**



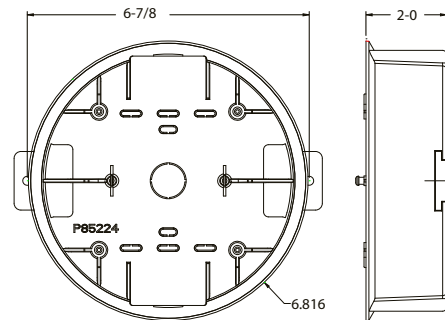
**For indoor surface mounting of Exceder products.**

MAXIMUM NUMBER OF CONDUCTORS  

AWG. #18	AWG. #16	AWG. #14	AWG. #12
4	4	4	4

**Used with Exceder ST, HS, HN**

**(JJ) ESBC BACKBOX (Order Codes: Red 2751, White 2752)**  
**For indoor surface mounting of Exceder products.**

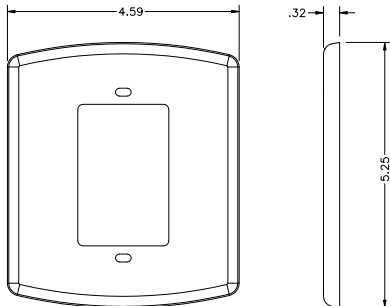


MAXIMUM NUMBER OF CONDUCTORS  

AWG. #18	AWG. #16	AWG. #14	AWG. #12
4	4	4	4

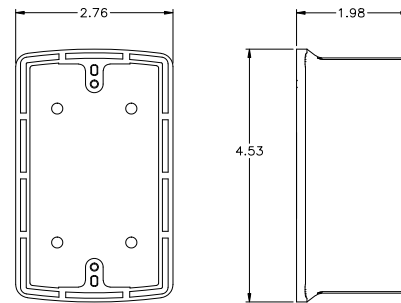
**Used with Exceder STC, HSC, HNC**

**(KK) ESB-KIT (Order Codes: Red 0533, White 0534)**  
**Trim Plate Kit for Exceder LED**



**Used with Exceder LST, LHS, LHN**

**(LL) LSBB BACKBOX (Order Codes: Red 2402, White 2403)**



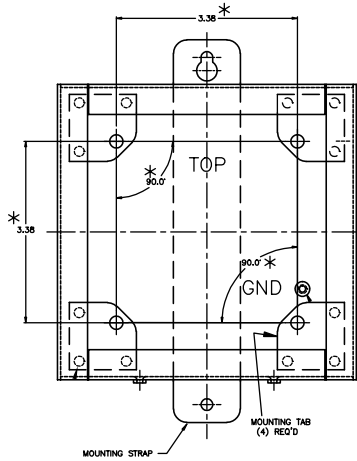
**For indoor surface mounting of Exceder LED products.**

MAXIMUM NUMBER OF CONDUCTORS  

AWG. #18	AWG. #16	AWG. #14	AWG. #12
4	4	4	4

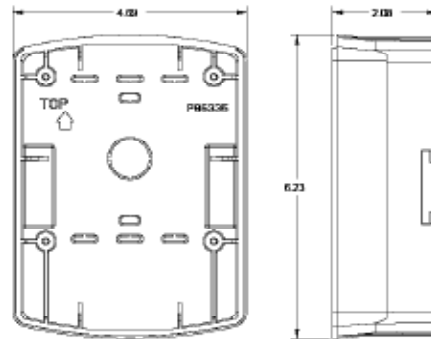
**Used with Exceder LST, LHS, LHN**

**(MM) OSB**



**Used with ET1080**

**(NN) LSPKBB BACKBOX (Order Codes: Red 0756, White 0757)**



**For indoor surface mounting of Exceder LED Speaker products.**

MAXIMUM NUMBER OF CONDUCTORS

AWG. #18	AWG. #16	AWG. #14	AWG. #12
4	4	4	4

**Used with Exceder LSPK, LSPST**

- FIGURE B IS TYPICAL OF A STEEL CITY LXM-WOW BOX OR EQUAL. FIGURE B SHOULD BE A 3.5" DEEP BACKBOX FOR CONDUIT INSTALLTIONS AND IS TYPICAL OF A STEEL CITY CY-½ BOX OR EQUAL.
- FIGURE D IS TYPICAL OF A STEEL CITY 52151 BOX OR EQUAL.
- FIGURE E IS TYPICAL OF A STEEL CITY 52171 BOX OR EQUAL.
- FIGURE F IS TYPICAL OF TWO STEEL CITY LXM-WOW BOXES OR EQUAL.
- FIGURE G IS TYPICAL OF A WIREMOLD 5748-2 BOX OR EQUAL.
- FIGURE Q IS TYPICAL OF A STEEL CITY 52171 BOX WITH A STEEL CITY 53151 EXTENSION RING OR EQUAL.
- FIGURE W IS TYPICAL OF A STEEL CITY 72171-1 BOX OR EQUAL.
- USE 3.5 DEEP BACKBOX ON ALL MIZ PRODUCTS WHEN EMT CONDUIT IS USED.
- WHEN USED WITH AC HORN (J), "BB" MUST BE USED FOR SURFACE MOUNT.
- HS4, HS, MT OR MTWP STROBE ARE FOR OUTDOOR MOUNTING.
- USE WITH SERIES RSSP.
- FIGURE U IS TYPICAL OF A RANDL INDUSTRIES BACKBOX. ("Total Number of conductors shall be in accordance with NEC table 314.16 (B)").

# Mounting Options

	Series E90/ET90	Series RSS/RSSR	Series RSSP	Series 31T	Series E50	Series 43T Bells	Series CH	Series ET80	Series ET1010	Series MB Motor Bells	Series E70/ET70	Series E60	Series MIZ/MIZ-TC	Series MT	Series HS4/HS	Series SM/D5M	Series AMT	Series ASI/AH	Series RSSWP(1), ASWP(2), AHWP(3), MTWP(4), MT-12/24(4), ET70WP(4)	Series S8	Series Z	Series Exceder - STC, HSC, HNC	Series Exceder - ST, HS, HN	Series Exceder LED - LST, LHS, LHN	Series Exceder LED - LSPK, LSPST
(A) Universal Mounting Plate																									
(B) 1-GANG x 2" Deep - Flush (BO) Note 1 & 8		X											X												
(D) 4" x 4" x 1.5" Deep - Flush (BO) Note 2		X	X	X		X				X															
(E) 4" x 4" x 2.125 Deep - Flush (BO) Note 3		X	X	X	X	X		X		X				X	X		X	X							
(F) 2-Gang x 3.5" Deep - Flush (BO) Note 4 & 8		X												X	X		X	X							
(G) 2-Gang x 1.75" Deep - Surface (BO) Note 5		X																							
(H) NATP Trim Plate		X																							
(I) WPBB-R Weatherproof Backbox for ASWP																									2
(J) BB Surface (WSI) Note 9		X		X	X					X															
(K) WBB Weatherproof (WSI)				X	X			X	X																3
(L) ISP Adapter (WSI) for Square Products							X	X						X	X		X								
(M) IOB Surface & Weatherproof (WSI) Note 10											X			X	X		X								4
(N) DBB Surface (WSI)		X	X	X	X				X	X				X	X		X	X							
(O) RP-R Retrofit Plate		X	X	X	X	X	X	X	X					X	X		X	X							
(P) SBB Surface (WSI) Note 11	X	X				X	X	X	X	X				X	X		X								
(Q) 4" x 4" x 2.125" Box w/ 1.5" Extension Ring- Flush (BO) Note 6	X		X				X	X			X	X													
(R) SPT Semi-Flush Plate (WSI)		X	X	X	X	X	X	X	X	X				X	X		X	X							
(S) AP Adapter Plate (WSI)						X		X	X	X															
(T) WPSBB-R Weatherproof Backbox for RSSWP																									1
(U) 5" Square Backbox w/ Extension Ring, Flush (BO)	X						X	X				X													
(V) SSB-4 Ceiling (WSI) Support Bridge	X						X	X			X	X													
(W) 4.6875" x 4.6875" x 2.125" Deep Surface (BO)																X									
(X) SHBB (WSI) Shallow Surface		X				X				X															
(Y) SER Semi-Flush Extension Ring (Retrofit Appl.)	X						X				X														
(Z) SBL-2 Surface (WSI) Note 11		X	X	X		X	X	X	X																
(AA) E50SB Backbox for E50 Speaker					X																				
(BB) E50SSB Backbox for E50 Speaker Strobe					X																				
(CC) SSB-8 8" Speaker Support Tile Bridge																									X
(DD) CBB-8 8" Ceiling Speaker Backbox																									X
(EE) E60 Extension Ring												X													
(FF) ZBB																									X
(II) ESB Backbox																									X
(JJ) ESBC Backbox																									X
(LL) LSBB Backbox																									X
(NN) LSPKBB Backbox																									X

Data Sheet Number(s)

## MOUNTING NOTES

▲ Caution: The mounting options figures show the maximum number of field wires (conductors) that can enter the backbox used with each mounting option. If these limits are exceeded, there may be insufficient space in the backbox to accommodate the field wires and stresses from the wires could damage the product. Although the limits shown for each mounting option comply with the National Electrical Code (NEC), Wheelock recommends use of the largest backbox option and the use of approved stranded field wires whenever possible, to provide additional wiring room for easy installation and minimum stress on the product from wiring.

▲ Caution: Check that the installed product will have sufficient clearance and wiring room prior to installing backboxes and conduit, especially if sheathed multiconductor cable or 3/4" conduit fittings are used.

1. Mounting hardware for each mounting option is supplied.
2. Conduit entrances to the backbox should be selected to provide sufficient wiring clearance for the installed product. When extension rings are required, conduit should enter through the backbox, not the extension ring. Use Steel City #53151 (1-1/2" deep) or #53171 (2-1/8" deep) extension rings (as noted in the mounting options) or equal with the same cut-out area.
3. When terminating field wires, do not use more lead length than required. Excess lead length could result in insufficient wiring space for the appliance.
4. Use care and proper techniques to position the field wires in the backbox so that they use minimum space and produce minimum stress on the product. This is especially important for stiff, heavy gauge wires and wires with thick insulation or sheathing.
5. Do not pass additional wires (used for other than the appliance) through the backbox "unless the backbox is of a sufficient size to permit additional wiring as described in NEC 314.16 (B)". Such additional wires could result in insufficient wiring space for the appliance.

NOTE: Due to continuous development of our products, specifications and offerings are subject to change without notice in accordance with Wheelock Inc. standard terms and conditions.

# BACKBOX MOUNTING HEIGHTS for WHEELLOCK WALL MOUNTED HORIZONTAL STROBE APPLIANCES

NFPA-72 (2002)

7.5.4\* Appliance Location. Wall-mounted appliances shall be mounted such that the entire lens is not less than 2.0 m (80 in.) and not greater than 2.4 m (96 in) above the finished floor.

Backbox Mounting Options*	Series RSSP Flush and Surface Retrofit Plate		Series Exceder - ST, HS, HN		Series RSS Strobe		Series MT and AMT Multitone Strobe		Series Exceder LED - LST, LHS, LHN		Series Exceder LED Speakers - LSPK, LSPST	
	80 IN	6 IN	80 IN	6 IN	80 IN	6 IN	80 IN	6 IN	80 IN	6 IN	80 IN	6 IN
(B) 1-Gang x 2" Deep - Flush (BO)			80 <sup>3</sup> / <sub>4</sub>	5 <sup>1</sup> / <sub>4</sub>	79 <sup>1</sup> / <sub>8</sub>	6 <sup>7</sup> / <sub>8</sub>			79	7		
(D) 4" x 4" x 1.5" Deep - Flush (BO)	83 <sup>15</sup> / <sub>16</sub>		80 <sup>1</sup> / <sub>4</sub>	5 <sup>3</sup> / <sub>4</sub>	78 <sup>5</sup> / <sub>8</sub>	7 <sup>3</sup> / <sub>8</sub>	77 <sup>7</sup> / <sub>8</sub>	8 <sup>1</sup> / <sub>8</sub>			80 <sup>1</sup> / <sub>4</sub>	5 <sup>3</sup> / <sub>4</sub>
(E) 4" x 4" x 2.125" Deep - Flush (BO)	83 <sup>15</sup> / <sub>16</sub>		80 <sup>1</sup> / <sub>4</sub>	5 <sup>3</sup> / <sub>4</sub>	78 <sup>5</sup> / <sub>8</sub>	7 <sup>3</sup> / <sub>8</sub>	77 <sup>7</sup> / <sub>8</sub>	8 <sup>1</sup> / <sub>8</sub>			80 <sup>1</sup> / <sub>4</sub>	5 <sup>3</sup> / <sub>4</sub>
(F) 2-Gang x 3.5" Deep - Flush (BO)			80 <sup>3</sup> / <sub>4</sub>	5 <sup>1</sup> / <sub>4</sub>	79 <sup>1</sup> / <sub>8</sub>	6 <sup>7</sup> / <sub>8</sub>	78 <sup>3</sup> / <sub>8</sub>	7 <sup>5</sup> / <sub>8</sub>	79	7		
(G) 2-Gang x 1.75" Deep - Surface (BO)			79 <sup>7</sup> / <sub>8</sub>	6 <sup>1</sup> / <sub>8</sub>	78 <sup>1</sup> / <sub>4</sub>	7 <sup>3</sup> / <sub>4</sub>	77 <sup>1</sup> / <sub>2</sub>	8 <sup>1</sup> / <sub>2</sub>	79	7		
(M) IOB Surface & Weatherproof (WSI)							77 <sup>1</sup> / <sub>4</sub>	8 <sup>3</sup> / <sub>4</sub>				
(P) SBB Surface (WSI)							77 <sup>1</sup> / <sub>8</sub>	8 <sup>7</sup> / <sub>8</sub>				
(Q) 4" x 4" x 2.125" Box w/ 1.5" Extension Ring - Flush (BO)	83 <sup>15</sup> / <sub>16</sub>		80 <sup>1</sup> / <sub>4</sub>	5 <sup>3</sup> / <sub>4</sub>	78 <sup>5</sup> / <sub>8</sub>	7 <sup>3</sup> / <sub>8</sub>	77 <sup>7</sup> / <sub>8</sub>	8 <sup>1</sup> / <sub>8</sub>	78 <sup>1</sup> / <sub>2</sub>	7 <sup>1</sup> / <sub>2</sub>		
(U) 5" Square Backbox w/ Extension Ring, Flush (BO)	83 <sup>7</sup> / <sub>16</sub>				78 <sup>1</sup> / <sub>8</sub>	7 <sup>7</sup> / <sub>8</sub>	77 <sup>3</sup> / <sub>8</sub>	8 <sup>5</sup> / <sub>8</sub>				
(X) SHBB (WSI) Shallow Surface					78 <sup>1</sup> / <sub>8</sub>	7 <sup>7</sup> / <sub>8</sub>						
(Y) 4" x 4" x 1.5" Box w/ 1.5" Extension Ring Plate (BO)												
(Z) SBL-2 Surface (WSI)	80 <sup>1</sup> / <sub>2</sub>											
(II) ESB Backbox 5.375" x 4.75" x 2.0625"			79 <sup>9</sup> / <sub>16</sub>	6 <sup>7</sup> / <sub>16</sub>								
(LL) LSBB Backbox 4.53" x 2.76" x 1.98"									78 <sup>3</sup> / <sub>4</sub>	7 <sup>1</sup> / <sub>4</sub>		
(NN) LSPKBB Backbox 6.23" x 4.69" x 2.08"											78 <sup>1</sup> / <sub>2</sub>	7 <sup>1</sup> / <sub>2</sub>

Backbox Mounting Options*	Series CH70 Chime Strobe		Series ET80 Speaker Strobe		Series E70 Speaker Strobe		Series ET70 Speaker Strobe		Series SA-70S Self Amplified Speaker Strobe	
	80 IN	6 IN	80 IN	6 IN	80 IN	6 IN	80 IN	6 IN	80 IN	6 IN
(P) SBB Surface (WSI)	77 <sup>3</sup> / <sub>4</sub>	8 <sup>1</sup> / <sub>4</sub>	79 <sup>3</sup> / <sub>16</sub>	6 <sup>13</sup> / <sub>16</sub>	77 <sup>3</sup> / <sub>4</sub>	8 <sup>1</sup> / <sub>4</sub>	77 <sup>3</sup> / <sub>4</sub>	8 <sup>1</sup> / <sub>4</sub>	79 <sup>3</sup> / <sub>16</sub>	6 <sup>13</sup> / <sub>16</sub>
(Q) 4" x 4" x 2.125" Box w/ 1.5" Extension Ring - Flush (BO)	77 <sup>1</sup> / <sub>2</sub>	7 <sup>1</sup> / <sub>2</sub>	80	6	78 <sup>1</sup> / <sub>2</sub>	7 <sup>1</sup> / <sub>2</sub>	78 <sup>1</sup> / <sub>2</sub>	7 <sup>1</sup> / <sub>2</sub>	80	6
(U) 5" Square Backbox w/ Extension Ring - Flush (BO)	78	7	79 <sup>1</sup> / <sub>2</sub>	5 <sup>1</sup> / <sub>2</sub>	78	7	78	7	79 <sup>1</sup> / <sub>2</sub>	5 <sup>1</sup> / <sub>2</sub>
(X) SHBB (WSI) Shallow Surface										
(Y) 4" x 4" x 1.5" Box w/ 1.5" Extension Ring Plate - Flush (BO)	78 <sup>1</sup> / <sub>2</sub>	7 <sup>1</sup> / <sub>2</sub>	80	6						

\* Measured from Bottom of Backbox (Inches)

NOTES: (BO) = By Others; (WSI) = Wheelock Product

# Agency Approvals

Model	Agency Approvals*				
	UL	MEA	CSFM	FM	ULC
31T-115R	X	*	X	X	*
31T-115-R-ULC	X	X	X	X	X
43T-G10-115-R	X	*	X	X	X
43T-G10-24-R	X	*	X	X	X
43T-G6-115-R	X	*	X	X	X
43T-G6-24-R	X	*	X	X	X
AH-12WP-R	X	X	X	X	*
AH-24WP-R	X	X	X	X	X
AMT-12/24-R	X	X	X	X	X
AMT-12/24-R-NYC	X	X	X	X	X
AMT-241575-FR-NYC	X	X	X	X	*
AMT-241575W-FR	X	X	X	X	*
AMT-241575W-FW	X	X	X	X	*
AMT-24MCW-FR	X	*	X	X	X
AMT-24MCW-FW	X	*	X	X	X
ASWP-2475W-FR	X	*	X	*	X
CH70-241575-FR	X	X	X	*	*
CH70-24MCW-FR	X	X	X	*	*
CH70-24MCW-FW	X	X	X	*	*
CH70-24MCWH-FR	X	X	X	*	*
CH70-24MCWH-FW	X	X	X	*	*
CH70-24-R	X	X	X	*	*
CH90-24MCC-FW	X	X	X	*	*
CH90-24MCCH-FW	X	X	X	*	*
CH90-24-W	X	X	X	*	*
CSX10-115-R (CSA)	X	X	X	*	*
CSX10-24-R (CSA)	X	X	X	*	*
CVX10-115-R (CSA)	X	X	X	*	*
E50-241575W-FR	X	X	X	X	*
E50-24MCW-FR	X	X	X	X	*
E50-24MCW-FW	X	X	X	X	*
E50-24MCWH-FR	X	X	X	X	*
E50-24MCWH-FW	X	X	X	X	*
E50-R	X	X	X	X	*
E50-24MCW-FR-ULC	X	*	*	*	X
E50-R-ULC	X	*	*	*	X
E60-W-ULC	X	*	*	*	X
E60-24MCC-FR	X	*	X	X	*
E60-24MCC-FW	X	*	X	X	*
E60-24MCCH-FR	X	*	X	X	*
E60-24MCCH-FW	X	*	X	X	*
E60-R	X	X	X	X	*
E60-W	X	X	X	X	*
E70-241575W-FN	X	X	*	X	*
E70-241575W-FR	X	X	*	X	*
E70-24MCW-FN	X	X	X	X	*
E70-24MCW-FR	X	X	X	X	*
E70-24MCW-FW	X	X	X	X	*
E70-24MCWH-FN	X	X	X	X	*
E70-24MCWH-FR	X	X	X	X	*
E70-24MCWH-FW	X	X	X	X	*
E70-N	X	X	X	X	*
E70-R	X	X	X	X	*
E90-24MCC-FN	X	X	X	X	*
E90-24MCC-FW	X	X	X	X	*
E90-24MCCH-FN	X	X	X	X	*
E90-24MCCH-FW	X	X	X	X	*
E90-N	X	X	X	X	*
E90-W	X	X	X	X	*
ET-1010-R	X	X	X	X	*

Model	Agency Approvals*				
	UL	MEA	CSFM	FM	ULC
ET-1010-W	X	X	X	X	*
ET-1080-R	X	X	X	X	*
ET70-241575W-FN	X	X	X	X	*
ET70-241575W-FR	X	X	X	X	*
Et70-24MCW-FN	X	X	X	X	*
ET70-24MCW-FW	X	X	X	X	*
ET70-24MCWH-FN	X	X	X	X	*
ET70-24MCWH-FR	X	X	X	X	*
ET70-24MCWH-FW	X	X	X	X	*
ET70-N	X	X	X	X	*
ET70-R	X	X	X	X	*
ET70WP-2475W-FR	X	X	X	X	*
ET80-241575W-FR	X	X	X	X	*
ET80-241575W-FW	X	X	X	X	*
ET80-24MCW-FR	X	X	X	X	*
ET80-24MCW-FW	X	X	X	X	*
ET80-24MCWH-FR	X	X	X	X	*
ET80-24MCWH-FW	X	X	X	X	*
ET90-24MCC-FN	X	X	X	X	*
ET90-24MCC-FW	X	X	X	X	*
ET90-24MCCH-FN	X	X	X	X	*
ET90-24MCCH-FW	X	X	X	X	*
ET90-N	X	X	X	X	*
ET90-W	X	X	X	X	*
HNR	X	*	X	X	X
HNRC	X	*	X	X	X
HNW	X	*	X	X	X
HNWC	X	*	X	X	X
HS-24-R	X	X	X	X	X
HS-24-W	X	X	X	X	X
HS4-241575W-FR	X	X	X	X	*
HS4-241575W-FW	X	X	X	X	*
HS4-24MCW-FR	X	X	X	X	X
HS4-24MCW-FW	X	X	X	X	X
HS4-24MCWH-FR	X	X	X	X	*
HS4-24MCWH-FW	X	X	X	X	*
HSR	X	*	X	X	X
HSRC	X	*	X	X	X
HSW	X	*	X	X	X
HSWC	X	*	X	X	X
LHN	X	*	X	*	X
LHS	X	*	X	*	X
LSPK	X	*	X	*	X
LSPST	X	*	X	*	X
LST	X	*	X	*	X
MB-G10-12-R	*	X	X	*	X
MB-G10-24-R	*	X	X	*	X
MB-G6-12-R	*	X	X	*	X
MB-G6-24-R	*	X	X	*	X
MIZ-24S-R	X	X	X	X	X
MIZ-24S-W	X	X	X	X	X
MT-12/24-R	X	X	X	X	X
MT-121575W-FR	X	X	X	X	X
MT-241575W-FR	X	X	X	X	*
MT-24MCW-FR	X	*	X	*	X
MT-24MCW-FW	X	*	X	*	X
MT4-115-R	X	X	X	*	*
MT4-115-WH-VFR	X	X	X	*	*
MTWP-2475W-FR	X	X	X	X	X

Model	Agency Approvals*				
	UL	MEA	CSFM	FM	ULC
PS-6	X	*	X	X	*
PS-8	X	*	X	X	*
RSS-121575W-FR	*	*	*	*	*
RSS-241575W-FR	X	X	X	X	*
RSS-24MCC-FW	X	X	X	X	X
RSS-24MCCH-FW	X	X	X	X	*
RSS-24MCCR-FW	*	*	*	*	*
RSS-24MCW-FR	X	X	X	X	X
RSS-24MCWH-FR	X	X	X	X	*
RSSP-121575W-FR	X	*	X	X	*
RSSP-241575W-FR	X	X	X	X	*
RSSP-24MCW-FR	X	X	X	X	X
RSSP-24MCWH-FR	X	X	X	X	*
RSSWP-2475W-FR	X	X	X	X	X
STR	X	*	X	X	X
STRC	X	*	X	X	X
STW	X	*	X	X	X
STWC	X	*	X	X	X



# Explosion-Proof and Hazardous Signaling

Cooper Notification offers a wide range of signaling devices for Explosion-Proof and Hazardous Applications.

- Strobes
- Horns, Speakers & Combo Unit
- Explosion-Proof & Hazardous Call Points, Bells, Relay, Pull Station, Heat Detector



# Series SM87 Strobes



## Available features and options:

- NEMA 4x & 6, IP66 & 67
- Light weight, corrosion resistant
- 4 wire monitored connection

**Lens color:** Red, Blue, Green, Yellow, Amber, Clear

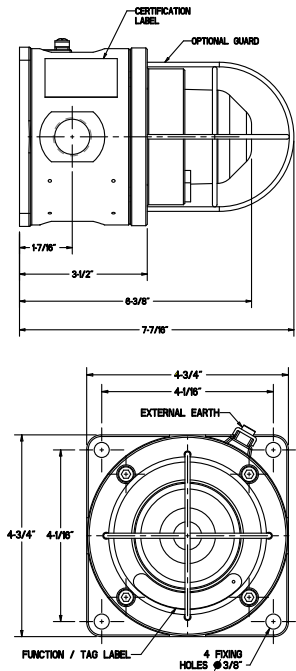
**Voltage:** 24 VDC, 48 VDC, 110 VAC, 120 VAC, 230 VAC, 240 VAC, 254 VAC

**Certified Temperature:** -67°F to +158°F (-55°C to +70°C)

**Weight:** 4.4lb (2.0 kg approx)

**Material:** LM25 TF Marine Grade Alloy

**Approvals:** UL, cUL, for Class 1, Div 1, Groups C & D, CSA Certified



Model Number	Finish	Order Code
SM87HXBAUL024RN4L4RNNR	STRB,RED LENS,24VDC,29CD, CLASS 1 DIV 1,RD	PX56201144
SM87HXBAUL024CN4L4RNNR	STRB,CLEAR LENS,24VDC,29CD,CLASS 1 DIV 1,RD	PX56201072
SM87HXBAUL110AN3R3LNNR	STRB,AMBER LENS,110VAC,29CD,CLASS 1 DIV 1,RD	PX869166

Additional configuration options available: Body & lens color, tag & duty labels, certification, lens guard, flash rate, voltages 24-48 VDC, 110-254 VAC., high temp version up to 185°F/85°C. See the SM87 product specification sheet or contact the Cooper Notification Customer Service Team.

	DC		AC 50/60 Hz				
Voltage	24	48	110	120	220	240	254
Peak Current Consumption (mA)	320	170	250	275	120	135	150
Effective Intensity	29	29	32	39	32	39	44
Tube Energy	5	5	6	7	6	7	8

Multiplying factor for colored lenses:	Red	Blue	Amber	Green	Yellow
	0.15	0.12	0.51	0.49	0.86

# Series XB11 Strobes



## Available features and options:

- NEMA 4x and 6, IP66 & 67
- Light weight, corrosion resistant
- 4 wire monitored connection
- Output 29 Candela

**Lens color:** Red, Blue, Green, Yellow, Amber, Clear

**Voltage:** 24VDC, 110 VAC, 240 VAC

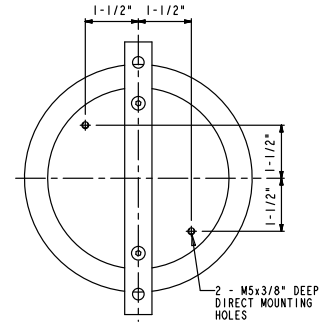
**Certified Temperature:** -67°F to +158°F  
(-55°C to +70°C)

**Finish:** Natural Black, Red, Blue, Yellow, Grey, White, Special Finish

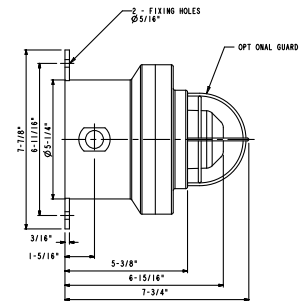
**Weight:** 5.5 lb (2.5kg)

**Material:** Corrosion Free GRP

**Approvals:** UL, cUL for Class 1, Div 2, Groups C & D



VIEW ON BASE SHOWING DIRECT MOUNTING HOLES



Model Number	Finish	Order Code
XB11UL02406CNBNNNR	STRB,CLEAR LENS,24VDC,29CD,CLASS 1 DIV 2,RD	PX869174
XB11UL02406RNBNNNR	STRB,RED LENS,24VDC,29CD,CLASS 1 DIV 2,BLK	PX869190
XB11UL02406RNBNNNR	STRB,RED LENS,24VDC,29CD,CLASS 1 DIV 2,RD	PX869171
XB11UL11006ANBNNNR	STRB,AMBER LENS,110VAC,29CD,CLASS 1 DIV 2,RD	PX869176
XB11UL11006RNBNNNR	STRB,RED LENS,110VAC,29CD,CLASS 1 DIV 2,RD	PX869175

Additional configuration options available: Body & lens color, tag & duty labels, lens guard, flash rate, certification, mounting method. voltages 24 VDC, 110-254 VAC  
See the XB11 product specification sheet or contact the Cooper Notification Customer Service Team.

	DC	AC 50/60 Hz	
Voltage	24	110	240
XB11 Tube Energy (Joules)	5	5	5
Peak Current Consumption (mA)	320	100	60
Effective Intensity	29	29	29

Multiplying factor for colored lenses:	Red	Blue	Amber	Green	Yellow
	0.15	0.12	0.51	0.49	0.86

Note: The cd figures are for a clear lens @ 1Hz flash rate

# Series **XB16** Strobe Warning Lights



## Available features and options:

- NEMA 4x and 6, IP66 & 67
- Light weight
- Listed strobes for use in harsh environments
- 285 Candela

**Lens color:** Red, Blue, Green, Yellow, Amber, Clear

**Voltage:** 24 VDC, 48 VDC, 110 VAC, 120 VAC, 230 VAC, 240 VAC, 254 VAC

**Certified Temperature:** -67°F to +158°F (-55°C to +70°C)

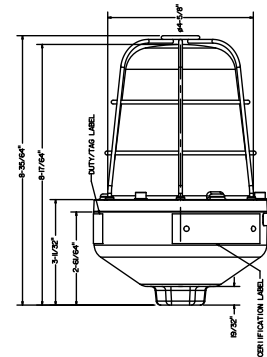
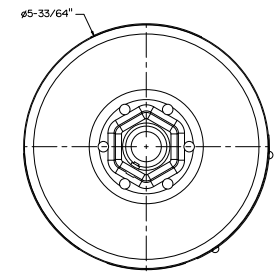
**Finish:** Natural Black, Red, Blue, Yellow, Green, White, Special Finish

**Weight:** 2.2 lb (1.0kg)

**Material:** Corrosion-Free GRP

**Approvals:** UL 1971, cUL for Class 1, Div 2 Groups A, B, C, D

**XB16 RANGE**  
(SHOWN WITH OPTIONAL  
GUARD FITTED)



Model Number	Finish	Order Code
XB16UL02460RYNN	STRB,RED LENS,24VDC,285CD,CL 1 DIV 2,BLK	PX869410
XB16UL12060AYNN	STRB,AMBER LNS,UL 1971,120VAC,285CD,CL 1 DIV 2,BLK	PX869408
XB16US02460CYNR	STRB,CLEAR LENS,UL1971,24VDC,285CD,CL 1 DIV 2,RD	PX29600042

Additional configuration options available: Body & lens color, lens guard, tag & duty labels, initiation options, flash rate, voltages 24-48 VDC 110-254 VAC

See the XB16 product specification sheet or contact the Cooper Notification Customer Service Team.

	DC		AC 50/60 Hz				
Voltage	24	48	110	120	220	240	254
XB16 Tube Energy (Joules)	10	10	10	10	10	10	10
Current (mA)	890	300	380	380	220	220	180
Effective candela (cd): 285 at 60 f.p.m.							
UL 1971 on axis output: 15 cd							

Multiplying factor for colored lenses:	Red	Blue	Amber	Green	Yellow
	0.15	0.12	0.51	0.49	0.86

# Series **XB15** High Intensity Strobes



## Available features and options:

- NEMA 4x and 6, IP66 & 67
- 4 wire monitored connection
- 330 candela

**Lens color:** Red, Blue, Green, Yellow, Amber, Clear

**Voltage:** 24 VDC, 48 VDC, 110 VAC, 120 VAC, 230 VAC, 240 VAC, 254 VAC

**Certified Temperature:** -67°F to +158°F (-55°C to +70°C)

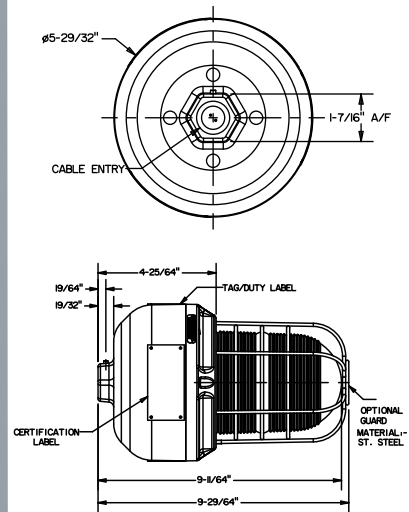
**Finish:** Red or Black

**Weight:** 5 ¾lb/2.6kg Pipe Mount  
6 ½lb/3.0kg Direct Mount

**Material:** Corrosion-Free GRP

**Approvals:** UL, cUL for Class 1, Div 2 Groups A, B, C, D

## POLE MOUNT VERSION



Model Number	Finish	Order Code
XB15UL02406CWBNR	STRB,CLEAR LENS,24VDC,330CD,CLASS 1 DIV 2,RD	PX27600284
XB15UL02406RWBNN	STRB,RED LENS,24VDC,330CD,CLASS 1 DIV 2,BLK	PX869398
XB15UL02406RWPNN	STRB,RED LENS,PIPE MT,24VDC,330CD,CL 1 DIV 2,BLK	PX869396

Additional configuration options available: Body & lens color, relay initiate, flash rate, voltages 24-48 VDC, 110-254 VAC  
See the XB15 product specification sheet or contact the Cooper Notification Customer Service Team.

	DC		AC 50/60 Hz				
Voltage	24	48	110	120	220	240	254
XB15 Tube Energy (Joules)	15	15	15	15	15	15	15
Current	780	670	400	400	200	200	170

Effective candlepower (cd): 330 (Effective candlepower is the intensity that would appear to an observer if the light was burning steadily)

Multiplying factor for colored lenses:	Red	Blue	Amber	Green	Yellow
	0.15	0.12	0.51	0.49	0.86

# Series XB12 Strobes



## Available features and options:

- NEMA 4x and 6, IP66 & 67
- 4 wire monitored connection
- 355 Candela

**Lens color:** Red, Blue, Green, Yellow, Amber, Clear

**Voltage:** 24 VDC

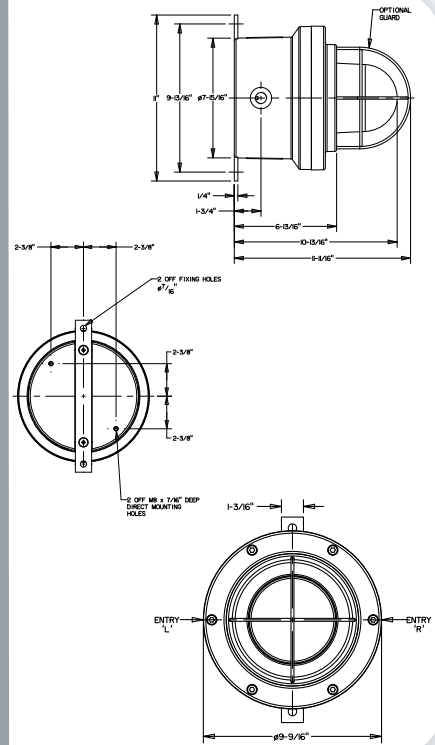
**Certified Temperature:** -67°F to +158°F  
(-55°C to +70°C)

**Weight:** 15.5 lb (7.0 kg)

**Entries:** Up to 2 1/2" NPT

**Material:** Corrosion-Free GRP

**Approvals:** UL, cUL for Class 1, Div 2, Groups C & D



Model Number	Finish	Order Code
XB12UL02406CNBNNNR	STRB,CLEAR LENS,24VDC,255CD,CLASS 1 DIV 2,RD	PX22600456

Additional configuration options available: Body & lens color, tag & duty labels, lens guard, flash rate, certification, mounting method voltages 24 VDC, 110-254 VAC  
See the XB12 product specification sheet or contact the Cooper Notification Customer Service Team.

	DC	AC 50/60 Hz	
Voltage	24	110	240
XB12 Tube Energy (Joules)	21	21	21
Peak Current Consumption (mA)	1400	350	185
Effective Intensity	355	355	355

Multiplying factor for colored lenses:	Red	Blue	Amber	Green	Yellow
	0.15	0.12	0.51	0.49	0.86

Note: The cd figures are for a clear lens @ 1Hz flash rate

# Series XB4 Strobes



## Available features and options:

- NEMA 4x & 6, IP66 & 67
- 4 wire monitored connection

**Lens color:** Red, Blue, Green, Yellow, Amber, Clear

**Voltage:** 24 VDC, 110 VAC, 240 VAC

**Certified Temperature:** -67°F to +158°F  
(-55°C to +70°C)

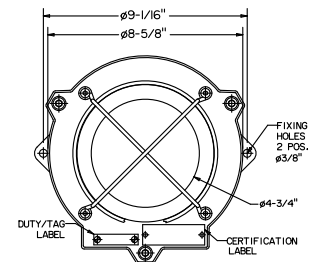
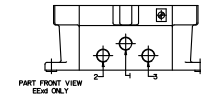
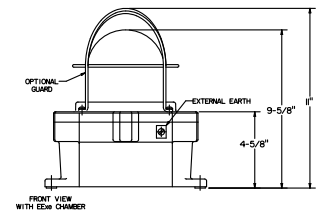
**Entries:** Up to 3 x 1/2" or 3/4" NPT

**Finish:** Red

**Weight:** LM25: 14.5 lb (6.6 kg);  
Stainless Steel: add 18.5 lb (8.5 kg)

**Material:** Alloy or Stainless Steel

**Approvals:** UL, cUL for Class 1, Div 1, Groups C & D



Model Number	Finish	Order Code
XB4ULB8D2E3E06ANCN1R	STRB,CLEAR LENS,24VDC,355CD,CL 1 DIV 1,RD	PX18800386
XB4ULB8D2E3E06ANRN1R	STRB,RED LENS,24VDC,355CD,CL 1 DIV 1,RD	PX869121

Additional configuration options available: Body & lens color, tag & duty labels, lens guard, flash rate, certification, voltages 24 VDC, 110 VAC 240 VAC.

See the XB4 product specification sheet or contact the Cooper Notification Customer Service Team.

	DC	AC 50/60 Hz	
Voltage	24	110	240
XB4 Tube Energy (Joules)	21	21	21
Peak Current Consumption (mA)	1400	350	185
Effective Intensity	355	355	355

Multiplying factor for colored lenses:	Red	Blue	Amber	Green	Yellow
	0.15	0.12	0.51	0.49	0.86

Note: The cd figures are for a clear lens @ 1Hz flash rate

# Series DB1 Horns



## Available features and options:

- Light weight, flameproof horns
- NEMA 4x and IP66
- 4 wire monitored connection
- 27 output tones, user selectable

**Finish color:** Red (Gray and special also available)

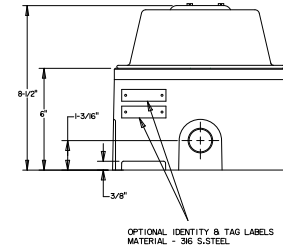
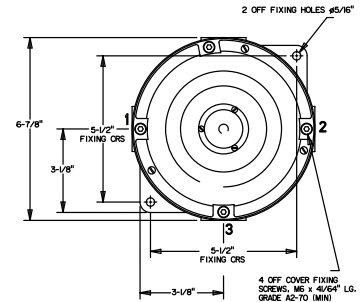
**Voltage:** 12 VDC, 24 VDC, 48 VDC, 110 VDC

**Certified Temperature:** -13°F to +158°F  
(-25°C to +70°C)

**Weight:** DB1P 7.7 lb (3.5 kg); DB1HP 12.3 lb (5.6 kg)

**Material:** LM25 corrosion resistant alloy with stainless steel cover screws. ABS flare

**Approvals:** UL, cUL for Class 1, Div 1, Groups C & D NFPA 72 Compliant



Model Number	Finish	Order Code
DB1HPULA024D1D2NNNR	MULTITONE,24VDC,100dBA,CL 1 DIV 1,RD	PX869115
DB1PULA024D1D2NNNR	MULTITONE,24VDC,93dBA,CL 1 DIV 1,RD	PX869111

Additional configuration options available: Body Color, tag & duty labels, certification, voltages 12, 24, 48 VDC, 110 VAC

See the DB1 product specification sheet or contact the Cooper Notification Customer Service Team.

Max Sound Levels: DB1(P)=93±3dB(A) (86±3dB(A) for 12V DB1).  
DB1H(P)=100 ± 3dB(A) @ 10 feet  
Note: Sound level is dependent upon the tone selection.

### Tone Selection: 27 Tones

1 Alt Tones 800/970 Hz at 1/4 sec.	15 554 Hz for 0.1S/440 Hz for 0.1S
2 Sweeping 800/970 Hz at 7 Hz	16 Int 660 Hz 150 mS on 150 mS off
3 Sweeping 800/970 Hz at 1 Hz	17 Int 660 Hz 1.8 sec. on 1.8 sec. off
4 Continuous at 2850 Hz	18 Int 660 Hz 6.5 sec. on 13 sec. off
5 Sweeping 2400-2850 Hz at 7 Hz	19 Continuous 660 Hz
6 Sweeping 2400-2850 Hz at 1 Hz	20 Alt 554/440 Hz at 1 Hz
7 Slow Whoop	21 Int 660 Hz at 7/8 Hz
8 Sweep 1200-500 Hz at 1 Hz	22 Int 2850 Hz 150 mS on 100 mS off
9 Alt Tones 2400/2850 Hz at 2 Hz	23 Sweep 800-970 Hz at 50 Hz
10 Int Tones of 970 Hz at 1 Hz	24 Sweep 2400-2850 Hz at 50 Hz
11 Alt Tones 800/970 Hz at 7/8 Hz	25 3x970 Hz pulses 0.5 off, 1.5 off
12 Int Tone at 2850 Hz at 1 Hz	26 3x2850z pulses 0.5 on/0.5 off, 1.5 off
13 970 Hz at 1/4 sec. on 1 sec. off	27 Int 3100 Hz 0.3 sec. on 0.7 sec. off
14 Continuous at 970 Hz	

Labels:	Duty and Tag labels optional
Entries:	Up to 3 x 1/2" or 3/4" NPT
Terminals:	Suitable to accept up to 12AWG conductor size



# Series DB3 Horns



## Available features and options:

- Glass Reinforced Polyester (GRP), flameproof
- NEMA 4x & 6, IP66 & 67
- Integral volume control
- Up to 108dBA output @ 10 ft
- 4 wire monitored connection
- 27 output tones, user selectable

**Finish:** Natural Black, Red, Special Finish

**Mounting:** Stainless steel bracket with ratchet facility

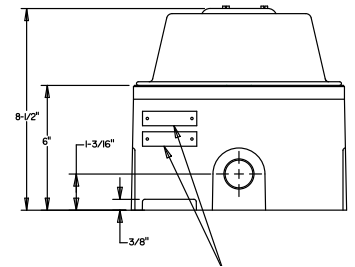
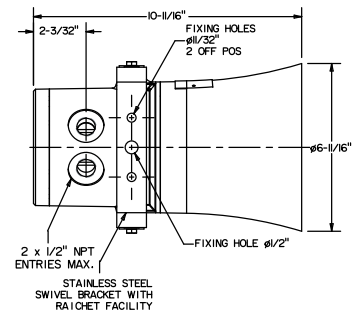
**Voltage:** Up to 48 VDC, Up to 254 VAC

**Certified Temperature:** -67°F to +158°F  
(-55°C to +70°C)

**Entries:** Up to 2 x 1/2" NPT

**Weight:** 11 lb (5.0 kg)

**Approvals:** UL, ULC for Class 1, Div 2, Groups A, B, C, D; Class II, Div 2, Groups F & G



Model Number	Finish	Order Code
DB3UL048N2CNRZ	MULTITONE,24VDC,108dBA,CL 1 DIV 2,RD	PX869131
DB1PULA024D1D2NNNR	MULTITONE,110VAC,108dBA,CL 1 DIV 2,RD	PX869135

Additional configuration options available: Body Color, tag & duty labels, end of line resistor, certification, voltages 12-48 VDC, 110-254 VAC

See the DB3 product specification sheet or contact the Cooper Notification Customer Service Team.

## Volume control:

Nominal Output (dBA)*	Input Current (mA)
83	50
95	100
98	150
101	200
102	250
104	300
105	350

Output measured with 24V input voltage. Tone set to 970 Hz continuous

## Current Consumption:

V	I
12 VDC	760 mA
24 VDC	380 mA
48 VDC	190 mA
110 VAC	135 mA
120 VAC	124 mA
220 VAC	68 mA
230 VAC	65 mA
240 VAC	62 mA
254 VAC	59 mA

# Series DB4 Speakers



## Available features and options:

- NEMA 4x & 6, IP66 & 67
- Integral volume control
- 109dBA at 25 watts @ 10 ft
- 8, 15, and 25 watt versions
- Power tapings, via integral transformer

**Color:** Red

**Mounting:** Bracket with ratchet facility

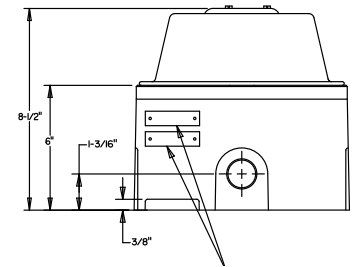
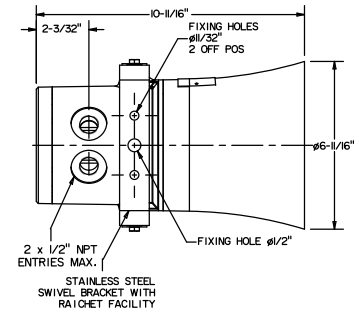
**Power:** 8 watts, 15 watts, 25 watts

**Certified Temperature:** -67°F to +158°F  
(-55°C to +70°C)

**Entries:** Up to 2 x 1/2" NPT

**Weight:** 11 lbs (5.0 kg)

**Approvals:** UL for Class 1, Div 2,  
Groups A, B, C, D



Model Number	Finish	Order Code
DB415ULXN2CRZ	SPKR,70 VRMS,15W TRANSFORMER,CL 1,DIV 2,RD	PX19900177
DB425ULXN2CRZ	SPKR,70 VRMS,25W TRANSFORMER,CL 1 DIV 2,RD	PX19900178

Additional configuration options available: Body Color, tag & duty labels, transformer, certification, power 25W, 15W, 8W  
See the DB4 product specification sheet or contact the Cooper Notification Customer Service Team.

Transformer Tappings	Power			
	25W	20W	15W	8W
1:2	25.0	20.0	15.0	8.0
2:3	12.5	10.0	7.5	4.0
3:4	6.0	6.0	5.0	2.0
1:3	4.0	5.0	4.0	1.5
2:4	2.0	2.0	2.0	0.7
1:4	1.0	1.0	0.8	0.4

### Transformer Options:

- Loop in/Loop out: (4 x 2) terminal tap change (8 terminals)
- Optional Tapping: 4 terminal tap change with 2 terminals (5 & 6) directly connected to driver (8 ohms).

Frequency Range: 400Hz to 8kHz

# Series Combination Units



## Available features and options:

- IP66 & 67
- Strobe available as Xenon, filament, fluorescent or LED
- Sounder: Up to 115dBA output at 1 meter

**Lens color:** Red, Amber, Clear

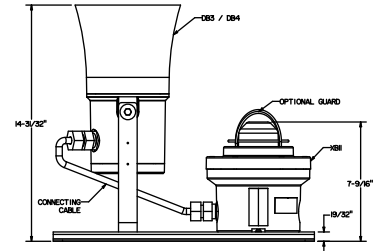
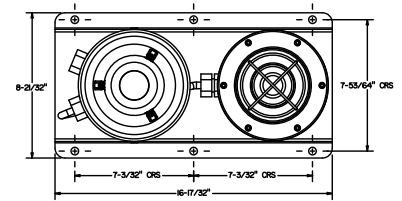
**Voltage:** 24 VDC, 110 VAC, 240 VAC

**Certified Temperature:** -67°F to +158°F  
(-55°C to +70°C)

**Finish:** Natural Black, Red

**Material:** LM25

**Approvals:** UL, cUL for Class 1 Div 1, Groups C & D, (XB11/DB3) cUL for Class 1, Div 2 (XB11/DB4)



Model Number	Finish	Order Code
XB11/DB3 UL 110V RED/RED	MULTITONE STRB,RED LENS,110VAC,CL 1 DIV 2,RD	PX869210
XB11/DB3 UL 24VDC CLEAR/RED	MULTITONE STRB,CLEAR LENS,24VDC,CL 1 DIV 2,RD (CN109209-002)	PX62500274
DB3/XB11UL 24V RED/RED	MULTITONE STRB,RED LENS,24VDC,CL 1 DIV 2,RD	PX869205
XB11/DB425 UL X(70) CLEAR RED	SPKR STRB,CLR LENS,70 VRMS,25W TRANS,CL 1 DIV 2,RD (CN109209-001)	PX62500284
XB11/DB425 UL X(70) RED RED	SPKR STRB,RED LENS,70 VRMS,25W TRANS,CL 1 DIV 2,RD	PX62500283

Additional configuration options available.

See the Combo Unit product specification sheet or contact the Cooper Notification Customer Service Team.

# Series **BG/PB** Call Points



## Available features and options:

- Manual Fire Alarm Call Points designed for hazardous locations
- NEMA 4x & 6, IP66 & 67
- In line and end of line resistors fitted
- Optional LED to indicate operation
- Glass Reinforced Polyester (GRP)

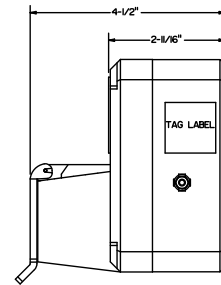
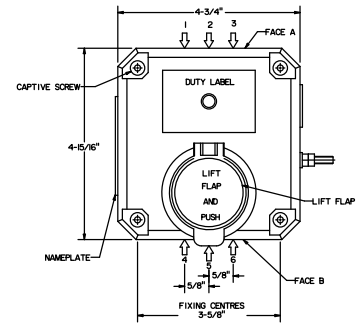
**Color:** Red, Blue, Yellow

**Certified Temperature:** -67°F to +158°F  
(-55°C to +70°C)

**Entries:** Up to 4 entries 1/2" NPT

**Weight:** 2.6 lb (1.2 kg) varies with model & entries

**Approvals:** UL for Class 1, Div 2, Groups A, B, C, D, Class 1 Zone 2 and Class 2, Div 2, Groups F&G, CSA



Model Number	Finish	Order Code
PBUL4C6C4DSN7R	PUSH BUTTON,CL 1 DIV 2,FIRE LABEL,RD	PX28000043

Additional configuration options available: Body colour, LED, series & EOL resistors, diode, earth continuity (Not UL), turn & push, self reset, tag & duty labels.

See the product specification sheet or contact the Cooper Notification Customer Service Team.

Terminals: Will accept up to 14AWG cable

Material: Corrosion Free GRP

# Series SM87/PBL Call Points



## Available features and options:

- Call Point designed for arduous environmental conditions
- Easy to install and maintain
- NEMA 4x & 6, IP66 & 67

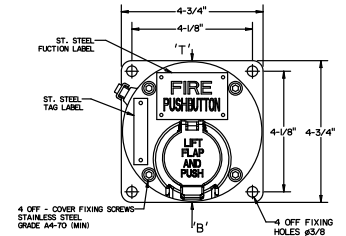
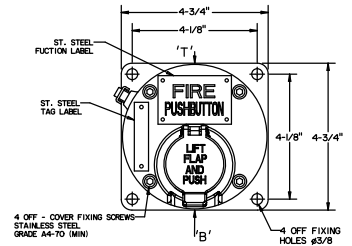
**Color:** Red, Natural Black, Blue, Yellow, Grey, Yellow/Black Stripes

**Certified Temperature:** -13°F to 131°F (-11°C to 55°F)

**Entries:** Up to 4 entries 1/2" or 3/4" NPT

**Weight:** 5.5 lb (2.5 kg) varies with model & entries

**Approvals:** UL, CSA certified, Class 1, Div 1, Group C & D, Class 1, Zone 1



Model Number	Finish	Order Code
SM87PBLAUL3T3B3NN	PUSH BUTTON,CL 1 DIV 1,FIRE LABEL,RD	PX36200102

Additional configuration options available: Body colour, LED, series & EOL resistors, diode, earth continuity (Not UL), turn & push, self reset, tag & duty labels.

See the product specification sheet or contact the Cooper Notification Customer Service Team.

Terminals: Will accept up to 14AWG cable

Material: LM25 TF Marine Grade Alloy

Resistors: 470R minimum

Switch Rating: 2 amp, 2 pole c/o, wired to terminals



# Telephone Signaling & Commercial Audio

- Telephone Alerts
- Teletrobes
- Audibles
- TelBells
- Relays

# Series UTA Universal Telephone Alerts



## Available features and options:

- Loud, attention getting electronic ringers
- Designed for use in noisy locations or for wide area coverage
- Operates off the telephone ringer voltage
- Low current draw and REN
- Tamper resistant volume control
- Dip switch selectable

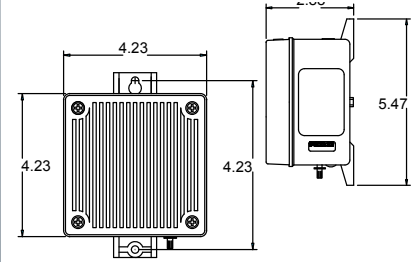
**Color:** Gray

**Four selectable sound patterns:** Horn, Bell, Vibrating Chime, Single Chime

High output 109 dB piezo speaker

**Approvals:** UL Standard 1950, CSA, IC, DOC

Multiple voltage activation



Model Number	Color	Order Code	Power Requirements
UTA-1	Gray	6338	24 VDC, 24 VAC, 48 VDC, 90 VRMS/20-30Hz

### w/Strobe

UTA-WH-VPS	Gray	6348	115 VAC power for strobe and piezo operation telephone ring trigger for activation via 24 VDC, 24 VAC, 48 VDC, 90 VRMS/20-30Hz
------------	------	------	--

### Tone Volume Range and Description

	UTA-1	UTA-WH	Description
Horn	73-108 dB	82-109 dB	Broadband Horn
Bell	61-102 dB	76-104 dB	1560 Hz Modulated (0.07 Sec. ON/Repeat)
Vibrating Chime	57-100 dB	68-94 dB	700 Hz (1.0 Sec. Decay/Repeat)
Single Chime	57-97 dB	68-94 dB	700 Hz (1.0 Sec. Decay)

Model Number	Tones	dB @ 3 Feet (1 meter)				Ring Voltage Current Draw mA			REN
		48 VDC	24 VDC	24 VAC	90 VRMS 20 Hz	48 VDC	24 VDC	24 VAC	90 VRMS 20 Hz
UTA-1	Horn	107	108	105	104	26	30	46	1.6
	Bell	100	100	102	100	10	9	35	1.4
	Vibrating Chime	94	96	99	97	7	6	29	1.25
	Single Chime	94	96	100	96	6	6	34	1.25
UTA-WH-VPS	Horn	109	109	109	109	3	2.5	4	.5
	Bell	104	104	104	104	3	2.5	4	.5
	Vibrating Chime	94	94	94	94	3	2.5	4	.5
	Single Chime	94	94	94	94	3	2.5	4	.5
Voltage Range						36-60	20-30	20-30	40-130





## Indoor Communications System & Accessories

Cooper Notification's SAFEPATH Voice Evacuation System (SP40S) and Accessories provide supervised in-building emergency communications. The multi-use system can function as an evacuation system, emergency messaging system, paging system, employee notification system and a background music system.

# Series SAFEPATH SP40S Voice Evacuation System

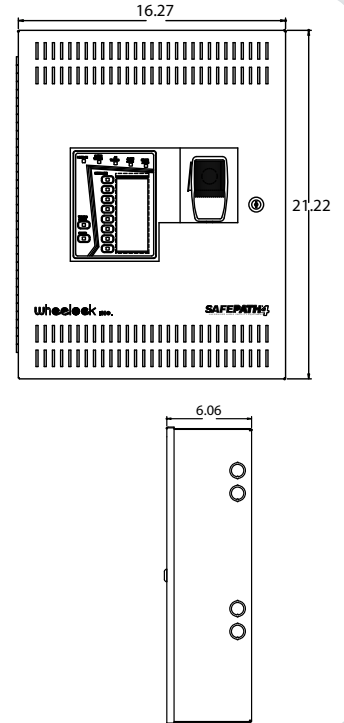


## Available features and options:

- Multi-Function Supervised Paging, Messaging, Background Music delivery and Emergency Voice Evacuation System
- 24 VDC battery backup
- On-board digital voice messaging system with 8 standard messages
- Hand-held microphone and power supply/battery charger
- Expandable to 5280 watts
- Contact closure message activation
- 40 Watts supervised audio power
- Compatible with all Wheelock power supplies, speakers, strobes, clusters, and high power speaker arrays

Approvals: UL, CSFM, MEA, FM, Tested to CAN/ULC-S527, 2nd Edition\*

\*Evaluated by FM Approvals, a Standards Council of Canada (SCC) accredited testing and certification organization, in accordance with Canadian Codes and Standards



Model Number	Order Code	Description
SP40S	9929	Single channel system with 40 watts of supervised audio power and 2 amps of supervised 24 VDC synchronized strobe power and 8 standard messages. (batteries not included, 2 required) Red Enclosure
SP40S-B	9935	Same as above but with black enclosure
AM-SP40S-SMK	9937	SP40S After Market 8 Message Standard Message Kit
AM-SP40S-PMK	9938	SP40S After Market 8 Message Programmed Message Kit
SP-COA	9908	C.O. Port Adapter for the SP40S - Recommended 24 VDC Power Supply is Wheelock RPS-2406 (Order Code 3770)

## Audio/Technical Specifications

Switch mode, Class D amplifier (40 Watts)	
Speaker Outputs	25V or 70.7V power limited
Frequency Response	Voice: 275 Hz – 6.5 kHz BGM: 100 Hz - 15 kHz Meets UL Voice Evacuation Requirements of 800 - 2800 Hz
Signal to Noise Ratio	better than 65 dB
Dynamic Range	better than 65 dB
Total Harmonic Distortion	less than 2%
Stand by Current Draw	130 mA
Alarm Current Draw	4.7 amps

# Series SAFEPATH Remote Microphone and Expansion Module



## Available features and options:

### SPRM

- Remote Microphone for use with the SAFEPATH® Facility Communications System SP40S or SP4-RMX.
- Can be mounted up to 2,000 feet away from the SP40S

### SP4-RMX

- Remote Microphone Expansion Module expands one microphone from the SP40S or up to 3 remote microphones
- Provides for an auxiliary input for connection of an external VoiceLink message repeater for additional messages

Model Number	Order Code	Description
SPRM	8996	Remote Microphone for use with the SP40S, SP40/2, SPB-320, SPB-160, SPB-80/4 or SP4-RMX, red plate
SPRM-GP	9927	General Paging Microphone for use with the SPB-320, SPB-160, or SPB-80/4, black plate

- The SP4-RMX will provide the capability of connecting up to (3) three Remote Microphone Stations (SPRM)
- When connected to the SP40S or SP40/2, two SP4-RMX units can be cascaded together to provide up to six remote microphones
- Can accept a line level input coupled with a contact closure for broadcasting of other information
- OSHA 1910.165, ADA and UFC compliant

#### Enclosure

Dimensions: 13"H x 7.6"W x 2.15"D

Color: Black

Wall mountable

**Approvals:** UL, Tested to CAN/ULC-S527, 2nd Edition\*

Model Number	Order Code	Description
SP4-RMX	9919	Remote Microphone Expansion Module

- Supervised hand held push to talk microphone
- Key required to enable remote microphone use
- Wiring terminals for quick connect/disconnect accepting 12-22 AWG
- Individual front panel LED indication for; System Normal, System Trouble and Alarm
- Remote microphone usage disengages background music and general paging
- 6 wire connection to the SP40S, SP40/2 or SP4-RMX
- Mounting plate is red and measures, 8 3/4" x 5 1/4", fits into a 4 gang back box
- All output circuitry is Power Limited

**Input current:** Standby: 23mA Alarm: 38mA

**Approvals:** UL, CSFM, Tested to CAN/ULC-S527, 2nd Edition\*

\*Evaluated by FM Approvals, a Standards Council of Canada (SCC) accredited testing and certification organization, in accordance with Canadian Codes and Standards

# Series SAFEPATH Speaker Audio Splitter



## Available features and options:

- Supervised 2-Zone Class A or 4-Zone Class B Speaker Audio Splitter for the SP40S or Audio Booster
- Enables a single supervised speaker audio output to drive up to two Class A supervised speaker audio outputs or four Class B supervised speaker audio outputs
- 2 class A or 4 Class B
- Removable wiring terminals for quick connect/disconnect accepting 12–22 AWG
- LEDs Power and Trouble LEDs, Individual zone short and open LED indication
- Space provided to allow for naming of the zones
- Standby and Alarm current at 24VDC: 15mA

Approvals: UL, CSFM, MEA, Tested to CAN/ULC-S527, 2nd Edition\*

\*Evaluated by FM Approvals, a Standards Council of Canada (SCC) accredited testing and certification organization, in accordance with Canadian Codes and Standards

Model Number	Order Code	Description
SP4Z-A/B	9900	Supervised 2-Zone Class A or 4-Zone Class B Speaker Audio Splitter for the SP40S, SP40/2 or Audio Boosters
SPMB4Z	9907	Mounting Bracket for the SP4Z-A/B is required when used with the Audio Boosters

Note: The Speaker Splitter-Mounting Bracket (SPMB4Z) is required when the Speaker Splitter is used in Audio Boosters. The SPMB4Z can support two splitters.

# Series SAFEPATH **SPB** Audio Boosters



## Available features and options:

- Designed to provide for additional supervised audio power for live voice, pre-recorded messages or background music (BGM).
- Fully supervised patent pending circuitry is always in effect
- The SPB-320, SPB-160 and the SPB-80/4 easily connects to the Wheelock SP40S
- Multiple SPB-320, SPB-160 and SPB-80/4 Audio Boosters can be inter-connected to accommodate large installations

**Approvals:** UL Standard 864, 9th edition, and CSFM, MEA, Tested to CAN/ULC-S527, 2nd Edition\*

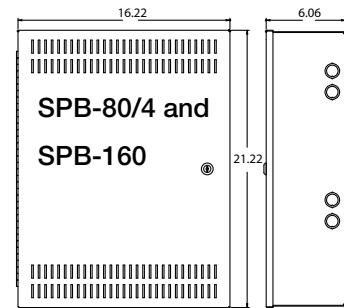
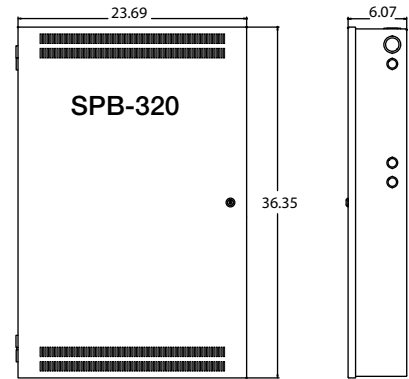
**Compliance:** OSHA 1910.165, ADA, UFC

**Input from SP40S:** 70V or 25V

**Input from SP4-RMX:** 1 Volt input from

80 watt Speaker output circuits (SPB-320 has four, SPB-160 has two and the SPB-80/4 has one and two 2 amp strobe circuits)

**Audio Speaker Outputs:** 70V or 25V



\*Evaluated by FM Approvals, a Standards Council of Canada (SCC) accredited testing and certification organization, in accordance with Canadian Codes and Standards

Model Number	Order Code	Description
SPB-320	9918	320 Watt Supervised (Four 80 watt circuits)
SPB-160	8989	160 Watt Supervised (Two 80 watt circuits), red enclosure
SPB-80/4	8988	80 Watt Supervised with 4 Amps of Supervised and Synchronized Strobe Power (Two 2 Amp circuits), red enclosure

## Technical Specifications:

120VAC, 3.8A, 60 Hz input

SP40SE Models 240 VAC, 2.5A, 50-60 Hz

Standby current draw 120mA, per amplifier board

Alarm current draw 9 Amps, per amplifier board

SPB-80/4 and SPB-160 have one amplifier board

SPB-320 has two amplifier boards

System Frequency Response Voice: 400 Hz - 6.5 kHz  
BGM: 275 Hz - 15 kHz

Removable quick connect/disconnect terminals, accept 12 - 22 AWG

Multiple LED's for easy indication of system diagnostic conditions

Signal to Noise Ratio > 70 dB

Dynamic Range > 65 dB

Total Harmonic Distortion 2%

# Series SAFEPATH Paging Splitter



## Available features and options:

- Addressable speaker zone splitter
- Mounts inside the SP40S, SP40/2, SPB-80/4, SPB-160 or SPB-320
- Operates on 24 VDC, supplied by the SP40S, SP40/2, SPB-80/4, SPB-160, SPB-320
- Handles 40 watts of supervised audio per zone
- UL Standard 864, 9th edition listed, Tested to CAN/ULC-S527, 2nd Edition\*

\*Evaluated by FM Approvals, a Standards Council of Canada (SCC) accredited testing and certification organization, in accordance with Canadian Codes and Standards

Model	Order Code	Description
SP4Z-APS	9920	Addressable Paging Splitter



# Series SAFEPATH Telephone Zone Controller



## Available features and options:

- Designed for the ability to access individual or multiple speaker zones throughout the SP40S System via telephone
- Custom user programmable
- All call or selected zone(s) telephone paging
- Background music (BGM) zone(s) selectable
- Telephone input and background music (BGM) input

Tested to CAN/ULC-S527, 2nd Edition\*

\*Evaluated by FM Approvals, a Standards Council of Canada (SCC) accredited testing and certification organization, in accordance with Canadian Codes and Standards

Model Number	Order Code	Description
SP4-TZC	9923	SP4-TZC Programming Cable

The combination of 1 SP4-TZC (controller) and up to 17 SP4-APS (splitters) can provide:

### Class B

- 4 zones per splitter
- Up to 68 individual zones (17 splitters)
- 17 fixed zones (groups of 4)
- 9 logical zones

### Class A

- 2 zones per splitter
- Up to 34 individual zones (17 splitters)
- 17 fixed zones (groups of 2)
- 9 logical zones

## Enclosure:

Dimensions: 13"H x 7.6"W x 2.15"D

Color: Black

Wall mountable

Requires 24 VDC, model RPS-2406

Allows selections of speaker zones via a telephone keypad (DTMF tones)

One SP4-TZC (controller) can control up to 17 SP4-APS (splitters)

Telephone page input connects to stand alone telephone, unused CO port, page port

USB connection for logical zone grouping and BGM programming (supports Windows 2000 and Windows XP)

Up to 9 logical zones, (a logical zone is a user selected group of up to 5 zones, individual or fixed)

RS-485 digital control to the SP4-APS speaker splitters

Connects to the SP40S 2 via the BGM input

The combination of 1 SP4-TZC (controller) and up to 17 SP4-APS (splitters) can provide:



# Series SAFEPATH Volume Control



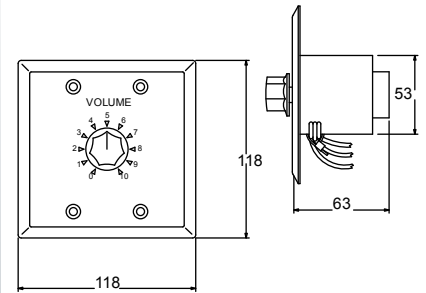
## Available features and options:

- Allows manual volume setting for telephone paging and background music for a specific speaker or speaker zone
- Supervised volume control for use with UL Listed Life Safety Applications
- Operates in Class B or Class A wiring (for Class A, the SP4-APS is required)
- Mounts to a double gang, 3½” deep back box or 4” square and 1-1/2” deep box with a 1-1/2” extension ring and a double gang mud ring
- Stainless steel mounting plate with a black knob

**Approvals:** UL Standard 864, CSFM, Tested to CAN/ULC-S527, 2nd Edition\*

**Compliance:** OSHA 1910.165, ADA

\*Evaluated by FM Approvals, a Standards Council of Canada (SCC) accredited testing and certification organization, in accordance with Canadian Codes and Standards



Model	Order Code	Description
SP-SVC	9926	Supervised Volume Control for use with the SAFEPATH® system

Audio Power Input	Can handle up to 35 watts of 70.7 volt audio power input
Adjustment Settings	0 – 10, in 3dB increments
Wiring	Operates in Class B or Class A wiring (for Class A, the SP4-APS is required)
Back Box	Requires a double gang, 3½” deep back box or 4” square and 1-1/2” deep box with a 1-1/2” extension ring
Maximum RMS Current	10.0mA

# Series SAFEPATH Local Operating Console



## Available features and options:

- Designed for indoor use with the SAFEPATH panels for mass notification applications
- Contains SAFEPATH SPRM Remote Microphone and black push-on/push-off buttons.
- All message wiring is pre-wired to a terminal block
- Internal terminal block accepts up to 16 AWG wiring for field wiring
- All output circuitry is power limited
- SP4-LOC is available in flush and surface models
- Optional HVAC Emergency Shutoff mushroom push button kit
- Can be mounted up to 2,000 feet away from SAFEPATH panel
- Remote microphone usage disengages background music and general paging

Tested to CAN/ULC-S527, 2nd Edition\*

\*Evaluated by FM Approvals, a Standards Council of Canada (SCC) accredited testing and certification organization, in accordance with Canadian Codes and Standards

Model Number	Order Code	Description
SP4-LOC-SB	4120	Surface Mount Local Operator Console
SP4-LOC-FB	4121	Flush Mount Local Operator Console
SP4-LOC-KIT	4122	HVAC Emergency Shutoff Switch Kit*



## **Wide Area High Power Speaker Arrays**

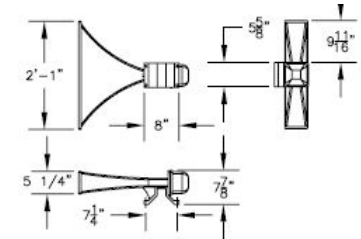
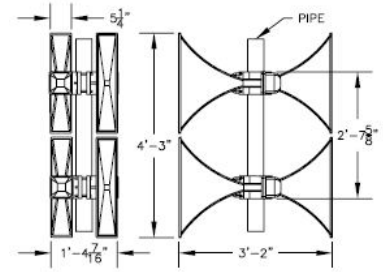
Designed to meet Life Safety requirements, WAVES HPSA-7100-R Series provide crisp, intelligible voice, tone and siren warnings. It can be integrated with voice-capable FACPs, SAFEPATH or SAFEPATH MNS to expand emergency communications to large outdoor areas.

# Series **HPSA** High Power Speaker Arrays



## Available features and options:

- Highly intelligible live voice and tone announcements
  - Energy- and cost- efficient advanced amplification system enables lower current draw and increased battery life, requiring fewer speakers and significantly less power for a substantially larger range (see specifications)
  - Continuous emergency operation regardless of primary power outage
  - Omni-directional and directional speaker coverage options
  - Intelligent battery charger maintains batteries at optimal charge state and supervises the batteries for multiple fault conditions
  - Six discrete (Form C) trouble signals include: No AC, No Battery, Low Battery, Door Open (tamper), Amplifier Fault, Driver Fault
  - Multiple HPSAs can be controlled by one source
- Approvals: CE, TÜV



Model Number	Number of Horns	Watts	dB (C) @ 100' (30 m)* 180°	Effective Range* - 180° Radius @ 70dB (C)	dB (C) @ 100' (30 m)* 360°	Effective Range* - 360° Radius @ 70dB(C)	Height	Horn & Driver Kit Weight
HPSA-7102-R	2	200	110	1600' (480 m)	105	1200' (366 m)	25" (63.5 cm)	52 lbs (23.6 kg)
HPSA-7104-R	4	400	115	2400' (732 m)	110	1600' (480 m)	51" (129.5 cm)	104 lbs (47.2 kg)
HPSA-7106-R	6	600	119	3040' (927 m)	114	2240' (683 m)	77" (195.6 cm)	156 lbs (70.8 kg)
HPSA-7108-R	8	800	123	4160' (1268 m)	118	2880' (878 m)	103" (261.6 cm)	208 lbs (94.4 kg)

# High Power Speaker Arrays

Designed to meet the most stringent Life Safety requirements, Cooper Notification's HPSA-7100-R Series provides highly intelligible voice and tone announcements for Wide-Area Mass Notification. The HPSA-7100-R Series can be integrated with voice-capable Fire Alarm Control Panels (FACP) and SAFEPATH Systems.

## General Specifications

Electronic Cabinet Dimensions	36" W x 48" H (60" with pedestals) x 12" D / 91.4 x 121.9 (152.4 with pedestals) x 30.5 cm
Electronic Cabinet Weight	110 lbs (not including batteries) / 49.9 kg; Total weight with batteries: 322 lbs / 146 kg
Horn Dimensions	3' 2" W x 2' 1" H x 1' 4 7/16" D / 96.52 cm x 63.5 cm x 41.91 cm (2 horns with drivers, omni-directional)
Horn Weight	52 lbs for each horn and driver kit (pair) / 23.6 kg
Horn Material	Special aluminum alloy horn construction provides long service life without material fatigue
Battery Weight	53 lbs each / 24 kg
Speaker Mounting/Pipe Pole	Minimum 4.5" (11 cm) outside diameter (OD); Maximum 6" OD (15.25 cm)
Ground Mount Pedestal Kit	Model S32-04517 raises the cabinet 12" (30.5 cm) from the ground
Speaker Cable Kit	Model CAB-SKR-KIT, 500 ft (152 m) long; 16 AWG stranded, non-shielded, marine-rated
Speaker Wire	14 - 16 AWG stranded two-conductor jacketed cable. Non-shielded either twisted or non-twisted. UL/CSA/EU-approved for outdoor use
Wire Size Ratings	Speaker Lines: 12 - 16 AWG (limited to 14 AWG for connectors) AMB Lines: 12 - 22 AWG AC Mains: 10 - 16 AWG

## Power (Including Standby)

Input Voltage	120 to 240 VAC; 50 to 60 Hz Single-phase (Universal AC/Auto-switching)
Input Current	3 Amps
Battery Input Voltage	40.8 - 55.4 VDC 48 Volts (nominal)
Operating Voltage	~48 VDC
Standby Time	72 hrs followed by 60 min continuous voice
Continuous Signaling Time	60 minutes (voice)
Battery Charger	Universal AC Supply, 4 Amp maximum
Batteries	Four (4) deep cycle discharge AGM, SLA batteries. 65 AH each, connected in series

## Amplifiers

Amplifier	Class D
Frequency Response	300 Hz to 7 kHz (Driver, typical); 20 Hz to 20 kHz (Amp, typical)
Total Harmonic Distortion	.1% THD+N Capable; 10% THD+N Max to achieve specified SPL levels
Efficiency	Greater than 90% at full load
Thermal Protection	Yes
Short Circuit Protection	Yes, Auto Recovery
Driver Impedance	11 Ohm (Typical)

## Environment

Operating Temperature	-40° F to 140° F (-40° C to +60° C)
Electronic Cabinet Rating	NEMA 4X
Transient Protection	Built-in lightning protection on mains, external interfaces, and speaker lines

Eaton Corporation  
Electrical Sector  
1111 Superior Avenue  
Cleveland, OH 44114 USA  
Eaton.com

Cooper Notification Solutions  
273 Branchport Avenue  
Long Branch, NJ 07740 USA  
Coopernotification.com

© 2013 Eaton Corporation  
All Rights Reserved  
Printed in USA  
Publication No. Life Safety Canada  
July 2013

Eaton is a registered trademark  
of Eaton Corporation.

All other trademarks are property  
of their respective owners.