

**Troubleshooting:**

- |          |   |
|----------|---|
| No sound | <ul style="list-style-type: none"> <li>• Check to make sure polarity is correct.</li> <li>• Make sure the maximum distance of the UTP does not exceed the maximum range of the balun.</li> <li>• Make sure all connections are snugly in place.</li> <li>• Check to make sure RJ-45 connector is crimped correctly and wired according to T568B wiring standard.</li> </ul> |
|----------|---|

**Specifications:**

		MAE-P317-01Q	MAE-P337-01Q	
Audio	Signal Type	Analog stereo		
	Max. range	2,500' (760m)		
	Bandwidth	10Hz to 50KHz ±3dB		
	Maximum input	1Vpp		
	Insertion loss	≤ 1dB		
	Return loss	≥ 15dB over the frequency range		
	Common mode rejection	Greater than 40dB		
	Power	No power required for audio		
	Wire type	UTP (unshielded twisted pair)		
Connections	Wire category	20 - 24 AWG @ screwless terminal blocks Cat2 or better, Cat5e ideal, Cat6 improves range		
	Connectors	In	2 (two) RCA plugs	
		Out	3.5mm plug	
	Impedance	In	600 ohms	
		Out	100 ohms	
Other	Dimensions	2 1/8" x 1 1/8" x 1" (54 x 29 x 25 mm)		
	Max. humidity	95%		
	Temperature Range	32° ~ 131° F (0° ~ 55° C)		
	Case	ABS plastic		

**WARRANTY** This SECO-LARM product is warranted against defects in material and workmanship while used in normal service for a period of one (1) year from the date of sale to the original consumer customer. SECO-LARM's obligation is limited to the repair or replacement of any defective part if the unit is returned, transportation prepaid, to SECO-LARM. This Warranty is void if damage is caused by or attributed to acts of God, physical or electrical misuse or abuse, neglect, repair, or alteration, improper or abnormal usage, or faulty installation, or if for any other reason SECO-LARM determines that such equipment is not operating properly as a result of causes other than defects in material and workmanship. The sole obligation of SECO-LARM, and the purchaser's exclusive remedy, shall be limited to replacement or repair only, at SECO-LARM's option. In no event shall SECO-LARM be liable for any special, collateral, incidental, or consequential personal or property damages of any kind to the purchaser or anyone else.

**NOTICE:** The information and specifications printed in this manual are current at the time of publication. However, the SECO-LARM policy is one of continual development and improvement. For this reason, SECO-LARM reserves the right to change specifications without notice. SECO-LARM is also not responsible for misprints or typographical errors. Copyright © 2009 SECO-LARM U.S.A., Inc. All rights reserved. This material may not be reproduced or copied, in whole or in part, without the written permission of SECO-LARM.

**SECO-LARM® U.S.A., Inc.**

16842 Millikan Avenue, Irvine, CA 92606  
Tel: 800-662-0800 / 949-261-2999 Fax: 949-261-7326

Website: www.seco-larm.com  
E-mail: sales@seco-larm.com



MH-MAE-P317-01Q\_0902.docx

# ENFORCER® Audio/Video

## MANUAL

### Passive Stereo Baluns



**MAE-P317-01Q**  
Analog Stereo Balun



**MAE-P337-01Q**  
3.5mm Stereo Balun

The ENFORCER Passive Stereo Baluns are the quick, low-cost way to connect audio devices at greater distances than traditional audio cabling methods. The stereo baluns work in pairs to allow analog audio signals to be transmitted over low-cost Cat5e/6 unshielded twisted pair (UTP) cable.

- Passive operation – No external power required
- Uses low-cost Cat5e/6 cable instead of costly coax cables
- Small size for easy installation
- High immunity from interference – Built-in impedance coupled device and noise filter
- Gold-plated connector for longer life and better reliability (MAE-P317-01Q only)
- Limited lifetime warranty

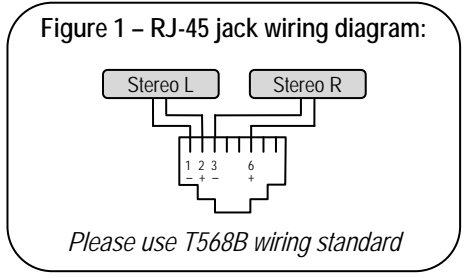
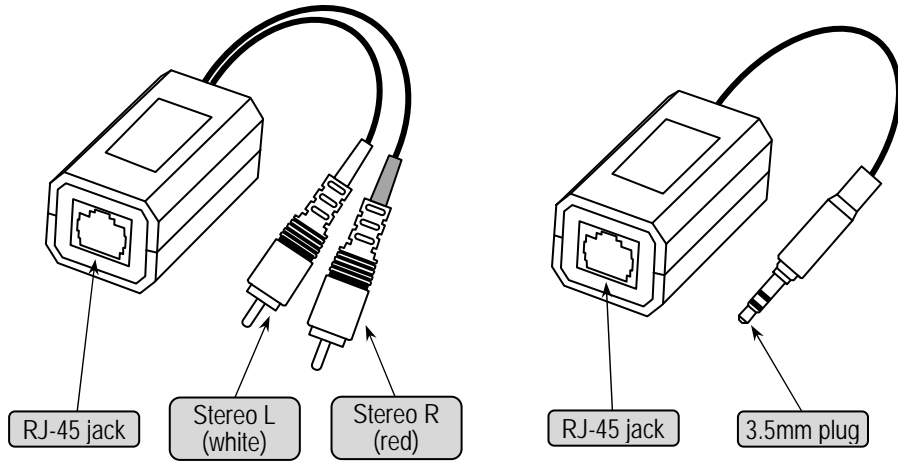


NOTE: Products with a model number that ends with "Q" or have a round green "Q" sticker represent RoHS compliant products.

Overview:

MAE-P317-01Q

MAE-P337-01Q



Installation:

**NOTE:** Stereo baluns are connected in pairs. One connects to the audio source, and the other connects to the audio destination.

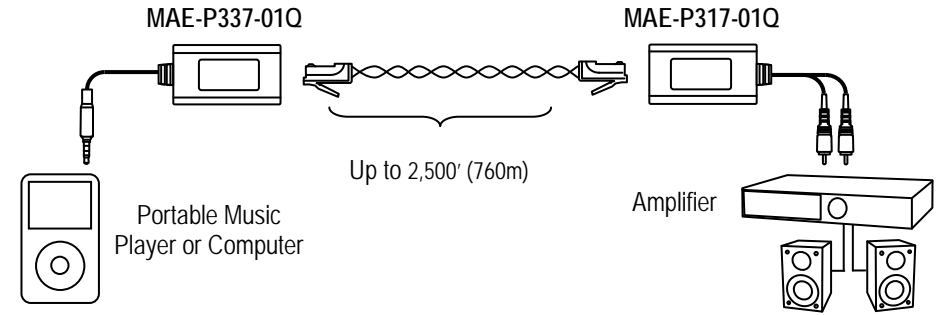
The stereo baluns can be mixed and matched, with both baluns being of the same type, or one being a 3.5mm stereo type and the other being an analog stereo type.

1. Make sure the maximum distance between the audio source and destination does not exceed the maximum range of the stereo baluns.
2. Run the UTP cable from the audio source to where it will be connected to the destination. Follow the audio source's wiring instructions for information on how to safely run and hide this wire.
3. Connect UTP cable to the two audio baluns connecting the RJ-45 plug according to T568B wiring standards.

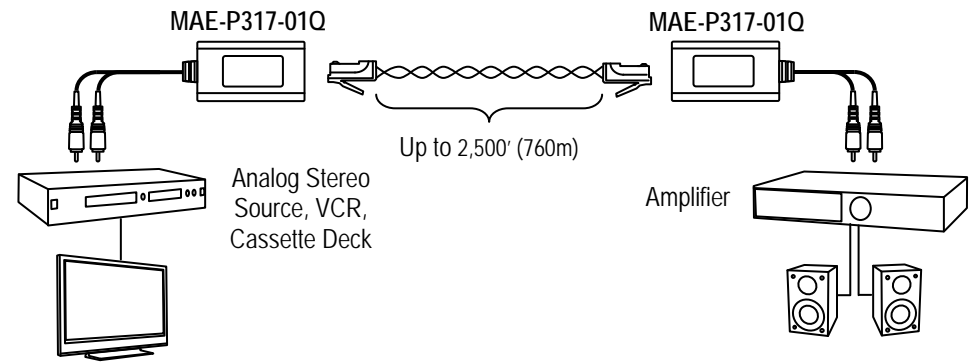
**NOTE:** The baluns are polarity-sensitive. Observe correct polarity.

4. Plug the audio baluns into the connectors on the source and destination.
5. Test the connection by powering up the audio source and destination.

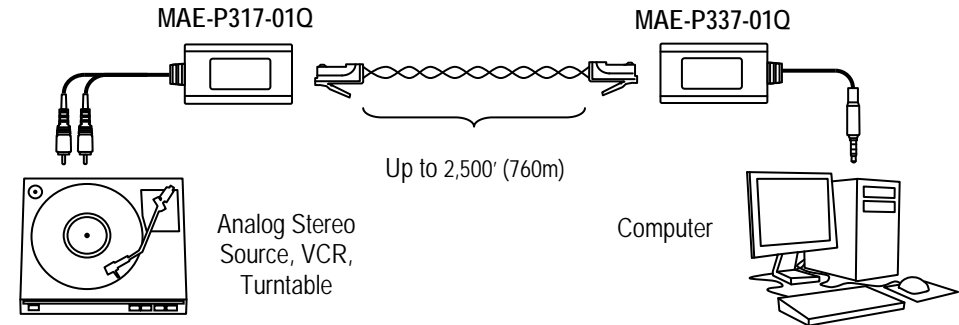
Sample Application #1: Portable Music Player or Computer



Sample Application #2: Analog Stereo Signal



Sample Application #3: Connecting a Stereo Source to a Computer



SECO-LARM has a complete line of audio/video products. Please visit [www.seco-larm.com](http://www.seco-larm.com) for more information.