

M34R SERIES

500lbs Holding Force

Recessed Magnalock® for Traffic Control

The M34R secures sliding doors with Magnalock strength for traffic control applications within a monitored perimeter. The recessed design conceals the maglock for hidden protection that blends with the aesthetics of the opening. Works great on automatic single sliding doors or on sliding doors for storage closets, patios and more.



PRODUCT FEATURES

- Recessed for aesthetically appealing finish
- Fully sealed for weather-proof operations
- 10 ft. [3.05m] of jacketed, stranded conductor cable
- Automatic dual voltage - no field adjustment required
- Instant release circuit - no residual magnetism
- Noise suppression - no interference with sensitive electronics
- Efficient, low power usage
- All ferrous metal surfaces plated for durability and rust resistance
- MagnaCare Lifetime Replacement No Fault Warranty

PRODUCT OPTIONS

- BondSTAT magnetic bond sensor - Patented (MBS)
- Integrated door position switch (DPS)

SPECIFICATIONS

- UL 10C Listed
- CAN4-S104, CAN/ULC-5533 Listed
- UL 294 Recognized Component
- CSFM- California State Fire Marshal Approved
- CE: EN 50081-1(92), EN 61000-6-2(99) Approved
- Patent: 8,094,017

Holding Force:
500lbs [227kg]

Dimensions:
Magnalock: 10-1/2"L x 1-1/8"D x 1-1/2"H
Strike: 6-3/8"L x 1/2"D x 1-7/16"H

Electrical:
320mA at 12VDC
170mA at 24VDC

Operating Temperature:
-40 to +140F [-40 to +60C]
Indoor or Outdoor use

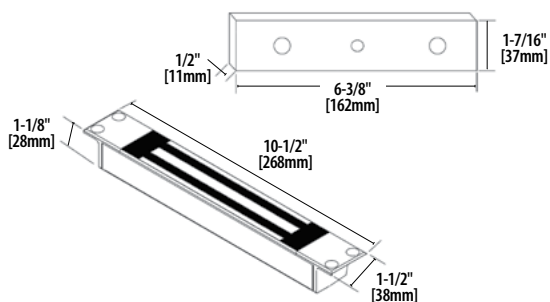
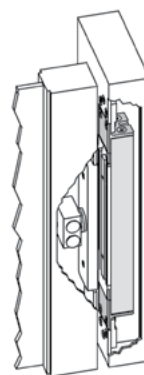
Shipping Weight:
5lbs [2.23kg]

Finishes:
US32D/630 - Satin Stainless Steel

MODELS

PART # | Description

M34R	M34 - Recessed
M34RB	M34 - Recessed, MBS
M34RBD	M34 - Recessed, MBS, DPS
M34RD	M34 - Recessed, DPS



DUAL VOLTAGE



GRADE 1



FIRE RATED

SECURITRON®
ASSA ABLOY