



M3100E Series
4/8/16 channel DVR

FLIR MPX™

Megapixel Over Coax DVR

FLIR's M3100E Series DVRs use the latest HD-CVI technology, giving you the flexibility to upgrade your security systems to 1080P HD resolution using existing coax cabling. With support for both HD resolution MPX cameras, and standard analog cameras, the DVR is ideal for retrofit applications. MPX also facilitates advanced features previously unavailable over a coax cable including duplex transmission for PTZ control, audio transmission, and extended distance cable runs up to 2300 ft.

HIGH DEFINITION QUALITY

Experience outstanding HD resolution over existing coax with up to 1080p resolution. Offers reliable identification with selectable area digital zoom

- Supports 1080p (1920x1080), 720p (1280x720), 960H (960x480) resolution
- MPX format is compatible with HD-CVI and analog

EASY INSTALLATION

Upgrade systems to HD quality without networking complexities or the expense of re-cabling, with the option of maintaining previously installed analog cameras.

- Standard BNC connection – ideal upgrade on existing coax cable
- Supports both HD and SD analog simultaneously

SUPERIOR PERFORMANCE

Zero latency, even with cable lengths up to 700 meters. 2-way communication over coax allows for easy connection and control of PTZ cameras (PTZ cameras sold separately).

- Smooth real-time viewing with zero video latency
- Extended cable runs of up to 2300ft (700m)
- Two-way communication over coax allows for easy connection and control of PTZ cameras (PTZ cameras sold separately)

FLIR CLOUD – QUICK & SECURE REMOTE VIEWING

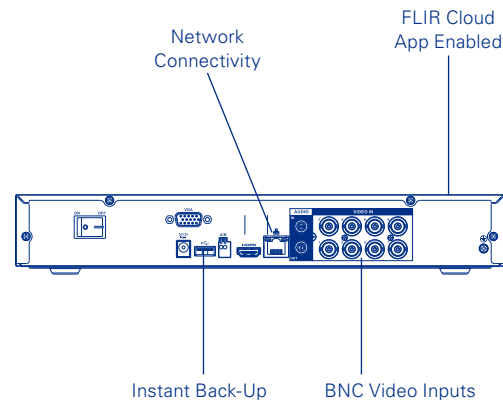
Remote access via iOS, Android, PC / Mac with FLIR Cloud

- Set up remote viewing in three easy steps: install FLIR Cloud app, scan QR code on DVR, view live video
- Multisite viewing on FLIR Cloud CMS for PC / Mac
- Cloud platform will offer premium services to receive Video Surveillance as a Service (VSaaS)



Specifications

DVR Specifications System	M3100E Series
Operating System	Linux (embedded)
Pentaplex	Simultaneous view, record, playback, backup & remote monitoring
Number of Channels	4/8/16 Channels — MPX Cameras Required
Inputs/Outputs	
Video IN	4/8/16 x 1Vp-p, BNC
Video OUT	Yes, 1 VGA & 1 HDMI
VGA OUT	Yes
HDMI IN	Yes
Audio IN	Audio IN 1 channel (RCA), supports 2-way talk
Audio OUT	Audio OUT 1 channel (RCA), supports 2-way talk
USB Port	1 at the back, 1 at the front
Alarm IN	None
Alarm OUT	None
Video Output Resolution	1920x1080 (HDMI), 1280x1024, 1024x768
PTZ Control	RS-485 Pelco D & P Protocol
Display	
Live Display	4 ch: 1, 4 8 ch: 1, 4, 8 16 ch: 1, 4, 8, 9, 16
Live Display Speed	4 ch: 120 NTSC, 100 PAL 8 ch: 240 NTSC, 200 PAL 16 ch: 480 NTSC, 400 PAL
OSD	ON/OFF
System Navigation	USB mouse, IR remote controller, front panel
Motion Area Setting	Fixed grid 396 (22x18) NTSC&PAL
Sensitivity	100
Firmware Upgrade	Via USB device / Network
User Authority	By user group
Time Synchronization	Auto time sync by NTP server
Recording	
Video Compression	H.264
Audio Compression	G.711
Recording Resolution*	NTSC: 1080p (1920x1080), 720p (1280x720), 960x480, 704x480, 352x480, 704x240, 352x240, 176x120 PAL: 1080p (1920x1080), 720p (1280x720), 960x576, 704x576, 352x288, 176x144
Recording Frame Rate	NTSC 4 ch: 60FPS@1080P 120FPS@ 720P 8 ch: 120FPS@1080P 240FPS @ 720P 16ch: 240FPS@1080P 480FPS@720P PAL 4 ch: 48FPS @ 1080P 100FPS @ 720P 8 ch: 96FPS@1080P 200FPS @ 720P 16ch: 192FPS@1080P 400FPS@720P
Recording Resolution Setting	Per camera for different resolutions
Recording Quality Control	6 Levels
Recording Schedule	By hour, by day, by recording mode, by motion, by alarm, by channel
Pre Recording	Max. 30 Seconds
Post Recording	Max. 5 min / Min. 10 Sec
Reliability	Watch-Dog, auto-recovery after power failure
Covert Video	Yes
Playback	
Playback Channel	4 ch: 1 / 4, 8 ch: 1 / 4 / 8, 16ch: 1/4/8/16
Playback Speed	Variable max 4x
Playback Players	Backup Player
Search	By Time/Date, MD & Exact search (accurate to second)
Log Search	Up to 1,000 lines for motion detected, configuration changes, connects/disconnects and video loss
Audio Play	Yes
Storage & Archive	
Storage	1 HDD (SATA)
Maximum Capacity	Up to 4TB
Backup Media	USB flash drive & HDD & Network
Backup File Format	DAV or ASF file



*1080p MPX cameras are required to take advantage of 1080p recording. You may need to upgrade the DVR firmware to enable 1080p recording..

Specifications

DVR Specifications Cont. M3100E Series	
Connectivity	
Cloud Connection	FLIR Cloud™
Supported Operating Systems	Windows™, Mac OSX
Remote Software	Client Software (PC) & Safari (Mac)
Email Notification	Text with snapshot
Instant Smart Phone & Tablet Support	FLIR Cloud™ iPad®, iPhone®, Android™ apps
DDNS	Free FLIR DDNS
System Configuration	Full setup configuration over network
Ports	Programmable by User
Network Protocol	HTTP, IPv4/IPv6, TCP/IP, UPNP, RTSP, UDP, SMTP, NTP, DHCP, DNS, PPPOE, DDNS, FTP, IP Filter
Network Interface	10/100-Base-TX, RJ-45
Network Speed Control	96Kb ~ 4096kb/sec. per camera
DVR General Information	
Power Consumption	Approx. 10 watts (No HDD Installed)
Supply Voltage	4/8 ch: 100VAC-240VAC, 12VDC, 2A, 50/60Hz 16 ch: 100VAC-240VAC, 12VDC, 3A, 50/60Hz
Unit Dimensions (W x D x H)	12.8" x 10" x 2.2" / 325mm x 255mm x 55mm
Unit Weight	3.3 lb / 1.5 kg (without HDD)
Operating Temperature	14° ~ 131° F / -10° ~ 55° C
Humidity	10 ~ 90% RH

Ordering Information

NTSC models

M3104E0: 8-41430-01218-4 (4ch, no HDD)
M3104E1: 8-41430-01219-1 (4ch, 1TB HDD)
M3104E2: 8-41430-01220-7 (4ch, 2TB HDD)
M3108E0: 8-41430-01221-4 (8ch, no HDD)
M3108E1: 8-41430-01246-7 (8ch, 1TB HDD)
M3108E2: 8-41430-01222-1 (8ch, 2TB HDD)
M3116E0: 8-41430-01223-8 (16ch, no HDD)
M3116E2: 8-41430-01224-5 (16ch, 2TB HDD)

Package Dimensions

14.6 x 4.5 x 12" / 370 x 115 x 305mm

MARKHAM, ONTARIO

FLIR Systems, Inc.
250 Royal Crest Court
Markham, ON L3R 3S1
Canada
PH: +1 866.344.4674

PORTLAND

Corporate Headquarters
FLIR Systems, Inc.
27700 SW Parkway Ave.
Wilsonville, OR 97070
USA
PH: +1 866.477.3687

www.flir.com/security
NASDAQ: FLIR

Equipment described herein may require US Government authorization for export purposes. Diversion contrary to US law is prohibited. Imagery for illustration purposes only. Specifications are subject to change without notice. ©2015 FLIR Systems, Inc. All rights reserved. [Created 07/02/15]