

Ultra HD Megapixel Lenses

Arecont Vision Ultra HD Megapixel Lenses

Tamron M118FM08 Tamron M118FM16 Spacecom JHF25M Spacecom JHF35M



Ultra HD Megapixel Lenses are used in conjunction with Arecont Vision 5MP and 10 megapixel MegaVideo® cameras to deliver maximum performance and image quality.

Arecont Vision Advantages:

Comparing traditional security megapixel lenses, Ultra HD Megapixel lenses have below advantages:

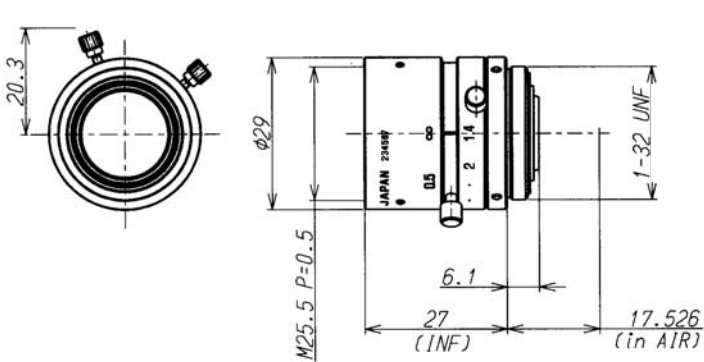
- Larger aperture, F1.4
- Higher sharpness
- Lower distortion
- Better relative illumination
- Less chromatic aberration

Ultra HD Megapixel Lenses

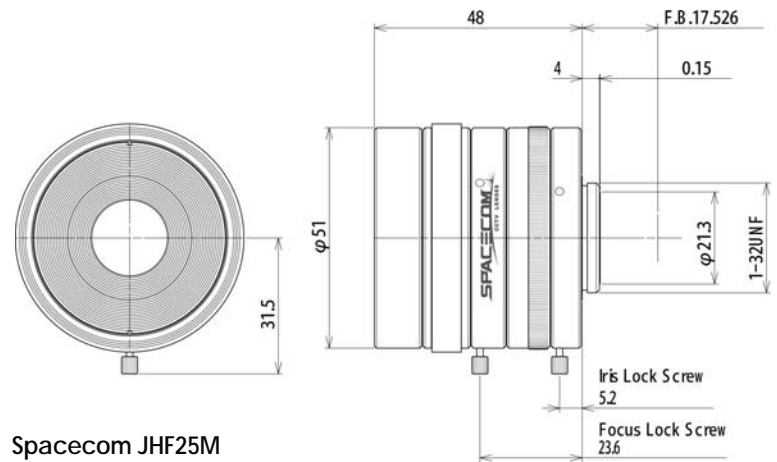
Model Numbers:

- Tamron M118FM08
- Tamron M118FM16
- Spacecom JHF25M
- Spacecom JHF35M

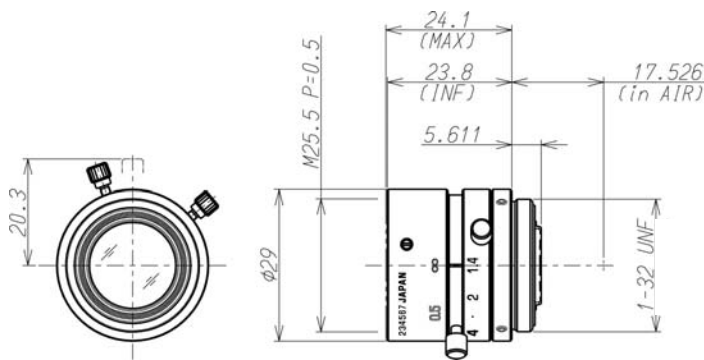
	Model	Focal length	Optical format	Iris Range	FOV - H @ AV510X	FOV - H @ AV10005	M.O.D	Mount	Dimension (mm)	Wight
	Tamron M118FM08	8mm	1/1.8"	F.1.4 - 16	40.3°	45.1°	0.1 m	C	Ø 29 x 27.3 L	44 g
	Tamron M118FM16	16mm	1/1.8"	F.1.4 - 16	20.3°	22.8°	0.1 m	C	Ø 29 x 24.1 L	39 g
	Spacecom JHF25M	25mm	2/3"	F.1.4 - 22	13.0°	14.6°	0.2 m	C	Ø 51 x 48 L	190 g
	Spacecom JHF35M	35mm	2/3"	F.1.4 - 22	9.3°	10.5°	0.25 m	C	Ø 51 x 62 L	230 g



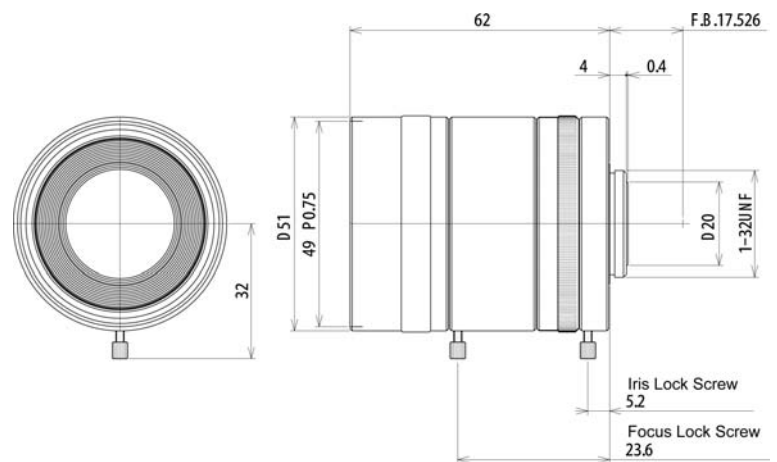
Tamron M118FM08



Spacecom JHF25M



Tamron M118FM16



Spacecom JHF35M

Unit

Made in USA