

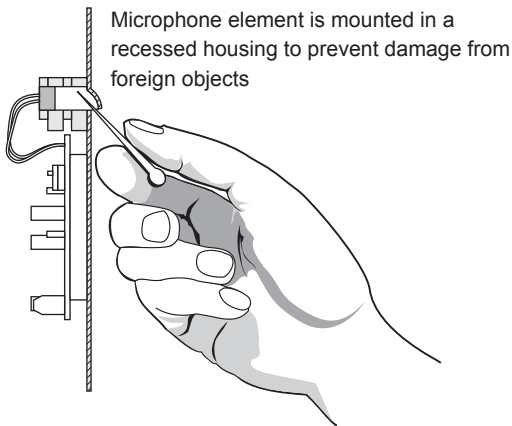
DESCRIPTION

Verifact™ "D-V" Microphone is a low impedance electret condenser microphone mounted to a 16 gauge stainless steel faceplate. It fits into a single gang electrical box for flush or surface mounting and is designed for areas of high vandalism.

APPLICATION

As part of a Louroe Audio System, the Verifact "D-V" Microphone can be used in situations such as:

- Convenience Stores
- Warehouses
- Booking Rooms
- Interrogation Rooms
- Hospital Observation Rooms
- Parking Structures
- Casino Soft Count
- Anywhere CCTV Cameras Are Installed.


WIRING REQUIREMENTS

2 Conductor shielded cable, 22 gauge with a 24 gauge drain wire.
 NOTE: Unshielded cable is not satisfactory for audio systems


IMPORTANT NOTICE

When this equipment is used as part of an audio monitoring system, the law requires that the public be given notice of AUDIO MONITORING ON THE PREMISES. A decal notice is included with each microphone shipped.

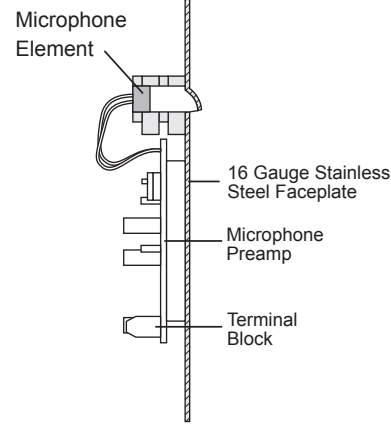

FEDERAL LAW REFERENCES:

Federal Regulations, US Code, Title 18. Crime and Criminal Procedure, Sec 2510.

**MANUFACTURED
 IN THE**



Verifact "D-V" Microphone


FEATURES

- High sensitivity to low sound pressure
- Microphone can pick up normal sounds from 15' away
- May be located up to 1000' from base station
- Phantom powered from Louroe Base Station
- Microphone preamp contains sensitivity switch for lowering gain
- Fits into single gang electrical box (not included)
- Flush or surface mount to wall or ceiling

SPECIFICATIONS (Microphone - Verifact "D-V")

■ Type	Electret Condenser
■ Output	Line Level (0dB @1KΩ)
■ Frequency response	40Hz to 15kHz ± 1dB
■ Current drain	4mA
■ Supply voltage	12Vdc
■ Output impedance	600Ω unbalanced
■ Dimensions (faceplate)	2 3/4" W x 4 1/2" H
■ Backbox	Single gang electrical box (not included)
■ Weight	(4.5 oz) (0.27 lbs) (0.13 kg)

WARRANTY

LOUROE ELECTRONICS® warrants that at the time of shipment products manufactured by LOUROE ELECTRONICS to be free of defects in material and workmanship. Should a defect appear within one year (12 months) from date of shipment, LOUROE ELECTRONICS will, at its sole discretion, repair or replace the defective equipment. This equipment shall not be accepted for repair or return without prior notification by LOUROE ELECTRONICS.

This warranty does not extend to any Louroe product that has been subjected to improper or incorrect installation, misuse, accident, or in violation of installation instructions provided by LOUROE ELECTRONICS.

Returned shipments to LOUROE ELECTRONICS shall be at customer's expense. LOUROE ELECTRONICS will return the equipment prepaid via best way.