

KTD-405 Series

Controller keyboards



OVERVIEW

The UltraView® KTD-405 Series controller keyboards are compatible with many Interlogix products, including switchers, domes and DVRs. This series has been designed to control up to 1,024 cameras or receivers and 128 switched monitors. The keyboards can also control Digiplex® systems, and an RS422/RS485 communication port enables the unit to operate a number of components: SymDec™ 16 plus 4; SymSafe™ and SymSafe Pro; DVMRe; multiplexers; matrix switchers; alarm interfaces; Legend™ and CyberDome™ PTZ cameras. These units can select and switch video, initiate camera tours and select monitors.

The keyboards operate in one of two modes: discrete zone or standard Digiplex. In the discrete zone mode, the system can be divided into 32 zones with up to 32 cameras in each zone. Multiplexers serve as the switching devices in this mode. In standard Digiplex mode, a matrix switcher is the system's primary switching device. Other features include a three-axis joystick (two-axis joystick in the KTD-405-2D) for exceptional pan/tilt maneuverability in PTZ applications and dedicated recorder operation keys. When call-ins occur, a built-in annunciator alerts the user that attention is needed. These keyboards can stack up to 32 call-in requests in the order they were received. The first three call-in requests are displayed and a reminder tone sounds every 15 seconds until all active call-ins have been cleared from its queue. Authorized personnel can program the unit and other Digiplex components through confidential access codes.

STANDARD FEATURES

- Digiplex system control
- RS422/RS485 communication port enables operation with DVRs, multiplexers, matrix switchers, alarm interfaces and PTZ cameras
- RS232 communication port
- Zone system partitioning
- Security levels
- Three-axis joystick (KTD-405/KTD-405A)
- Two-axis joystick (KTD-405-2D)
- Built-in annunciator
- Backlit liquid crystal display

KTD-405 Series

Controller keyboards

North America
T 855-286-8889

Latin America
T 561-998-6114

Specifications

Electrical

Input Voltage	9VAC/12VDC
Power	5W
Output 1	RS422 Digiplex® protocol
Output 2	RS232, RJ45 connector
Microcontrollers	89C51-RD2—CPU and RS485 UART; 89C51-RD2 Auxiliary CPU and RS422 UART
Hard Programming	4-position DIP switch
NV RAM	Built into processors

Controls

Keys	43 momentary push-buttons
Joystick	3-axis (KTD-405) 2-axis (KTD-405-2D)

Mechanical

Weight	1.95 lb (0.88 kg)
--------	-------------------

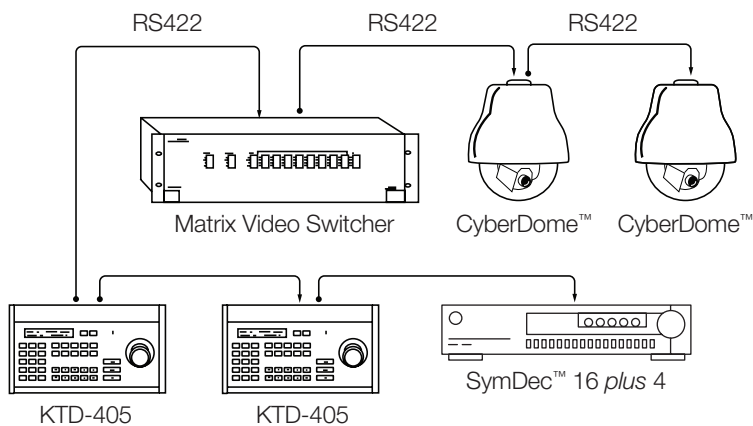
Construction

Housing	Aluminum with ABS plastic end caps
Color	Dark gray
Keys	Integrated rubberized molding (elastomere)

Ordering Information

KTD-405	Three-Axis Variable-Speed Controller Keypad. Controls 2,048 PTZ sites, 256 Switched Monitors, Multiplexers, DVMRe, DVR, VCR
KTD-405-2D	Two-Axis Variable-Speed Controller Keypad. Controls 2,048 PTZ sites, 256 Switched Monitors, Multiplexers, DVMRe, DVR, VCR

Digiplex Mode



interlogix.com

Specifications subject to change without notice.

© 2014 United Technologies Corporation.
All rights reserved.
Interlogix is part of UTC Building & Industrial Systems,
a unit of United Technologies Corporation.

410-3872 2014/10 (79864)