

**A Design that delineates it as unique among the unique.**



### Features

- Modular design enables individual modules to be stocked
- Height of Frames match common apartment mail box sizes
- Corrosion-resistant exterior
- Made from anodized aluminium, the KV-Series Entry Panel can withstand years of environmental abuse
- Clear indication of tenant call buttons
- A 'paper-like' film directory insert can be easily updated
- Standard Rough-in backbox sizes

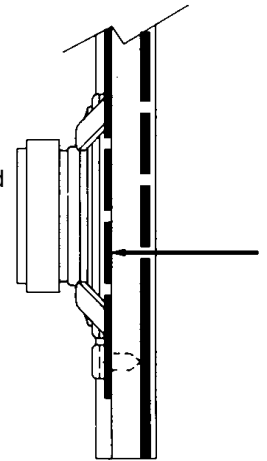
Mircom's ingenious design of KV-Series lobby panels are inspired by the continuous demands of architects, engineers, contractors and building owners.

Made from rugged aluminium alloy the KV-Series is built to withstand years of use and abuse. Vandal-resistant features include metal call buttons, a poke resistant speaker grill and unique locking mechanism. The metal buttons prevent vandals from melting them with cigarettes or lighters.

A variety of panels for speaker or handset intercom systems makes it easy to assembly a lobby panel to fit in virtually all applications. Each panel has a varying number of call buttons and directory spaces to accommodate system sizes from two to fifty apartments.

The modular construction of the K-Series panels makes it easy for distributors to stock and provide immediate delivery for their customers.

For vandalism protection a 16 AWG sheet of metal covers each speaker. A staggered arrangement of the speaker grill provides puncture protection without muffling the sound transmission of the speaker.



### Backboxes & Frames

Surface or flush rough-in backboxes are available for each frame. All the backboxes are designed to house the system components of typical intercom systems.



#### Frames

Frames for the KV-Series vary in width to accommodate from one to six panels.

#### Dimensions

All frames have a standard outside dimension height of 483 mm (19 inches). The width will vary of the frame size.

KF-101	153 mm	(6 inches)
KF-102	254 mm	(10 inches)
KF-103	356 mm	(14 inches)
KF-104	457 mm	(18 inches)



#### KB-100 Series Flush Backboxes

Made from satin finished steel, each KV-Series backbox provide knockouts for electrical conduits and wire connections

#### Dimensions

All KB-100 Series backboxes have a fixed in wall height dimension of 441 mm (17.4") and depth of 95 mm (3.75"). The width of each backbox will vary on the number of panels it must accommodate.

KB-101	115 mm	(4.5 inches)
KB-102	217 mm	(8.5 inches)
KB-103	318 mm	(12.5 inches)
KB-104	420 mm	(16.5 inches)




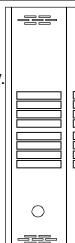
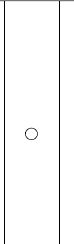


#### KB-300 Series Surface Backboxes

All the surface backboxes are made from anodized aluminium

#### Dimensions

Each KB-300 Series backbox has a fixed depth of 64 mm (2.5") and a fixed height of 483 mm (19"). The width of each backbox will vary on the number of panels it must accommodate.

KB-301	155 mm	(6.1 inches)
KB-302	257 mm	(10.1 inches)
KB-303	358 mm	(14.1 inches)
KB-304	460 mm	(18.1 inches)

<b>MODULES</b>	<b>Standard Simplex Systems</b>		<b>Duplex Handset Systems</b>	
	 <p><b>Push-button - 4 to 20 Apartments.</b></p> <p>For all remote types except handsets.            Model KVS-104 4 Apts.            Model KVS-108 8 Apts.            Model KVS-112 12 Apts.            Model KVS-116 16 Apts.            Model KVS-120 20 Apts.</p>	 <p><b>Push-button with Postal Lock - 4 to 16 Apartments.</b></p> <p>For all remote types except handsets.            Model KVS-104P 4 Apts.            Model KVS-108P 8 Apts.            Model KVS-112P 12 Apts.</p>	 <p><b>Push-button - 4 to 16 Apartments.</b></p> <p>For 1132 Handset remote only.            Model KVT-104 4 Apts.            Model KVT-108 8 Apts.            Model KVT-112 12 Apts.            Model KVT-116 16 Apts.</p>	 <p><b>Speaker with Postal Lock For all handset type stations</b></p>
<b>MODULES</b>	 <p><b>KM-PO2 Postman's Lock Assembly</b></p> <p>For mounting Post Office Master Lock.</p>	 <p><b>KVP-112 12 Push-button Directory</b></p> <p><b>KVP-124 24 Push-button Directory</b> Use with all Mircom Remote Stations.</p>	 <p><b>KP-100 Blank Multi-purpose</b></p>	

## Ordering Information

# OF SUITES	# OF ADDITIONAL PANELS				FRAME	FLUSH BACKBOX	SURFACE BACKBOX
	1	2	3	4			
<b>SPEAKER TYPE SYSTEMS</b>							
4	KVS-104				KF-101	KB-101	KB-301
	KVS-104P				KF-101	KB-101	KB-301
8	KVS-108				KF-101	KB-101	KB-301
	KVS-108P				KF-101	KB-101	KB-301
12	KVS-112				KF-101	KB-101	KB-301
	KVS-112P				KF-101	KB-101	KB-301
16	KVS-116				KF-101	KB-101	KB-301
	KVS-104P	KVP-112			KF-102	KB-102	KB-302
20	KVS-120				KF-101	KB-101	KB-301
	KVS-108P	KVP-112			KF-102	KB-102	KB-302
24	KVS-112	KVP-112			KF-102	KB-102	KB-302
	KVS-112P	KVP-112			KF-102	KB-102	KB-302
28	KVS-104	KVP-124			KF-102	KB-102	KB-302
	KVS-104P	KVP-124			KF-102	KB-102	KB-302
32	KVS-108	KVP-124			KF-102	KB-102	KB-302
	KVS-108P	KVP-124			KF-102	KB-102	KB-302
36	KVS-112	KVP-124			KF-102	KB-102	KB-302
	KVS-112P	KVP-124			KF-102	KB-102	KB-302
40	KVS-116	KVP-124			KF-102	KB-102	KB-302
	KVS-104P	KVP-112	KVP-124		KF-103	KB-103	KB-303
44	KVS-120	KVP-124			KF-102	KB-102	KB-302
	KVS-108P	KVP-112	KVP-124		KF-103	KB-103	KB-303
48	KVS-112	KVP-112	KVP-124		KF-103	KB-103	KB-303
	KVS-112P	KVP-112	KVP-124		KF-103	KB-103	KB-303
52	KVS-116	KVP-112	KVP-124		KF-103	KB-103	KB-303
	KVS-104P	KVP-124	KVP-124		KF-103	KB-103	KB-303

# OF SUITES	# OF ADDITIONAL PANELS				FRAME	FLUSH BACKBOX	SURFACE BACKBOX
	1	2	3	4			
<b>HANDSET TYPE SYSTEMS</b>							
4	KVT-104				KF-101	KB-101	KB-301
	KVT-104	KM-PO2			KF-102	KB-102	KB-302
8	KVT-108				KF-101	KB-101	KB-301
	KVT-108	KM-PO2			KF-102	KB-102	KB-302
12	KVT-112				KF-101	KB-101	KB-301
	KT-100P	KVP-112			KF-102	KB-102	KB-302
16	KVT-116				KF-101	KB-101	KB-301
	KVT-116	KM-PO2			KF-102	KB-102	KB-302
20	KVT-108	KVP-112			KF-102	KB-102	KB-302
	KT-100P	KVP-124			KF-102	KB-102	KB-302
24	KVT-112	KVP-112			KF-102	KB-102	KB-302
	KT-100P	KVP-124			KF-102	KB-102	KB-302
28	KVT-104	KVP-124			KF-102	KB-102	KB-302
	KVT-104	KVP-124	KM-PO2		KF-103	KB-103	KB-303
32	KVT-108	KVP-124			KF-102	KB-102	KB-302
	KVT-108	KVP-124	KM-PO2		KF-103	KB-103	KB-303
36	KVT-112	KVP-124			KF-102	KB-102	KB-302
	KVT-112	KVP-124	KM-PO2		KF-103	KB-103	KB-303
40	KVT-116	KVP-124			KF-102	KB-102	KB-302
	KVT-116	KVP-124	KM-PO2		KF-103	KB-103	KB-303
44	KVT-108	KVP-112	KVP-124		KF-103	KB-103	KB-303
	KT-100P	KVP-124	KVP-124		KF-103	KB-103	KB-303
48	KVT-112	KVP-112	KVP-124		KF-103	KB-103	KB-303
	KT-100P	KVP-124	KVP-124		KF-103	KB-103	KB-303
52	KVT-104	KVP-124	KVP-124		KF-103	KB-103	KB-303
	KVT-116	KVP-112	KVP-124	KM-PO2	KF-104	KB-104	KB-304

Panels with Postal Lock Features.

NOT TO BE USED FOR INSTALLATION PURPOSES.



**Canada**  
 25 Interchange Way  
 Vaughan, Ontario L4K 4L7  
 Telephone: (905) 660-4655  
 Fax: (905) 660-4113

**U.S.A.**  
 4575 Witmer Industrial Estates  
 Niagara Falls, NY 14305  
 Toll Free: (888) 660-4655  
 Fax Toll Free: (888) 660-4113

Web page: <http://www.mircom.com> Email: [mail@mircom.com](mailto:mail@mircom.com)

Distributed by:



CAT. 7201  
Rev. 6