

Keyscan's USB-SER Communication Adaptor

When connecting to a computer, the USB-SER provides Keyscan system compatibility and offers RS485 to USB conversion as well as RS232 to USB conversion all on one compact easy to use device. The USB-SER is ideal for technicians, on the road demonstrations and instances where the access control computer does not have a serial communication port.

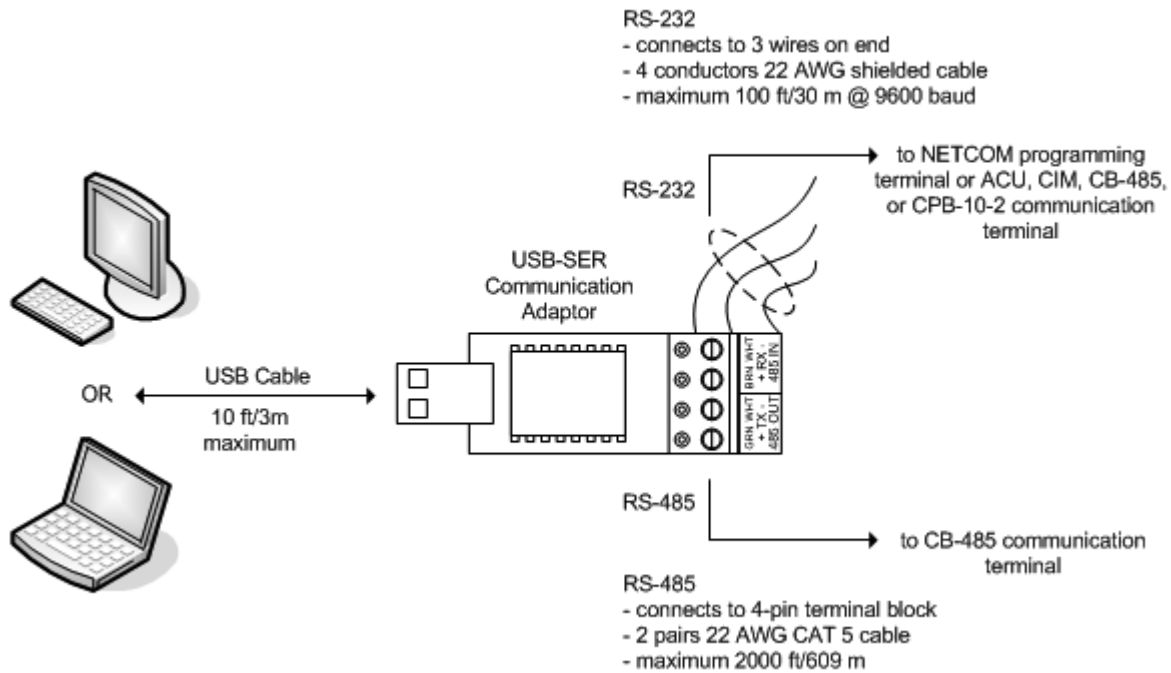
Features

- Converts RS-232 to USB communication
- Converts RS-485 to USB communication
- Powered through computer's USB port
- USB 1.1 or 2.0 compatible
- Includes 6ft (1.8m) USB extension cable for added convenience
- Has clear plastic sleeve for electrical isolation and viewing of board mounted TX and RX LEDs
- Ideal for single ACU communication
- Convenient for laptop programming/control or where COM port is unavailable

USB-SER

Communication Adaptor

Applications:



Specifications:

Input Power Requirements

- Powered through PC/Laptop USB port

OS Compatibility

- Windows 2000 , Windows XP Pro, Windows Vista, Windows 7—Professional, Enterprise & Ultimate versions

Environmental

- Suitable for industrial and commercial applications.
- Operating temperatures: 5° to 70°C (41° to 158°F)

USB Compliant

- USB 1.1 or USB 2.0

Cable

RS-232

- 4 conductor 22 AWG shielded cable

RS-485

- 2 pair 22 AWG CAT5 cable

Dimensions

- 2 5/8" x 3/4" (7.0 cm x 1.9 cm)

Signal Protocols

- RS232 & RS-485