

# Model IPPWR16

## 16 Port Gb PoE+ Surge Protector

# Installation and Operation Manual

### Description

The IPPWR16 is designed to provide 16 channels of surge protection for network devices. It can be used with both PoE+ and non-PoE devices. The IPPWR16 is cost-effective and ideally suited for protecting multi-input devices such as a network hub, NVR, or groups of IP cameras or servers. The IPPWR16 is rack mountable in a standard 19" rack. It installs in minutes and provides a single easy access point for grounding.

### Specifications

Enclosure Type	19" rack, 2RU Height
Connection Method	Standard RJ45 (16 In - 16 Out)
Clamping Voltage	58v (on all lines)
Network Type	10/100/1000 PoE+ or non-PoE
Temperature	-40°C to +85°C

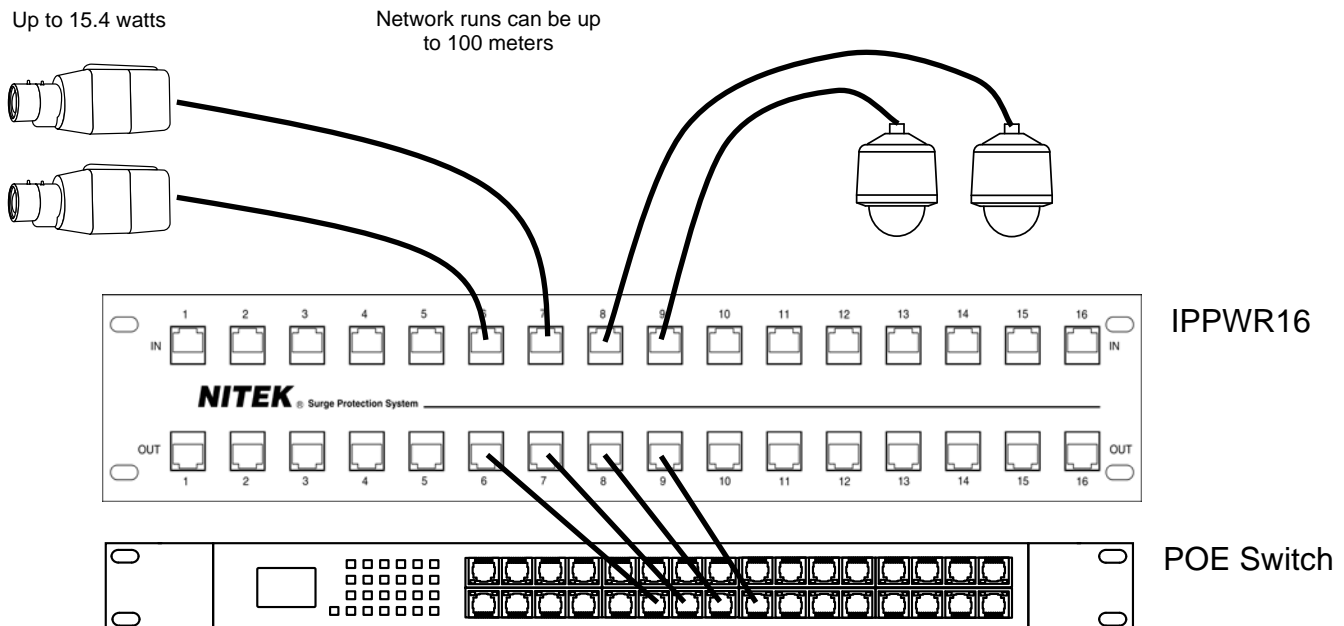
### Installation

The IPPWR16 must be properly installed to insure maximum protection. The function of the IPPWR16 is to allow a surge to be routed to ground and to clamp the protected equipment video inputs to a minimum voltage.

There are three key points to remember when installing the IPPWR16. First, provide a low impedance connection between the IPPWR16 and your protected equipment. This is best done by keeping the **PROTECTED** Ethernet cable connections as short as possible, ideally less than 3 feet.

Second, the system should use a single ground point. Connect the grounding stud of the IPPWR16 to a single ground point. A single ground point is a proper building ground to which equipment grounds are connected. Ideally, the protected equipment should be isolated from ground. If the IPPWR16 and the protected equipment are both grounded you will provide a parallel path to ground and a portion of the surge current can flow through that path. Additionally, AC power line protectors should be used to complete your surge protection strategy.

Finally, the **UNPROTECTED** cables and wires should not be crossed with the **PROTECTED** cables and wires. Crossing cables could provide a path for surge currents to bypass the IPPWR16 protection circuits.



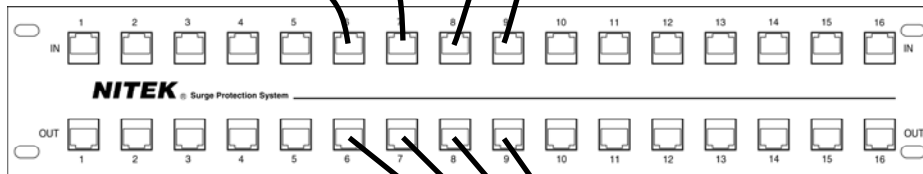
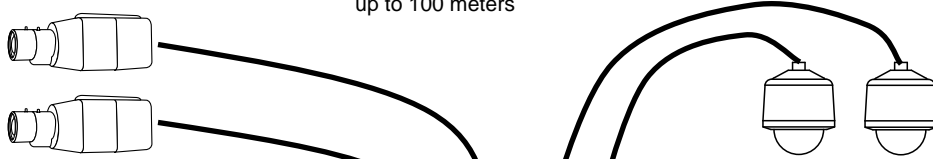
# NITEK®

USA Office:  
5410 Newport Drive, Rolling Meadows, IL 60008  
Phone: (800) 529-8900  
Fax: (847) 259-1300  
E-mail: info@nitek.net  
WWW.NITEK.NET

Europe Office:  
De Schans 19-21 2a, 8231 KA Lelystad  
The Netherlands  
Tel: +31(0)320-230005  
Fax: +31(0)320-282186  
E-mail: info@nitek.nl  
WWW.NITEK.NL

Up to 15.4 watts

Network runs can be up to 100 meters



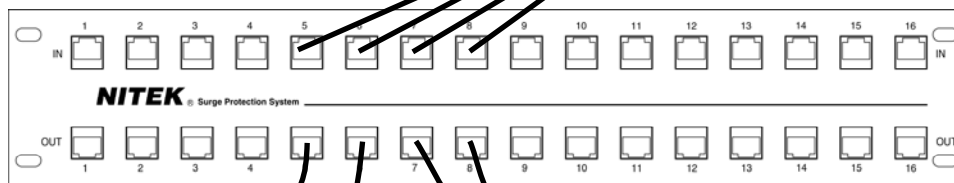
IPPWR16



PoE Switch



PoE Switch



IPPWR16

