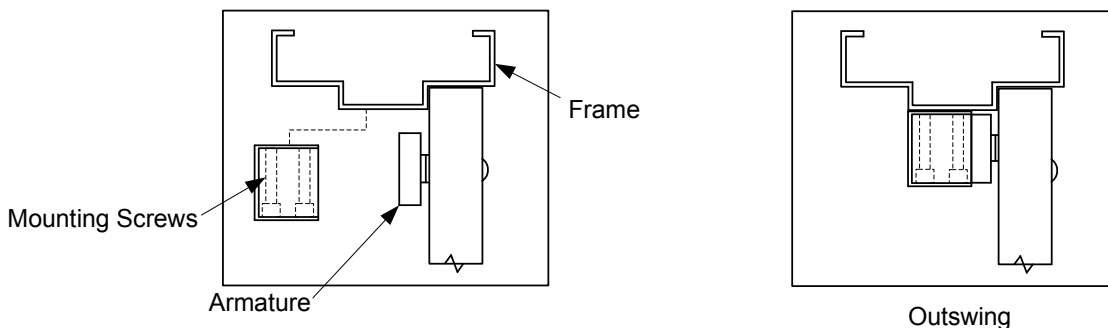
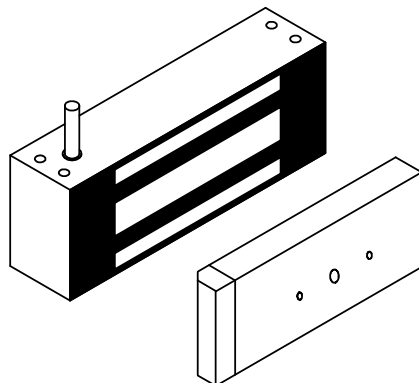




3580 Willow Lane, Westlake Village, CA 91361-4921  
 (805) 494-0622 • Fax: (805) 494-8861  
 www.sdcsecurity.com • E-mail: service@sdsecurity.com

## INSTALLATION INSTRUCTIONS E6200 SERIES MAGNETIC LOCK

The E6200 Series magnetic lock is mounted to the underside of the header, on the stop side of the door.



### Electrical Instructions:

Use properly fused U. L. Listed Power Supply

Do not install a diode in parallel with any magnetic lock. A diode will cause a delay when releasing the door and residual magnetism to occur.

Although SDC recommends the use of a DC power supply, a transformer with an adjacent mounted full wave bridge rectifier may be used. A significant drop will occur when using a full wave bridge rectifier.

Any low voltage condition will cause erratic operation of the optional board sensor.

When using a full wave bridge rectifier all access controls and/or release contacts must be located between the EMlock and rectifier to ensure quick release.

### Electrical Specifications:

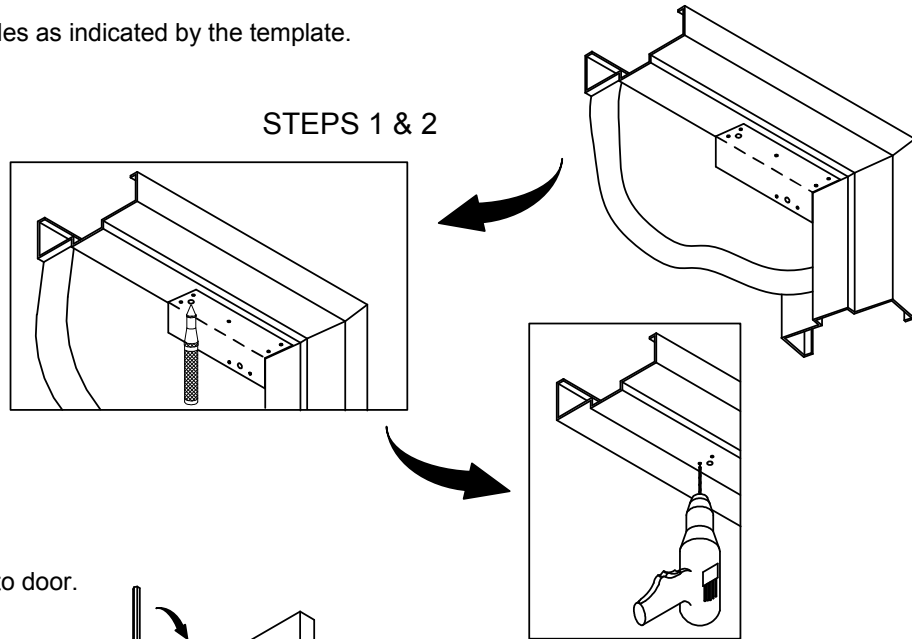
Dual Voltage 12 or 24VDC

Power Consumption .250mA@12VDC  
 .125mA@24VDC

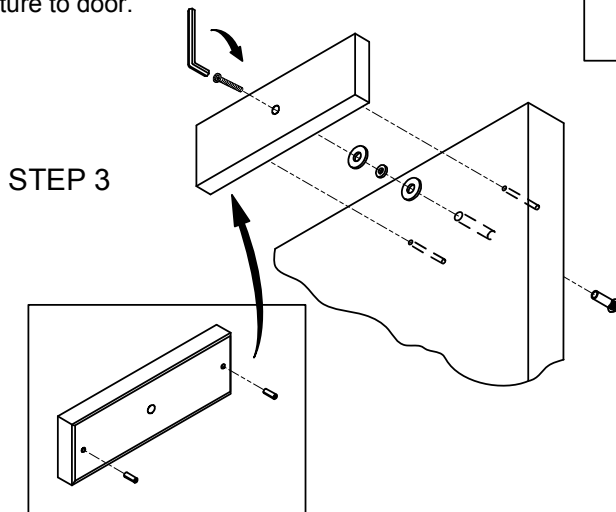
DS Door Status Sensor SPDT, 500mA@30VDC  
 LS Lock Status Sensor SPDT, 2A@30VDC

Any suggestions or comments to this instruction or product are welcome. Please contact us through our website or email engineer@sdsecurity.com

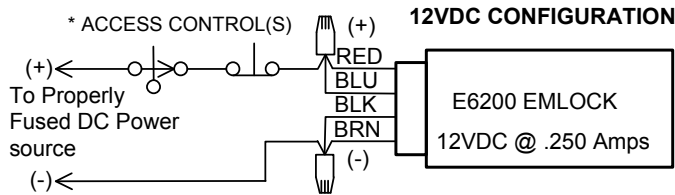
1. Fold template as indicated on dotted line. For single doors locate template against the door and header on the lock jamb side of the frame.
2. Mark and drill holes as indicated by the template.



3. Mount armature to door.

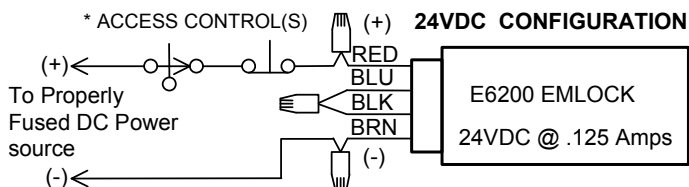


**4. WIRING DETAILS:**



**BOND SENSOR (BAS) WIRING**

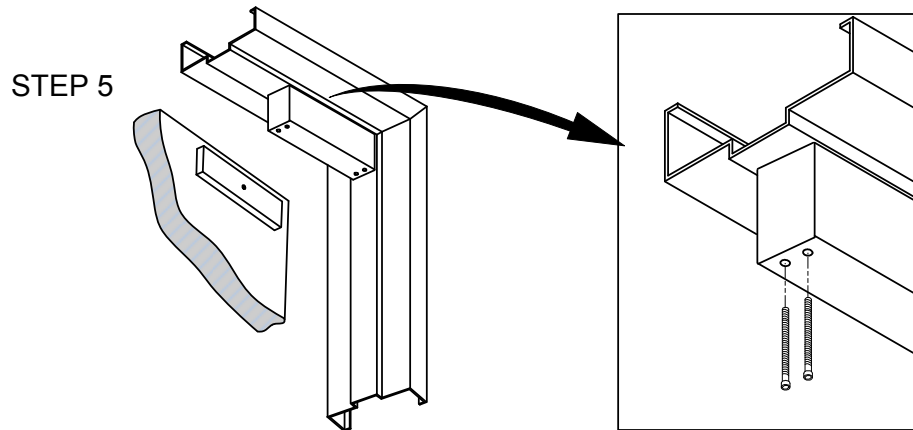
WIRE COLOR	CONTACT	DESCRIPTION
YEL	N/O	GOOD BOND
GRN	COM	COMMON
ORG	N/C	NO/POOR BOND



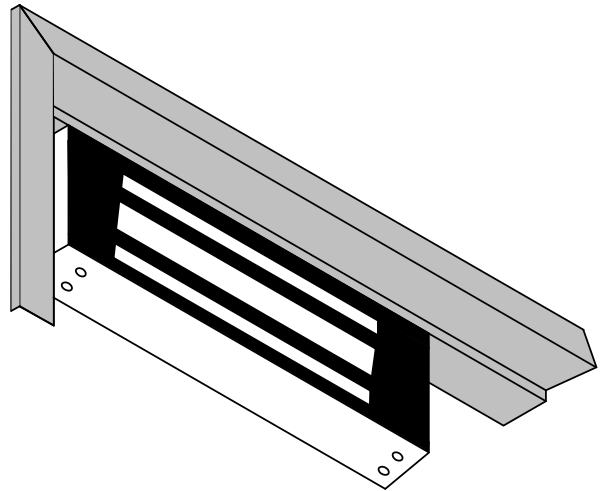
**DOOR POSITION SENSOR (DPS) WIRING**

WIRE COLOR	CONTACT	DESCRIPTION
WHT	N/O	ACTIVATE WHEN DOOR OPEN
GRY	COM	COMMON
VIO	N/C	ACTIVATE WHEN DOOR CLOSED

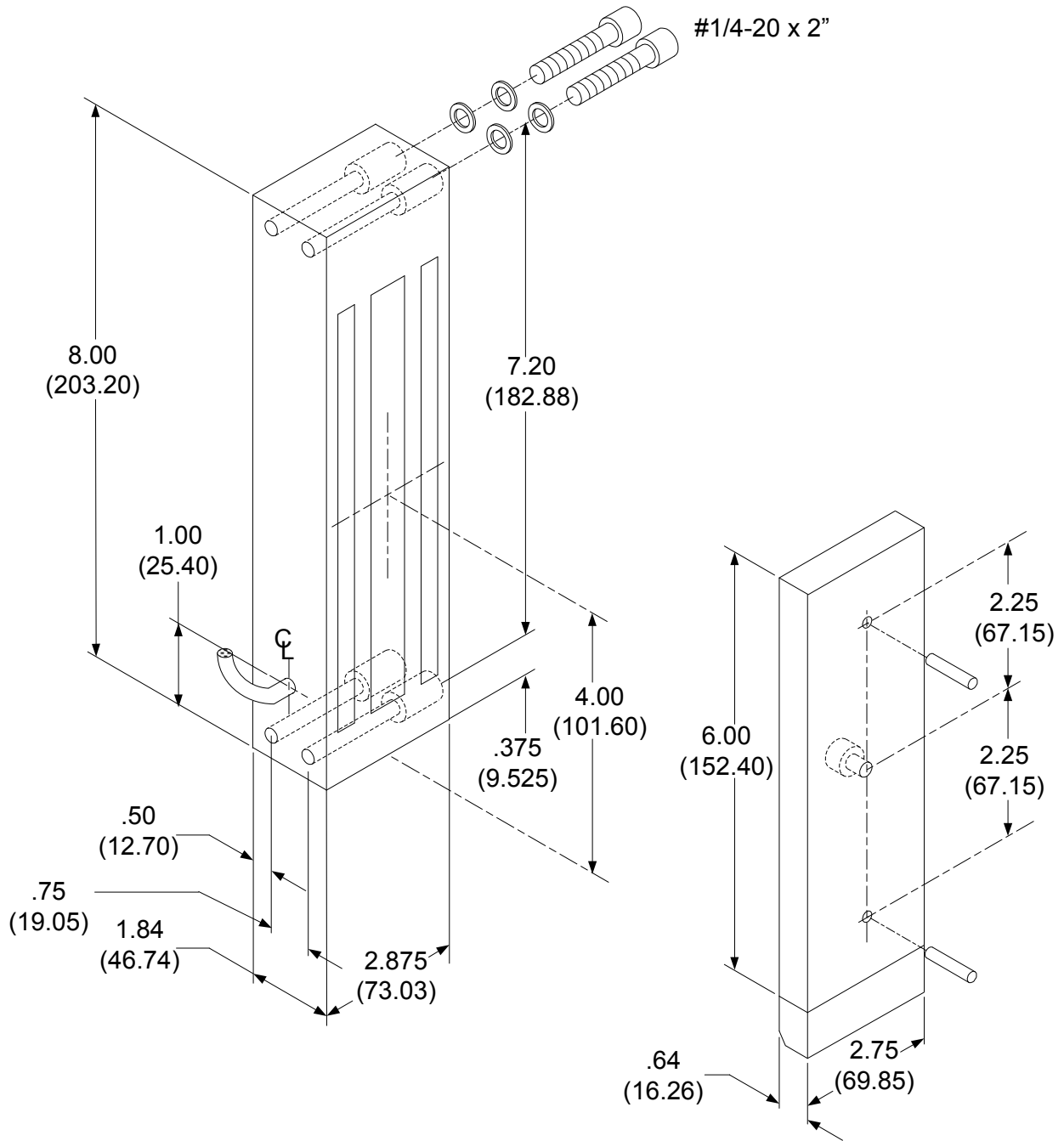
5. Install magnet onto the header with the magnetic face towards the door side of the stop. Assure that the magnet and armature line up properly, then tighten down ALL mounting screws.



6. Test operation. When all is operating properly, install anti-tamper plugs over socket head screws using a soft hammer to avoid damage to the housing.



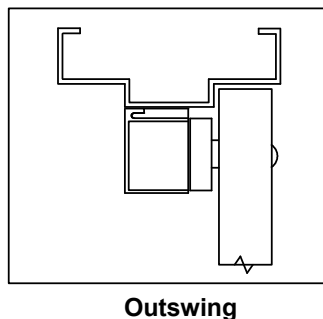
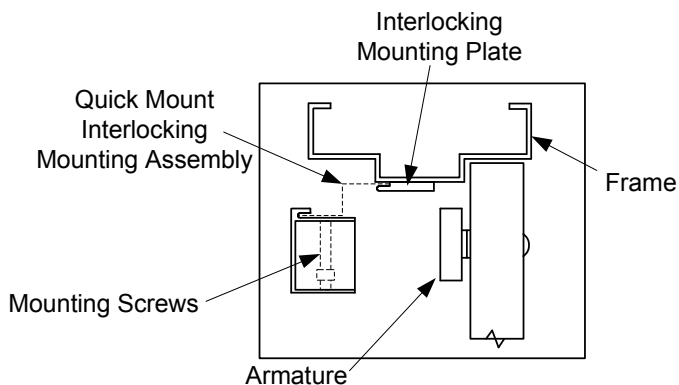
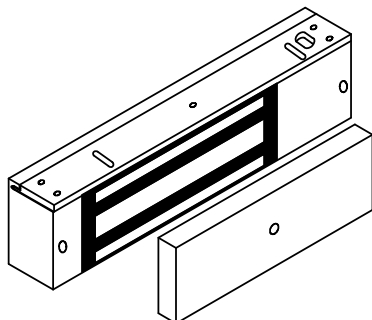
# MODEL E6200





801 Avenida Acaso, Camarillo, Ca. 93012  
 (805) 494-0622 • Fax: (805) 494-8861  
 www.sdcsecurity.com • E-mail: service@sdsecurity.com

## INSTALLATION INSTRUCTIONS E1200 SERIES MAGNETIC LOCK



### Electrical Instructions:

Use properly fused U. L. Listed Power Supply

Do not install a diode in parallel with any magnetic lock. A diode will cause a delay when releasing the door and residual magnetism to occur.

Although SDC recommends the use of a DC power supply, a transformer with an adjacent mounted full wave bridge rectifier may be used. A significant drop will occur when using a full wave bridge rectifier.

Any low voltage condition will cause erratic operation of the optional board sensor.

When using a full wave bridge rectifier all access controls and/or release contacts must be located between the EMlock and rectifier to ensure quick release.

### Electrical Specifications:

Dual Voltage 12 or 24VDC

Power Consumption .500mA@12VDC  
 250mA@24VDC

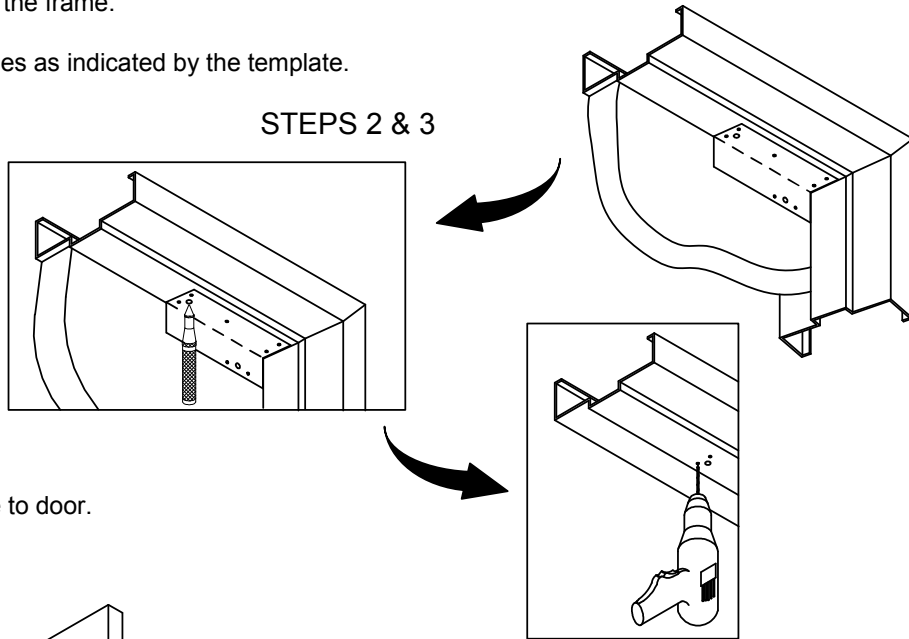
DS Door Status Sensor SPDT, 500mA@30VDC  
 LS Lock Status Sensor SPDT, 2A@30VDC



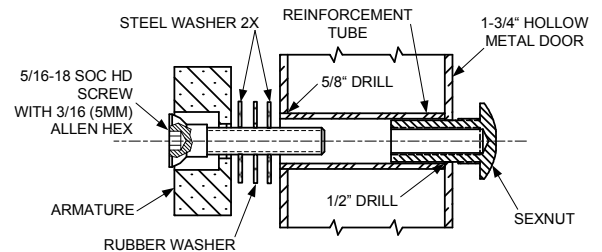
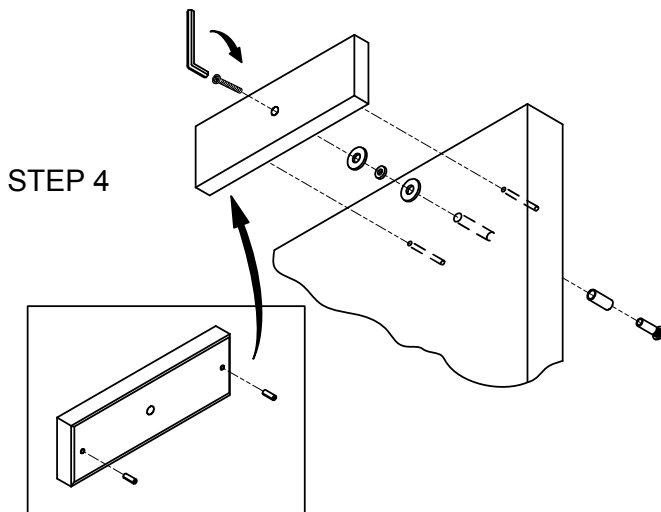
Any suggestions or comments to this instruction or product are welcome. Please contact us through our website or email engineer@sdsecurity.com

1. Inspect the frame header to determine if mounting accessories are required (refer to page 4).
2. Fold template as indicated on dotted line. For single doors locate template against the door and header on the lock jamb side of the frame.
3. Mark and drill holes as indicated by the template.

STEPS 2 & 3



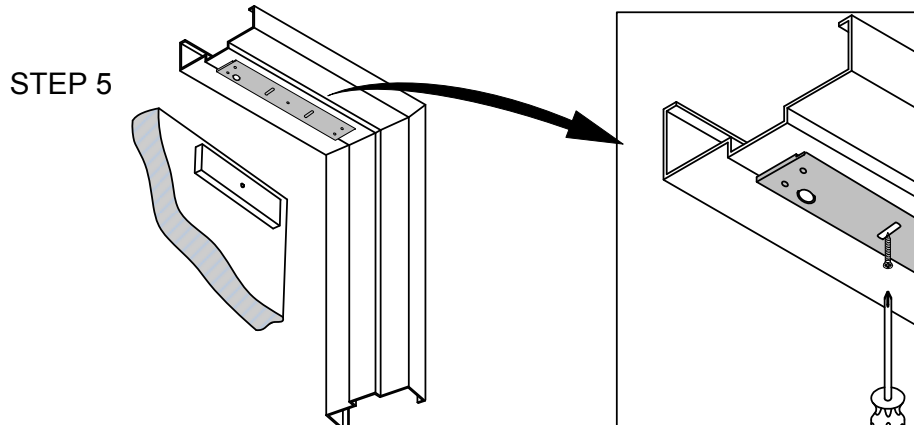
4. Mount armature to door.



**HOLLOW METAL DOOR**

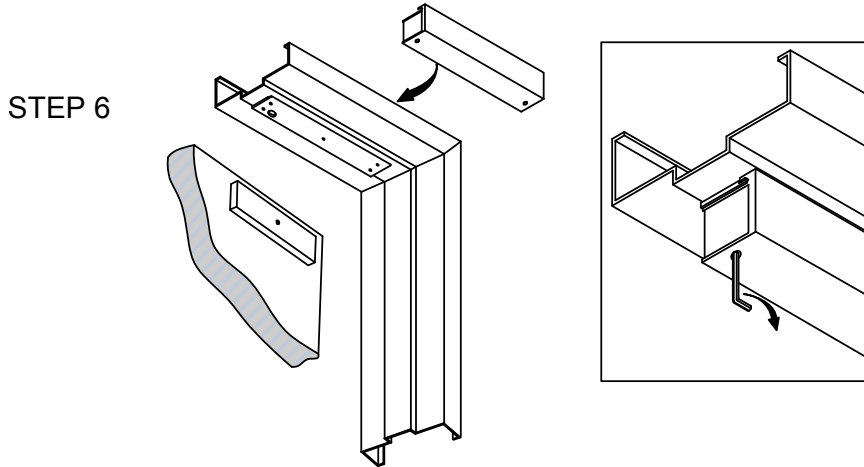
From Sexnut side of door, drill exactly 1/2" hole thru one metal thickness only. From Armature side of door, drill 5/8" hole to insert reinforcement tube. Press in sexnut and reinforcement tube all the way and mount armature to door using hardware provided.

5. Install magnet onto the header with the magnetic stripes towards the door side of the stop. Assure that the magnet and armature line up properly, then tighten down ALL mounting screws.

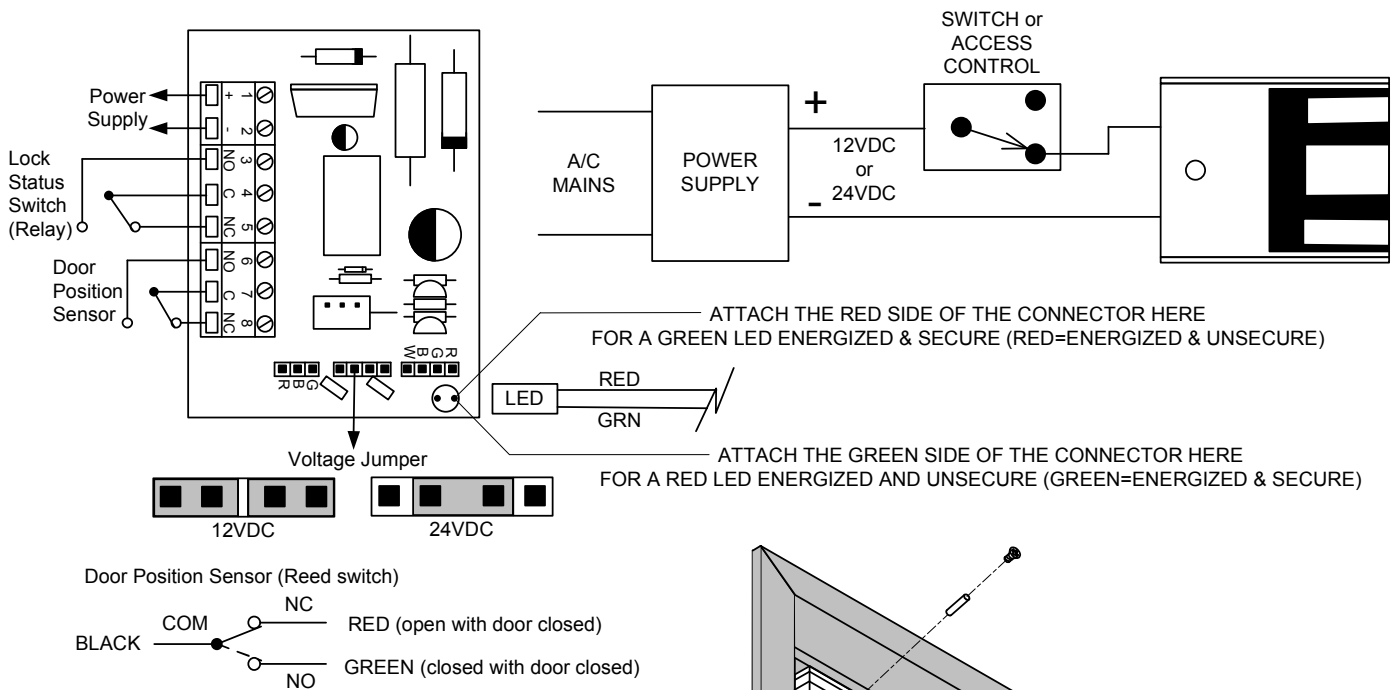


- Holding the magnet housing at each end, engage the entire length of the interlock detail, by pushing towards the door. Tap with a soft hammer to ensure proper alignment and engagement.

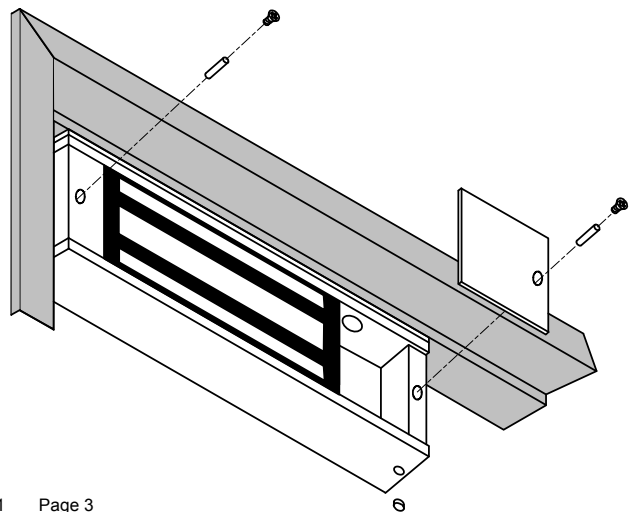
**CAUTION: The lock body must be held in place until secured with mounting screws.** Secure socket head screws provided inside the housing at each end. Start screws into threads carefully to avoid stripping the threads. Check alignment and tighten screws. Pull wires through frame, mounting plate and magnet housing



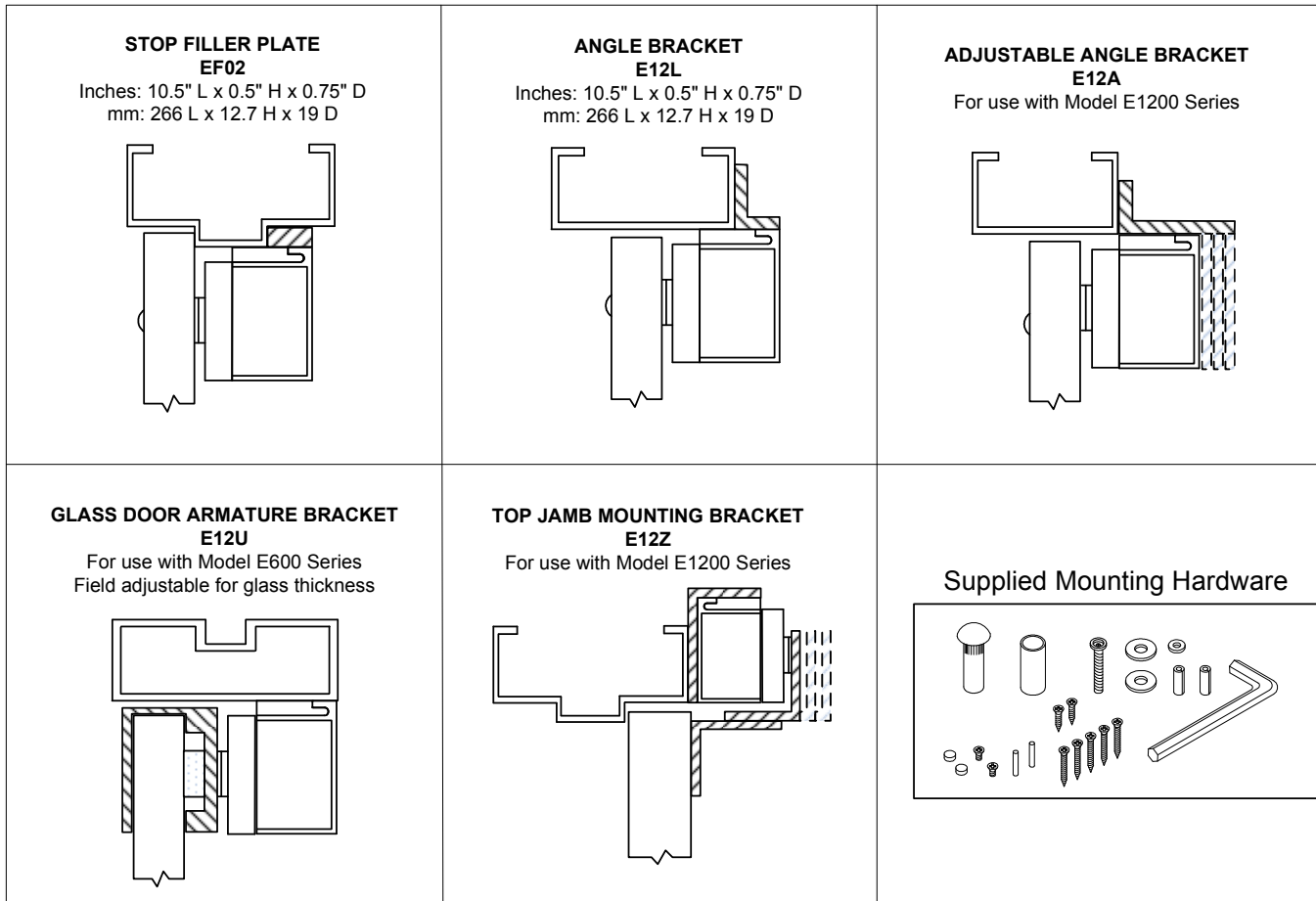
- Select jumper position for 12VDC or 24VDC. Connect power to magnetic lock.



- Test operation. When all is operating properly, tighten all screws as shown. Install security pins and screws as shown. Install anti-tamper plugs over socket head screws using a soft hammer to avoid damage to the housing.



## MOUNTING ACCESSORIES:



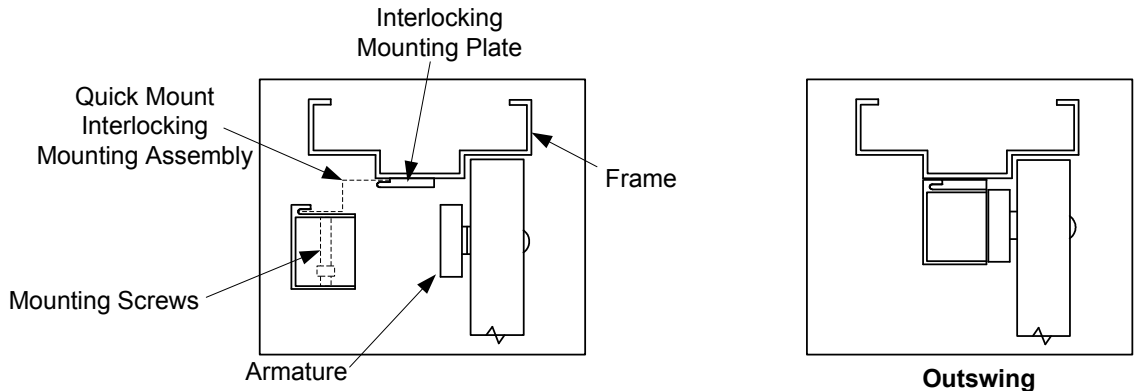
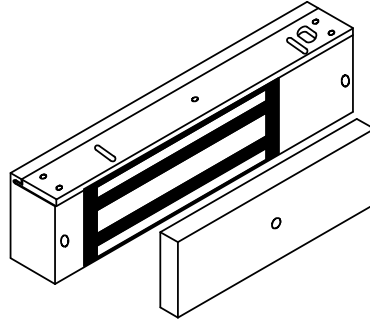
### To maintain surface plating from corrosion:

- Do not touch the lock face with your hands.
- Clean lock face with Scotch-Brite pad by 3M (do not use sandpaper).
- Apply a thin film of rust inhibitor (LPS-3) on lock face.
- Repeat application on armature plate.



## INSTALLATION INSTRUCTIONS E600 SERIES MAGNETIC LOCK

The E600 Series magnetic lock is mounted to the underside of the header, on the stop side of the door. An inswing mounting kit (optional) can be used when mounting on the hinge side of the door.



### Electrical Instructions:

Use properly fused U. L. Listed Power Supply

Do not install a diode in parallel with any magnetic lock. A diode will cause a delay when releasing the door and residual magnetism to occur.

Although SDC recommends the use of a DC power supply, a transformer with an adjacent mounted full wave bridge rectifier may be used. A significant drop will occur when using a full wave bridge rectifier.

Any low voltage condition will cause erratic operation of the optional board sensor.

When using a full wave bridge rectifier all access controls and/or release contacts must be located between the magnetic lock and rectifier to ensure quick release.

### Electrical Specifications:

Dual Voltage 12 or 24VDC

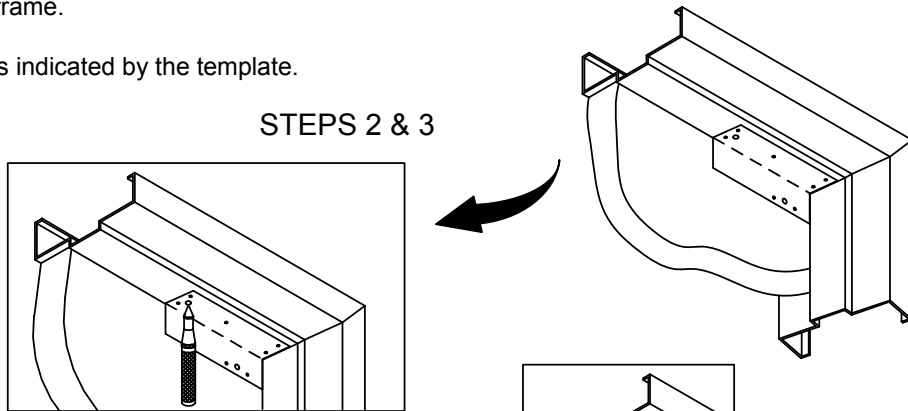
Power Consumption 500mA@12VDC  
 250mA@24VDC

DS Door Status Sensor SPDT, 500mA@30VDC  
 LS Lock Status Sensor SPDT, 2A@30VDC

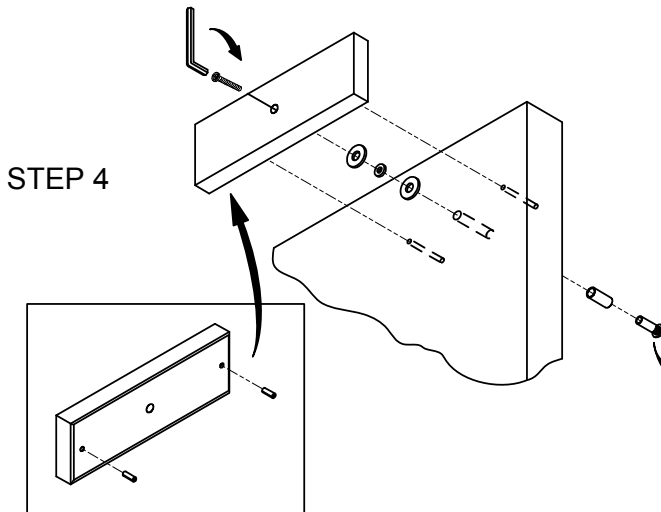


1. Inspect the frame header to determine if mounting accessories are required (refer to page 4).
2. Fold template as indicated on dotted line. For single doors locate template against the door and header on the lock jamb side of the frame.
3. Mark and drill holes as indicated by the template.

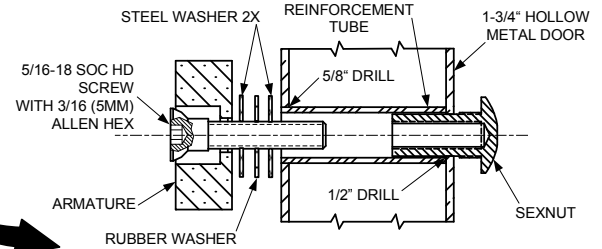
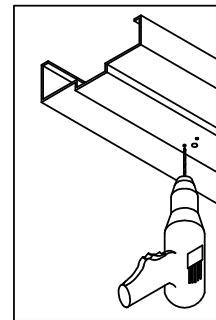
STEPS 2 & 3



4. Mount armature to door.



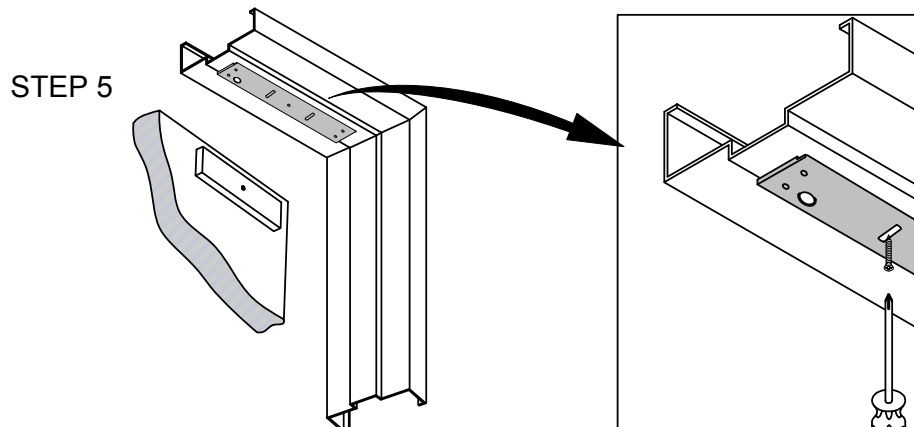
STEP 4



**HOLLOW METAL DOOR**

From Sexnut side of door, drill exactly 1/2" hole thru one metal thickness only. From Armature side of door, drill 5/8" hole to insert reinforcement tube. Press in sexnut and reinforcement tube all the way and mount armature to door using hardware provided.

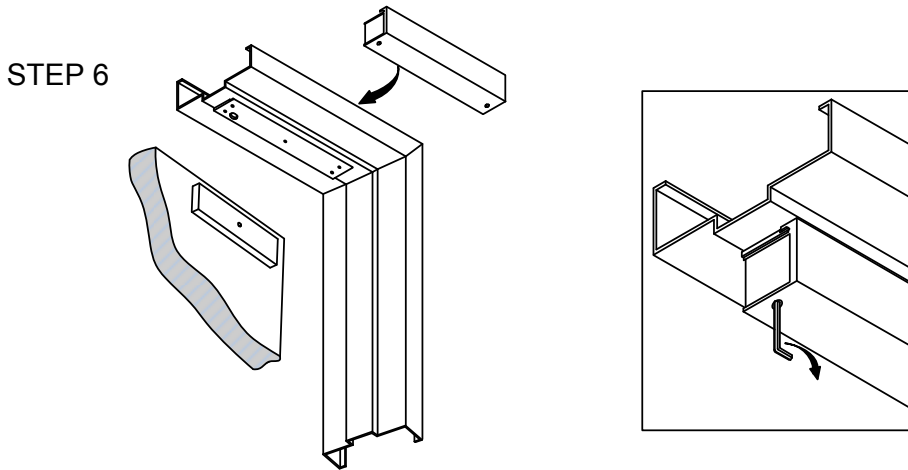
5. Install mounting plate to header with the interlock detail away from the door side of the stop. Loosely fasten screws through adjustment slot as shown. Assure that the mounting plate and armature line up properly, then tighten down ALL mounting screws.



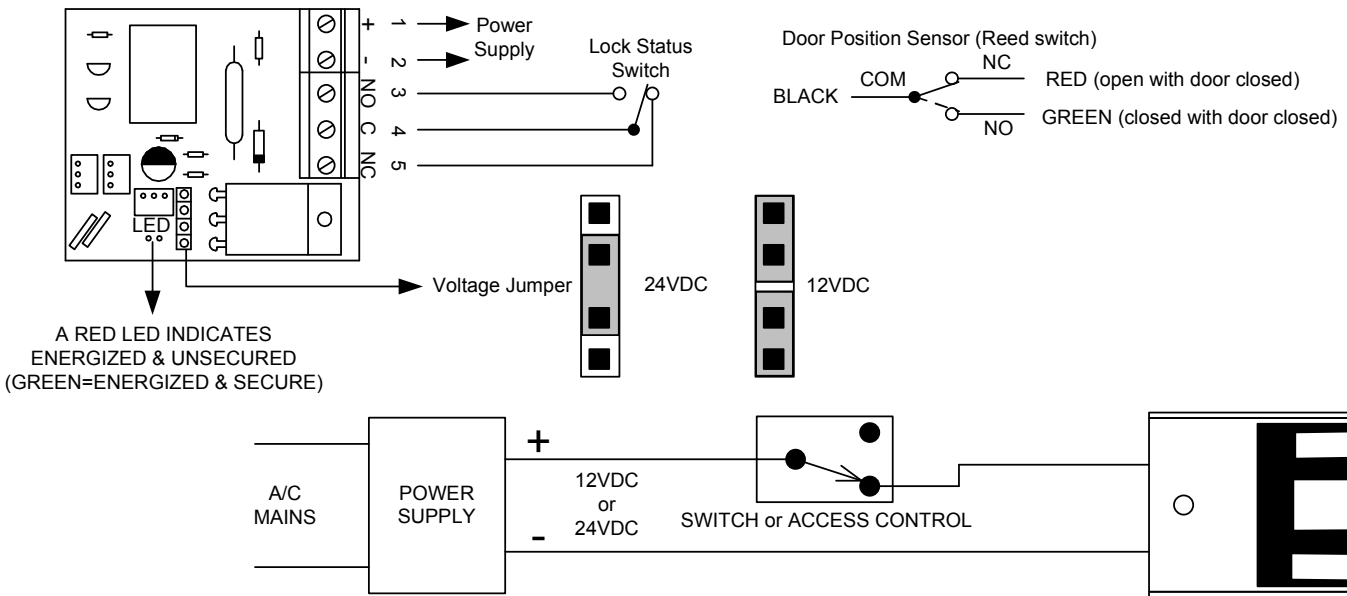
STEP 5

6. Holding the magnet housing at each end, engage the entire length of the interlock detail, by pushing towards the door. Tap with a soft hammer to ensure proper alignment and engagement.

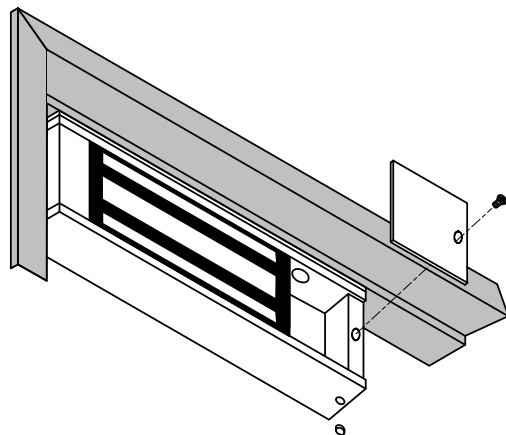
**CAUTION: The lock body must be held in place until secured with mounting screws.** Secure socket head screws provided inside the housing at each end. Start screws into threads carefully to avoid stripping the threads. Check alignment and tighten screws. Pull wires through frame, mounting plate and magnet housing



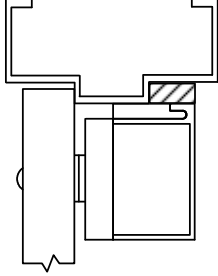
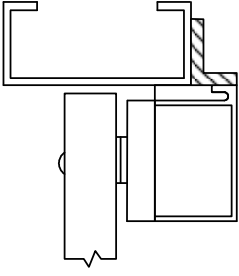
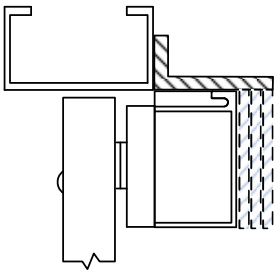
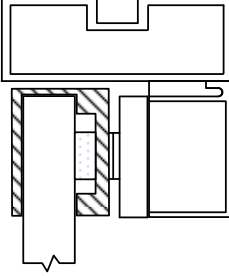
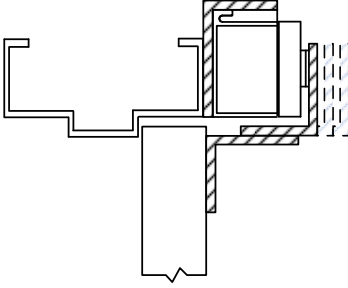
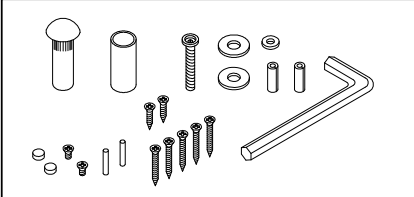
7. Select jumper position for 12VDC or 24VDC. Connect power to magnetic lock.



8. Test operation. When all is operating properly, tighten all screws as shown. Install anti-tamper plugs over socket head screws using a soft hammer to avoid damage to the housing.



## MOUNTING ACCESSORIES:

<p><b>STOP FILLER PLATE</b> <b>EF02</b> Inches: 10.5" L x 0.5" H x 0.75" D mm: 266 L x 12.7 H x 19 D <b>May be field cut for use with E600</b></p> 	<p><b>ANGLE BRACKET</b> <b>E12L</b> Inches: 10.5" L x 0.5" H x 0.75" D mm: 266 L x 12.7 H x 19 D <b>May be field cut for use with E600</b></p> 	<p><b>ADJUSTABLE ANGLE BRACKET</b> <b>E6A</b> For use with Model E600 Series</p> 
<p><b>GLASS DOOR ARMATURE BRACKET</b> <b>E6U</b> For use with Model E600 Series Field adjustable for glass thickness</p> 	<p><b>TOP JAMB MOUNTING BRACKET</b> <b>E6Z</b> For use with Model E600 Series</p> 	<p><b>Supplied Mounting Hardware</b></p> 

### To maintain surface plating from corrosion:

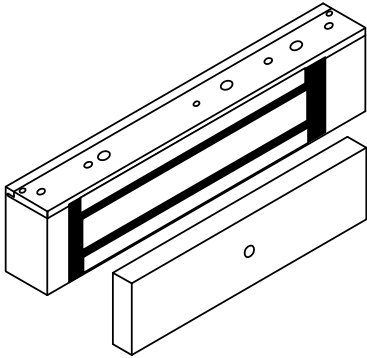
- Do not touch the lock face with your hands.
- Clean lock face with Scotch-Brite pad by 3M (do not use sandpaper).
- Apply a thin film of rust inhibitor (LPS-3) on lock face.
- Repeat application on armature plate.



801 Avenida Acaso, Camarillo, Ca. 93012 • (805) 494-0622 •  
www.sdcsecurity.com • E-mail: service@sdsecurity.com

### INSTALLATION INSTRUCTIONS E300 SERIES MAGNETIC CABINET/DISPLAY CASE LOCK

The E300 Series magnetic lock is mounted to the underside of the cabinet housing or vertically inside the cabinet.



#### Electrical Specifications:

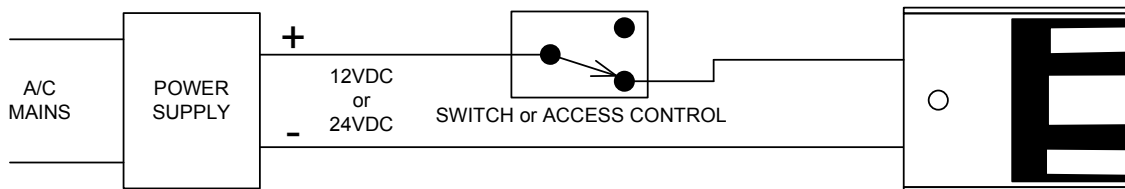
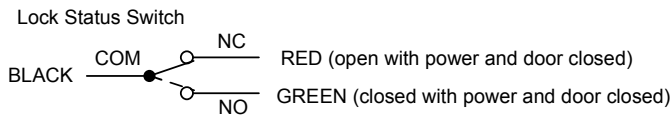
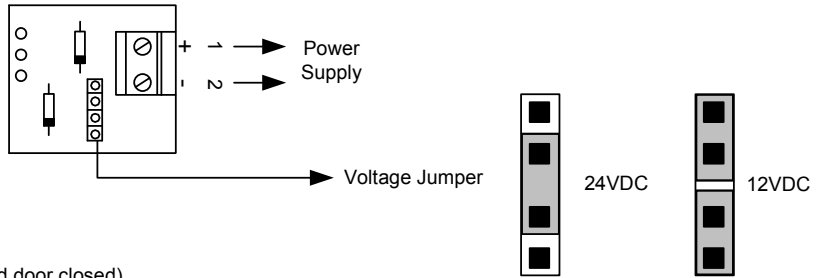
Dual Voltage 12 or 24VDC

Power Consumption 360mA@12VDC  
180mA@24VDC

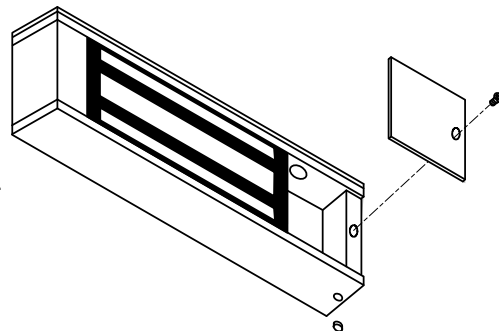
LS Lock Status Sensor SPDT, 250mA@30VDC

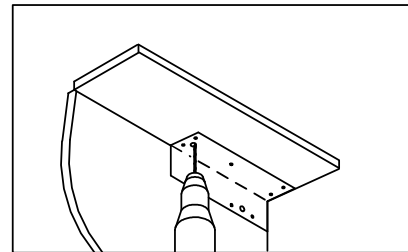
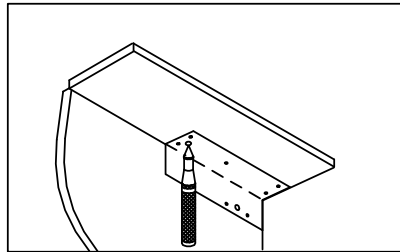
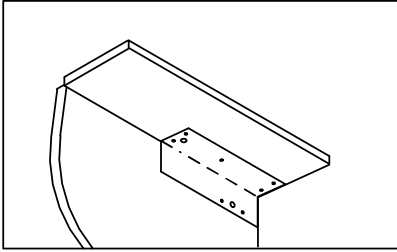


Select jumper position for 12VDC or 24VDC. Connect power to magnetic lock.



Test operation. After verifying proper operation, tighten all screws as shown. Install anti-tamper plugs over socket screws using a soft hammer to avoid damage to the housing.



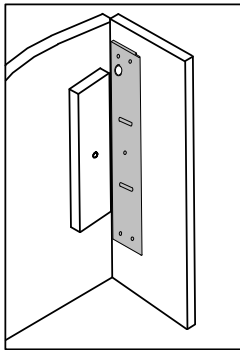
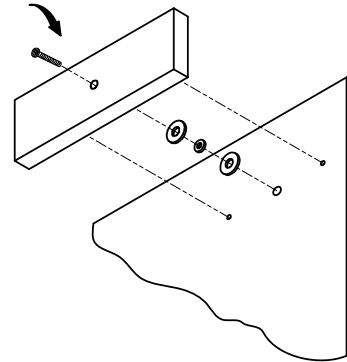


**STEP 1**

- FOLD TEMPLATE ALONG DOTTED LINE.
- PLACE TEMPLATE AGAINST CABINET DOOR AND FRAME.
- DRILL HOLES AS INDICATED ON TEMPLATE.

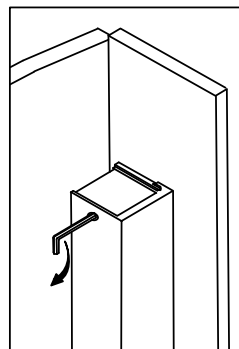
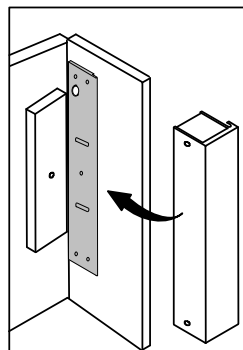
**STEP 2**

- MOUNT THE ARMATURE PLATE TO DOOR USING (1) RUBBER WASHER SANDWICHED BETWEEN (2) STEEL WASHERS (THE RUBBER WASHER AND (2) STEEL WASHERS ARE INSTALLED ON THE MOUNTING BOLT BETWEEN THE ARMATURE PLATE AND DOOR).



**STEP 3**

- INSTALL THE MOUNTING PLATE
- ADJUST THE MOUNTING PLATE SO THAT IT AND THE ARMATURE FORM A RIGHT ANGLE.
- INSTALL THE REMAINING MOUNTING SCREWS.



**STEP 4**

- INSTALL MAGNET TO MOUNTING PLATE.

**CAUTION:** *The lock body must be held in place until secured with mounting screws.* Secure socket head screws provided inside the housing at each end. Start screws into threads carefully to avoid stripping the threads. Check alignment and tighten screws. Pull wires through frame, mounting plate and magnet housing