

# SDC Security Door Controls

801 Avenida Acaso, Camarillo, Ca. 93012 • (805) 494-0622 •  
www.sdcsecurity.com • E-mail: service@sdsecurity.com



## INSTALLATION INSTRUCTIONS 55 SERIES ELECTRIC STRIKE



55-ABC Universal Strike Pak for multiple cylindrical and mortise lockset applications.



55-A for cylindrical locksets Grade 1 or equivalent.



55-B / 55-C For mortise locksets with up to a 3/4" latch



55-D / 55-E / 55-F for mortise locksets with latch and deadbolt

SDC 55 Series heavy duty electric strikes are designed for use with cylindrical and mortise locksets and mortise exit devices. Several faceplate configurations eliminate the need for centerline relocation, making them perfect for new or retrofit construction.

### FEATURES:

- Non-handed
- No Centerline relocation
- Up to 3/4" latch and 1" deadbolt
- 1/8" Horizontal alignment adjustment
- Field selectable Fail-Safe/Fail-Secure
- Field selectable 12/24VDC
- Stainless steel, corrosion resistant
- Tamper resistant heavy duty construction
- Plug-in connector
- Fits ANSI 115.1 frame prep. with face modification
- Patent pending

### OPTIONAL MONITORING OUTPUTS:

#### LCM (Keeper Deadlocked Monitor)

Signals keeper is closed and deadlocked and/or unlocked.

#### LBM (Latch Bolt Monitor)

Signals latch is extended into strike and/or retracted.

#### DBM (Deadbolt Monitor)

Signals deadbolt is extended into strike and /or retracted.



Warnock Hersey Tested according to:  
UL 10C, 3 Hr Fire Rated (Fail-Secure only).  
UL Tested according to:  
UL 1034 Burglary-Resistant

### INSTALLATION

1. Verify lock compatibility, refer to **page 2** and **Fig. 6, page 4**.
2. For proper frame preparation, refer to template drawings, **Fig. 4 & 5, page 4**.
2. Factory supplied in Failsecure mode. For Failsafe mode refer to **Fig. 2, page 3**
3. Determine minimum wire gauge required. See wire gauge chart below.
4. **CAUTION!** Before connecting power wires check for proper operating voltage at opening with a volt meter. Voltage must be within +/- 10% of strike operating voltage for proper operation.
5. Configure strike for 12 or 24VDC operation. Refer to pigtail power connector wiring in **Fig. 1, Page 3**. Connect wires to power source.
6. To install the strike into the frame opening:
  - A) Position the wiring either down or up or toward the back of the hollow metal frame. Make sure wires are completely clear of strike, so they are not pinched when mounting strike in the frame.
  - B) Insert mounting screws through the faceplate and secure into mounting tabs.
7. After installation check horizontal alignment. There should be 1/32" allowable movement when the door is pulled toward the keeper.
8. **ALIGNMENT ADJUSTMENT:** Loosen mounting screws, shift strike body behind faceplate horizontally as shown in **Fig. 3A, page 3**, then tighten mounting screws.
9. For excessive horizontal alignment issues, remove shim filler bar from the keeper as shown in **Fig. 3B, page 3**
10. The Electric Door Strike **MUST** be installed in such a way and in such a location so as not to impair the operation of an emergency exit or panic hardware mounted on the door.

### Strike Input - Minimum Wire Gauge Requirements

| Voltage | 100 ft | 150 ft | 200 ft | 250 ft | 300 ft |
|---------|--------|--------|--------|--------|--------|
| 12VDC   | 18 Ga  | 16 Ga  | 14 Ga  | 14 Ga  | ---    |
| 24VDC   | 18 Ga  | 18 Ga  | 18 Ga  | 16 Ga  | 16 Ga  |

Monitoring outputs: Minimum 22 Gage wire recommended

### OPERATION:

**Fail-Secure (Power-to-Unlock):** Unlocked when energized. Locked when de-energized and during power failure.

**Application:** For non fire rated and fire rated doors (exception, may not be used on stairwell doors). May not be maintained in the unlocked (energized) state when used with fire rated doors.

**Fail-Safe (Power-to-Lock):** Locked when energized. Unlocked when de-energized and during power failure.

**Application:** Non-fire rated doors only.


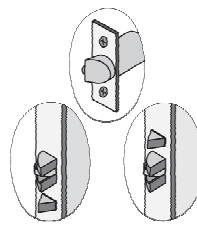

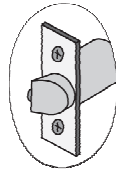

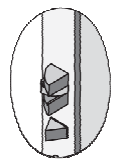

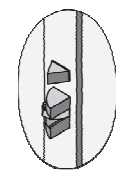

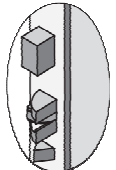

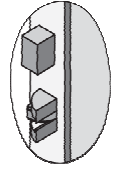

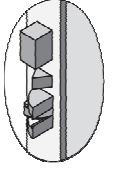
**CAUTION:** Fail-safe is **not** permitted with the UL Fire Door Accessory label.

**55 SERIES ELECTRIC STRIKE**

Strike body and faceplate(s) provided as shown below.  
Faceplates are interchangeable and may be ordered separately.

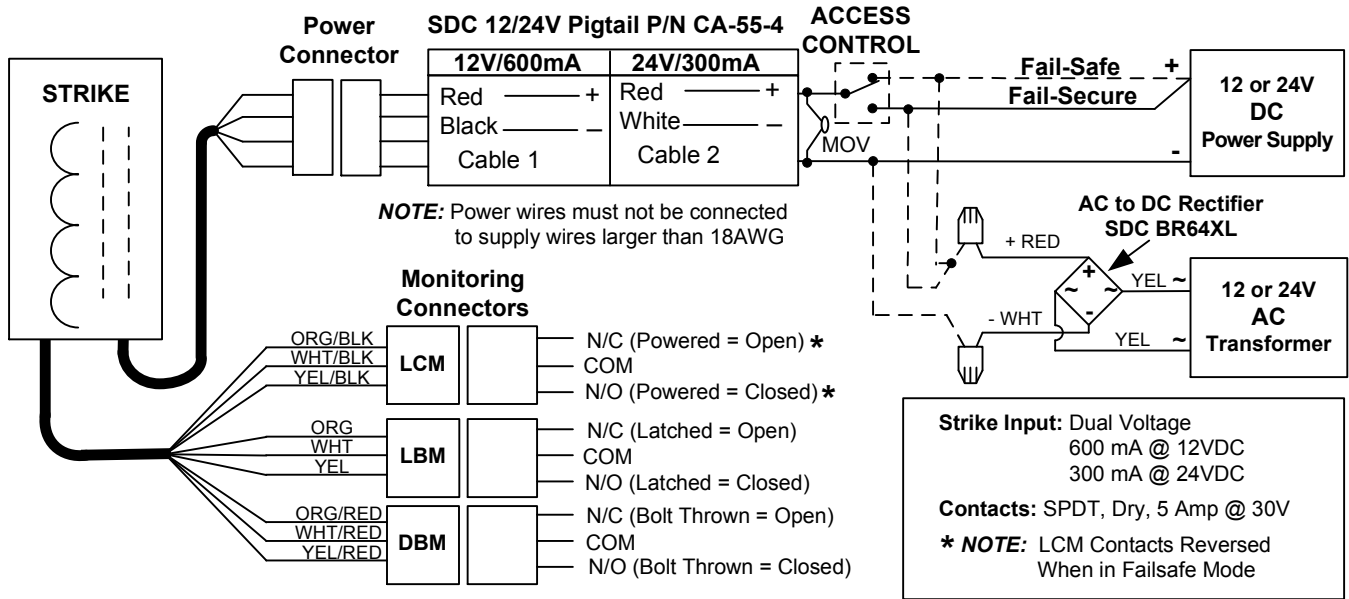
**UNIVERSAL APPLICATION KITS**

Order strike bodies and different faceplates separately to accommodate all applications.

| Model  | Lockset   | Application   | Compatible Locks   | Operation   |
|--|---|---|--|---|
| <p><b>55-ABC</b></p>  |    | <p><b>Universal Strike Pak</b></p> <ul style="list-style-type: none"> <li>• Adaptable to all 55-A, 55-B, 55C applications listed below.</li> <li>• 5 strike body and faceplates</li> <li>• For new and retrofit installation</li> <li>• No relocation of the centerline.</li> </ul> | <ul style="list-style-type: none"> <li>• Grade 1 or equivalent Latchbolt 9/16" – 3/4"</li> <li>• All mortise locksets listed with 55-B &amp; 55-C</li> </ul>   | <p>After releasing the latchbolt, the keeper returns to the locked position.</p>  |
| <p><b>55-A</b></p>    |    | <ul style="list-style-type: none"> <li>• Bored (Cylindrical) locks.</li> <li>• No relocation of the centerline.</li> </ul>  | <ul style="list-style-type: none"> <li>• Grade 1 or equivalent Latchbolt 9/16" – 3/4"</li> <li>• Adams Rite 4720 ANSI and compatible narrow stile locks.</li> </ul>  | <p>After releasing the latchbolt, the keeper returns to the locked position.</p>  |
| <p><b>55-B</b></p>    |    | <ul style="list-style-type: none"> <li>• Mortise locksets and exit devices with or without a deadlatch located <b>below</b> the latchbolt.</li> <li>• For new and retrofit installation</li> <li>• No relocation of the centerline.</li> </ul>                                      | <ul style="list-style-type: none"> <li>• Accurate</li> <li>• Arrow</li> <li>• Best</li> <li>• Corbin Russwin</li> <li>• Dorma</li> <li>• Falcon</li> <li>• Marks</li> <li>• Sargent</li> <li>• Yale</li> </ul> | <p>After releasing the latchbolt, the keeper returns to the locked position.</p>  |
| <p><b>55-C</b></p>   |  | <ul style="list-style-type: none"> <li>• Mortise locksets and exit devices with or without a deadlatch located <b>above</b> the latchbolt.</li> <li>• For new and retrofit installation</li> <li>• No relocation of the centerline.</li> </ul>                                      | <ul style="list-style-type: none"> <li>• SDC</li> <li>• Baldwin</li> <li>• Hager</li> <li>• Schlage</li> </ul>   | <p>After releasing the latchbolt, the keeper returns to the locked position.</p>  |
| <p><b>55-D</b></p>  |  | <ul style="list-style-type: none"> <li>• Mortise locksets with a deadbolt and a deadlatch located <b>below</b> the latchbolt.</li> <li>• Deadbolt will not release.</li> <li>• For new and retrofit installation</li> <li>• No relocation of the centerline.</li> </ul>             | <ul style="list-style-type: none"> <li>• Accurate</li> <li>• Arrow</li> <li>• Best</li> <li>• Corbin Russwin</li> <li>• Dorma</li> <li>• Falcon</li> <li>• Marks</li> <li>• Sargent</li> <li>• Yale</li> </ul> | <p>When the deadbolt is projected manually, the strike will not release. When the deadbolt is retracted, access is accomplished by electrically releasing the keeper.</p> |
| <p><b>55-E</b></p>  |  | <ul style="list-style-type: none"> <li>• Mortise lockset with a deadbolt.</li> <li>• Deadbolt will not release.</li> <li>• For new and retrofit installation</li> <li>• No relocation of the centerline.</li> </ul>   | <ul style="list-style-type: none"> <li>• Baldwin</li> </ul>  | <p>When the deadbolt is projected manually, the strike will not release. When the deadbolt is retracted, access is accomplished by electrically releasing the keeper.</p> |
| <p><b>55-F</b></p>  |  | <ul style="list-style-type: none"> <li>• Mortise locksets with a deadbolt and a deadlatch located <b>above</b> the latchbolt.</li> <li>• For new and retrofit installation</li> <li>• Deadbolt will not release.</li> </ul>   | <ul style="list-style-type: none"> <li>• SDC</li> <li>• Schlage</li> <li>• Hager</li> </ul>  | <p>When the deadbolt is projected manually, the strike will not release. When the deadbolt is retracted, access is accomplished by electrically releasing the keeper.</p> |

**FIG. 1**

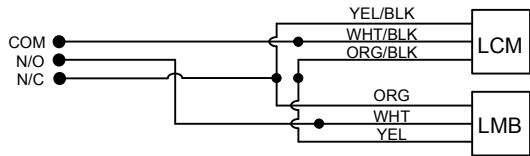
**WIRE DIAGRAM - 55 SERIES ELECTRIC STRIKE**



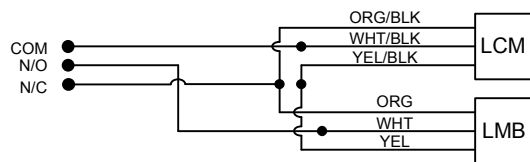
**HIGH SECURITY DOOR SECURE MONITORING: LCM & LBM Required**

LCM & LBM wired in series indicates door is closed, latched and strike is deadlocked or door is open or unlocked

**FAIL SECURE MODE – Door Secure or Unlocked Status**

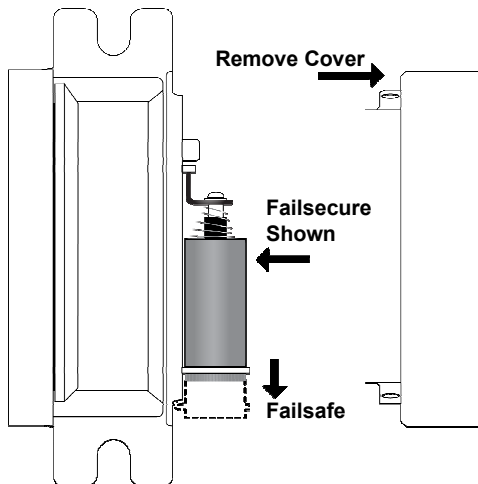


**FAIL SAFE MODE – Door Secure or Unlocked Status**



**FIG. 2 FIELD REVERSIBLE FAILSAFE / FAILSECURE**

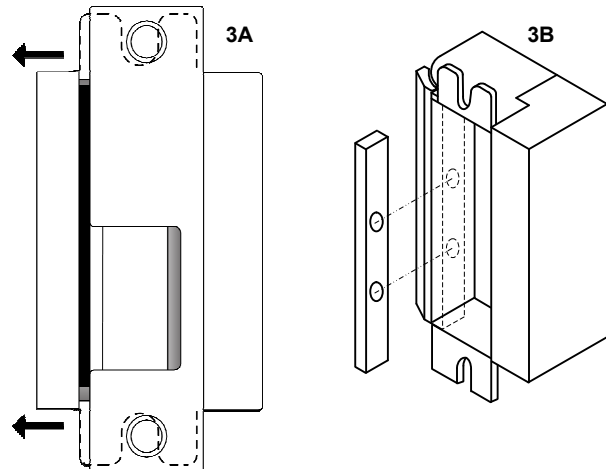
**Failsecure Mode:** Factory supplied, Failsecure  
**Failsafe Mode:** Remove cover, push solenoid toward end of strike as shown below.



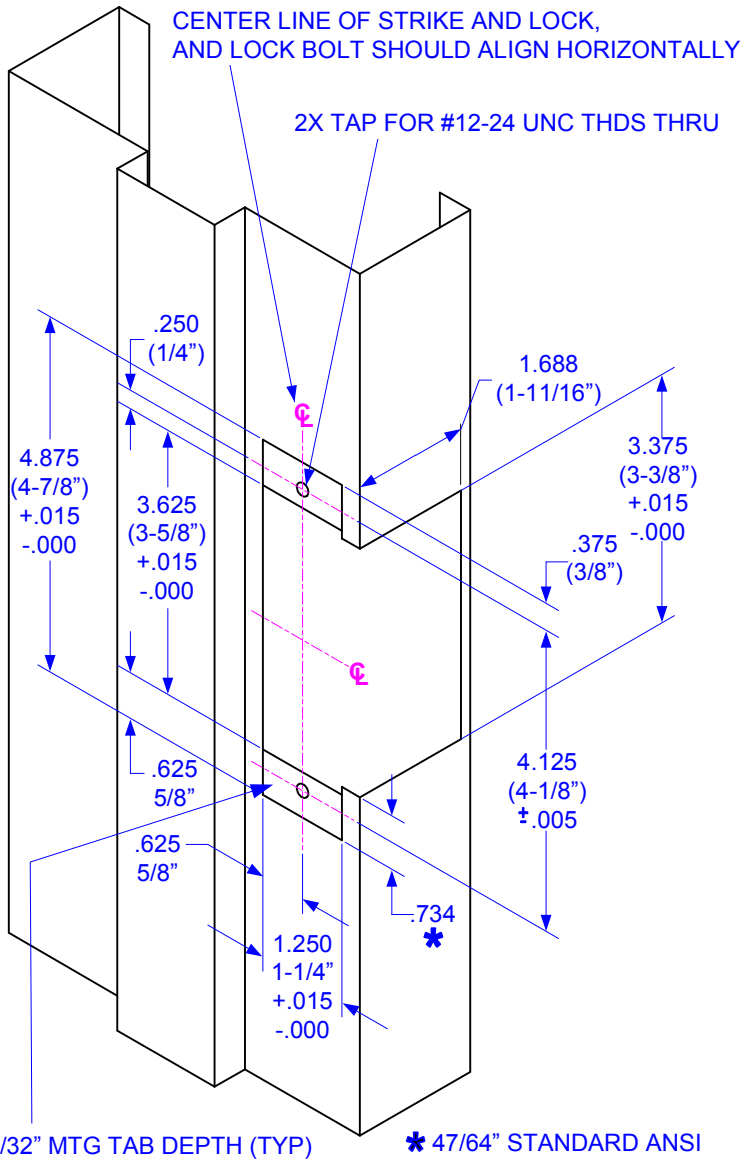
**FIG. 3 HORIZONTAL ALIGNMENT ADJUSTMENT**

**3A-Nominal Alignment:** Loosen mounting screws. Shift strike body behind the faceplate horizontally. Tighten mounting screws.

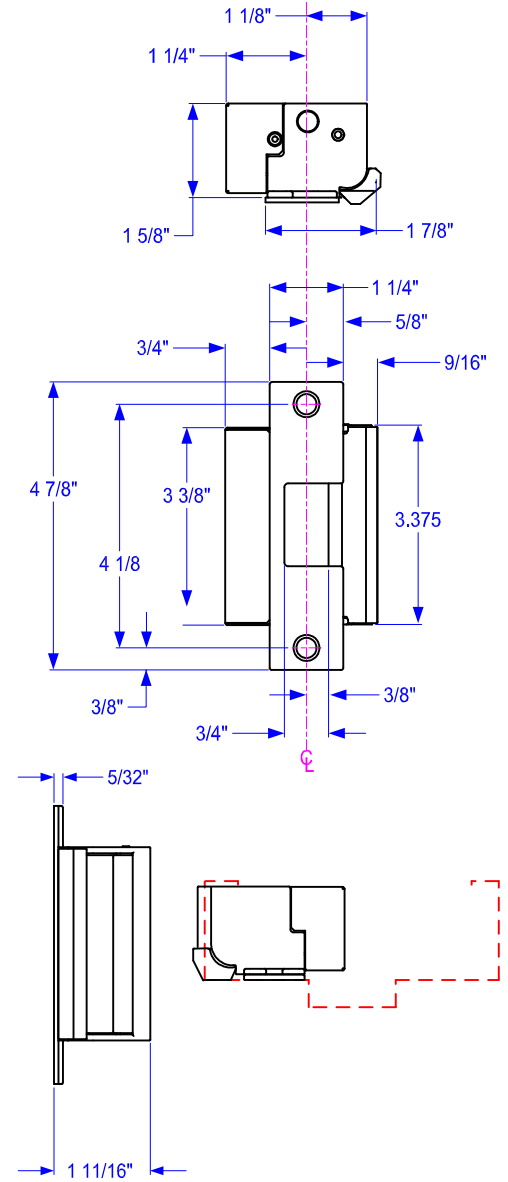
**3B-Excessive Alignment Issues:** Remove shim filler bar from keeper.



**FIG. 4 FRAME PREPARATION – 55 Electric Strike**



**FIG. 5 STRIKE DIMENSIONS**



**FIG. 6 FACE PLATES – All faceplates are interchangeable for application requirements**

