

II-M1500-12

**FOR USE WITH M1500 MORTISE LOCKS AND
ME1500 MORTISE EXIT DEVICES WITH M1550 MODIFICATION**

1550 - MORTISE LATCH RETRACTION

**MAIN LATCH RETRACTS WHEN POWER IS APPLIED. USED TO INTERFACE
WITH AUTOMATIC DOOR OPERATORS. SPECIAL DOOR PREP REQUIRED, FOR USE ON
HOLLOW METAL DOORS ONLY.**

**NOTE: CONSULT FACTORY FOR LOCK MODELS AVAILABLE.
(MODIFICATION IS NOT UL LISTED)**

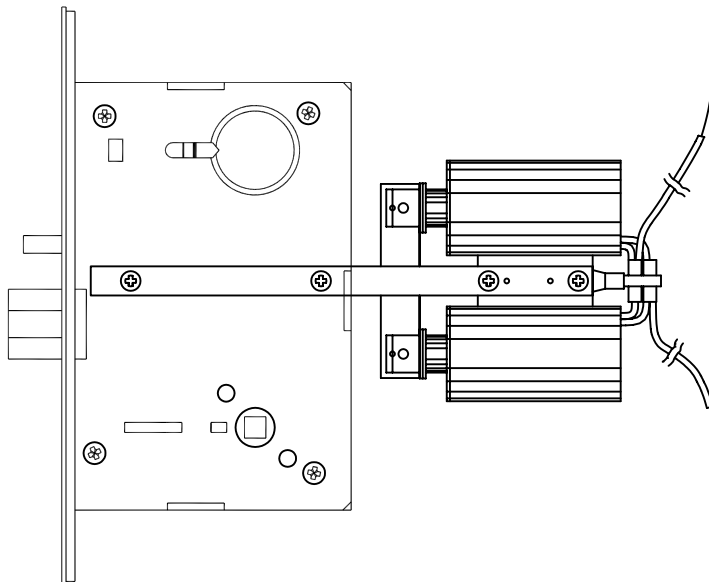
KEY FUNCTION

**WHEN KEY CYLINDERS ARE INSTALLED INTO LOCKS, THE LATCHBOLT MAY BE MOMENTARILY
RETRACTED FROM THE OUTSIDE WITH KEY EVEN IF LOCKSET IS ELECTRICALLY LOCKED.**

ELECTRICAL SPECIFICATIONS

**NOTE: ALL SOLENOIDS ARE CONTINUOUS DUTY TYPE. KEEP OPERATING VOLTAGE AT
+ / - 5% OF RATED VOLTAGE.**

<u>VOLTAGE</u>	<u>AMP</u>
24 VAC/DC	1.5 AMP
24 VDC	1.5AMP



WIRING DIAGRAM

**24 VAC/DC BLUE WIRE LEADS
(NO POLARITY)**

**24 VDC WHITE WIRE LEADS
(NO POLARITY)**

