

## II – E1500-8

### INSTALLATION INSTRUCTIONS FOR MODEL 1560 AND 1570 ELECTRIC TRIM CONTROL

#### FOR USE WITH CORBIN 955 AND YALE 626F HEAVY DUTY TRIM

#### FUNCTION DESCRIPTION

##### 1560 – FAIL SAFE

- LEVER IS LOCKED WHEN POWER IS ON (CLUTCH IS FREE WHEELING)
- WHEN POWER IS REMOVED ALLOWS ENTRY BY LEVER HANDLE.
- EXIT DEVICE ALWAYS ALLOWS FREE EGRESS.
- MECHANICAL KEY OVERRIDE ALLOWS SOLENOID CONTROL TO BE MOMENTARILY OVERRIDDEN SO THAT LEVER ENGAGES CLUTCH AND CAN BE TURNED TO ALLOW ENTRANCE. TURN KEY 90 DEGREES CLOCKWISE AND HOLD, NEXT TURN LEVER TO RETRACT DEVICE LATCH AND ENTER. NOTE KEY MUST BE RETURNED TO ORIGINAL POSITION TO BE REMOVED.

##### 1570 – FAIL SECURE

- LEVER IS LOCKED WHEN POWER IS OFF (CLUTCH IS FREE WHEELING)
- WHEN POWER IS APPLIED ALLOWS ENTRY BY LEVER HANDLE.
- EXIT DEVICE ALWAYS ALLOWS FREE EGRESS.
- MECHANICAL KEY OVERRIDE ALLOWS SOLENOID CONTROL TO BE MOMENTARILY OVERRIDDEN SO THAT LEVER ENGAGES CLUTCH AND CAN BE TURNED TO ALLOW ENTRANCE. TURN KEY 90 DEGREES CLOCKWISE AND HOLD, NEXT TURN LEVER TO RETRACT DEVICE LATCH AND ENTER. NOTE KEY MUST BE RETURNED TO ORIGINAL POSITION TO BE REMOVED.

#### ELECTRIC TRIM SOLENOID CONTROL RATING

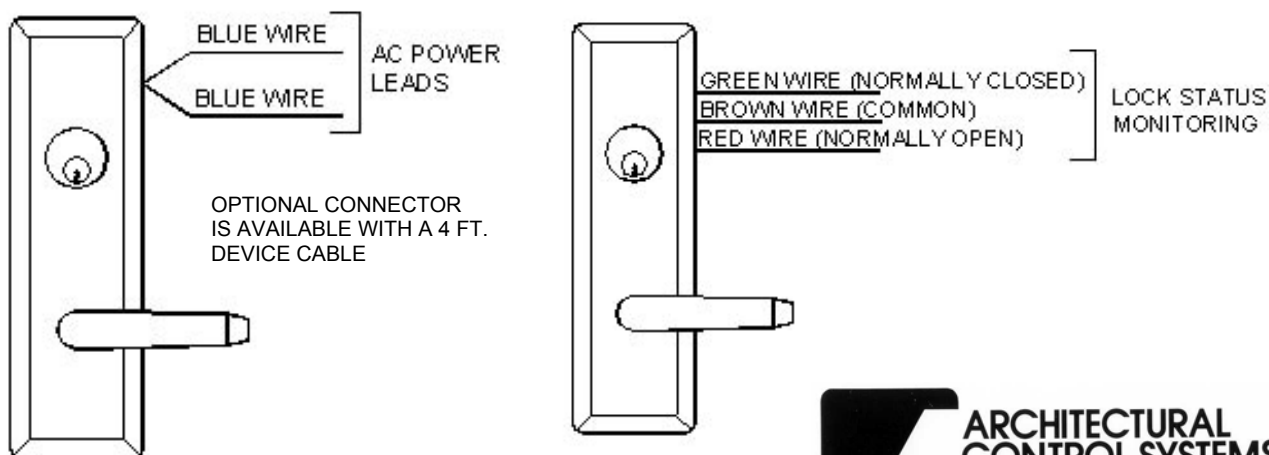
MODELS: 1560 – FAIL SAFE CONTROL (POWER LOCK)  
1570 – FAIL SECURE CONTROL (POWER UNLOCK)

.33 AMP @ 24 VOLTS AC OR DC ± 2 VOLT (CONTINUOUS DUTY)

#### MONITORING CONTACT RATING

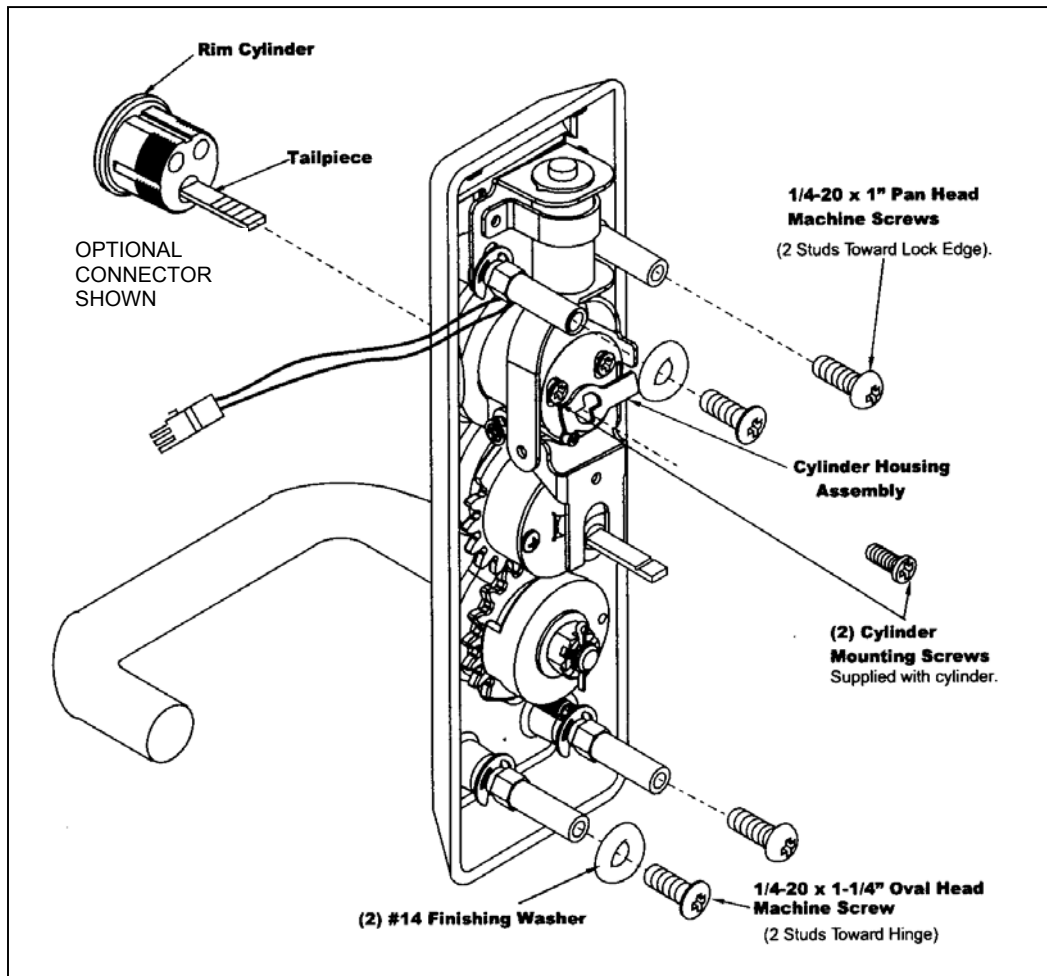
4 AMP @ 250VAC

#### WIRING DIAGRAMS



# INSTALLATION INSTRUCTIONS 1560 AND 1570 ELECTRIC TRIM CONTROL

## YALE AND CORBIN/RUSSWIN HEAVY DUTY TRIM



## RIM CYLINDER INSTALLATION

### STANDARD RIM CYLINDER SUPPLIED BY OTHERS

- INSERT RIM CYLINDER THROUGH TRIM ESCUTCHEON AND CYLINDER HOUSING ASSEMBLY. CYLINDER TAILPIECE INSERTS THROUGH CAM SLOT.
- MAKE SURE CYLINDER IS SEATED INTO RECESSED AREA OF ESCUTCHEON, THEN SECURE WITH (2) CYLINDER MOUNTING SCREWS SUPPLIED BY OTHERS.
- CUT TAILPIECE OFF TO CORRECT LENGTH. 1/16" TO 3/16" BEYOND CAM.

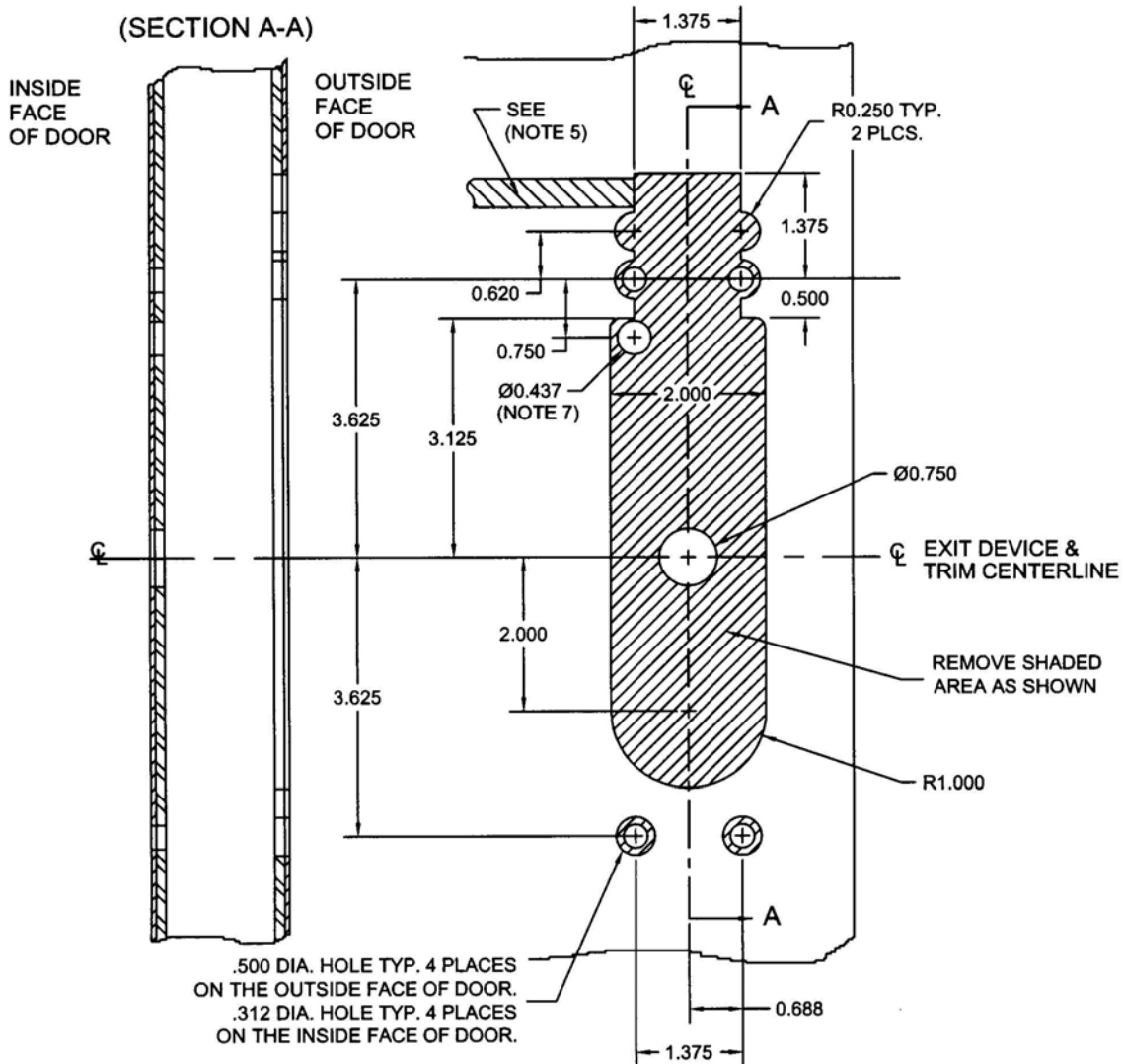
## DOOR PREPARATION

**NOTE: YOUR DOOR MAY ALREADY BE PROPERLY PREPED BY THE DOOR MANUFACTURER IF SO PROCEED TO NEXT SECTION.**

- USE MANUFACTURERS SUPPLIED DOOR PREP TEMPLATE FOR LOCATING THE VERTICAL AND HORIZONTAL CENTERLINES AND ALSO FOR MARKING THE 4 EACH MOUNTING HOLES.
- USE THE FOLLOWING TEMPLATES TO PROVIDE ADDITIONAL CUTOUTS FOR THE CLEARANCE OF THE ELECTRONICS.  
**USE TEMPLATE NO. 5013-14 FOR HOLLOW METAL DOOR PREPS.**  
**USE TEMPLATE NO. 5013-15 FOR WOOD AND COMPOSITE DOOR PREPS.**



TEMPLATE 5013-14  
 YALE AND CORBIN ELECTRIC TRIM CONTROL PREPARATION  
 FOR USE ON HOLLOW METAL TYPE DOORS



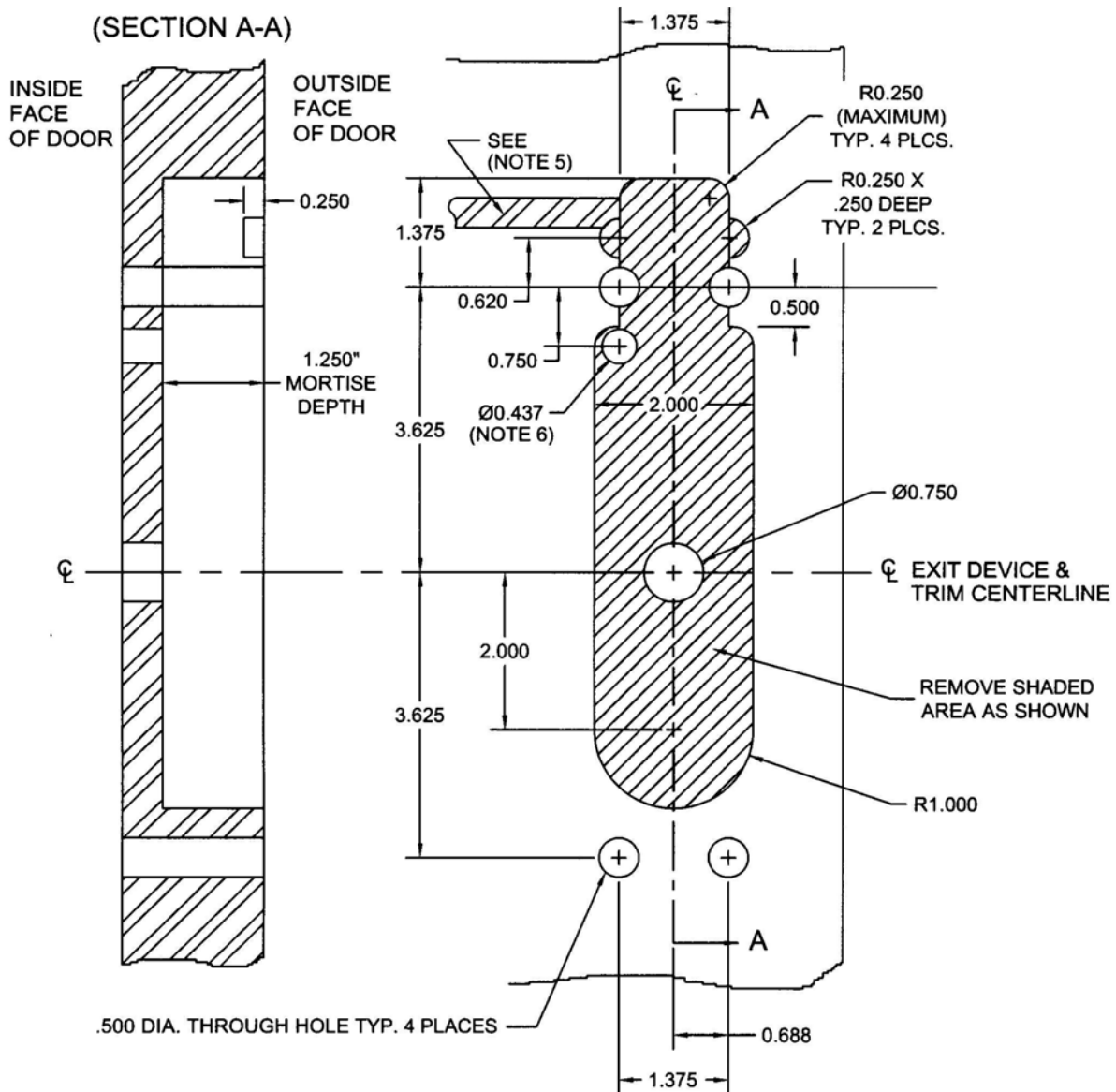
NOTES:

- 1.) TEMPLATE FOR USE WITH ELECTRIFIED TRIM MODELS 1560 & 1570. USE MANUFACTURERS DEVICE TEMPLATE FOR ADDITIONAL INFORMATION.
- 2.) DO NOT SCALE DRAWING.
- 3.) DIMENSIONS ARE SHOWN IN INCHES.
- 4.) LHR DOOR PREP SHOWN. PREPARATION IS TYPICAL FOR BOTH LHR & RHR DOOR HANDINGS.
- 5.) FOR USE ONLY WHEN PWER TRANSFER IS NOT RAN THROUGH DEVICE. DOOR FABRICATOR TO PROVIDE A 3/8" DIAMETER (MINIMUM) RACEWAY THROUGH THE DOOR TO ALLOW THE INSERTION OF ELECTRICAL WIRES RUNNING BETWEEN THE TRIM CONTROL AND ELECTRIC HINGE.
- 6.) PROVIDE ADEQUATE INTERNAL SUPPORT TO PREVENT DOOR DEFORMATION AFTER TRIM IS BOLTED TO THE DEVICE.

NOTE: FOR DOOR REINFORCEMENT INFORMATION USE YALE SECURITY INC. TEMPLATE 7400-0000.

- 7.) PROVIDE WIRE ACCESS HOLE WHEN USING EXIT DEVICE AS WIRE RACEWAY. THROUGH HOLE FOR LHR DEVICE SHOWN. LOCATE HOLE ON OPPOSITE SIDE FOR RHR DEVICES.

TEMPLATE 5013-15  
 YALE AND CORBIN ELECTRIC TRIM CONTROL PREPARATION  
 FOR USE ON WOOD OR COMPOSITE TYPE DOORS



NOTES;

- 1.) TEMPLATE FOR USE WITH ELECTRIFIED TRIM MODELS 1560 & 1570. USE MANUFACTURERS DEVICE TEMPLATE FOR ADDITIONAL INFORMATION.
- 2.) DO NOT SCALE DRAWING.
- 3.) DIMENSIONS ARE SHOWN IN INCHES.
- 4.) LHR DOOR PREP SHOWN. PREPARATION IS TYPICAL FOR BOTH LHR & RHR DOOR HANDINGS.
- 5.) FOR USE ONLY WHEN POWER TRANSFER IS NOT RAN THROUGH DEVICE DOOR FABRICATOR TO PROVIDE A 3/8" DIAMETER (MINIMUM) RACEWAY THROUGH THE DOOR TO ALLOW THE INSERTION OF ELECTRICAL WIRES RUNNING BETWEEN THE TRIM CONTROL AND ELECTRIC HINGE.
- 6.) PROVIDE WIRE ACCESS HOLE WHEN USING EXIT DEVICE AS WIRE RACEWAY. THROUGH HOLE FOR LHR DEVICE SHOWN. LOCATE HOLE ON OPPOSITE SIDE FOR RHR DEVICES.

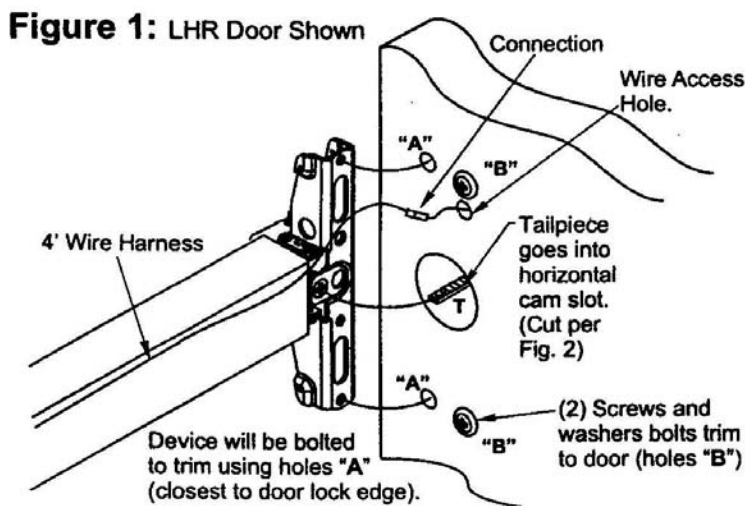
## TRIM CONTROL MOUNTING INSTRUCTIONS

- PULL WIRE THROUGH 7/16" DIA. ACCESS HOLE FOR USE WITH OPTIONAL CONNECTOR AND CABLE ASSEMBLY OR CONNECT WIRES WITH PROPER CRIMPS OR WIRE NUTS TO DOOR CABLE INSIDE OF WIRE RACEWAY.

(NOTE: MAKE SURE WIRES DO NOT INTERFERE WITH MOVEMENT OF MECHANICAL LINKAGE)

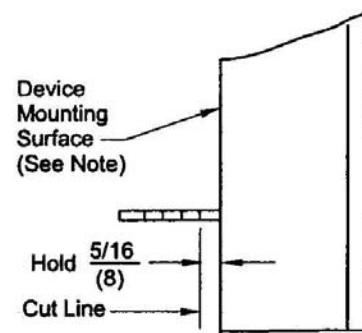
- MOUNT TRIM SECURELY WITH (2) SCREWS AND FINISHING WASHERS IN HOLES "B" OF FIGURE 1

**NOTE:** FOR SEVERE OUTDOOR ENVIRONMENTAL CONDITIONS IT IS RECOMMENDED THAT TRIM ESCUTCHEON BE SEALED WITH THIN BEAD OF SILICONE SEALANT AROUND EDGE OF HOUSING PRIOR TO MOUNTING.



**Figure 2**

Trim must be unlocked (tailpiece fully extended).



- WITH TRIM IN THE UNLOCKED POSITION CUT TAILPIECE TO 5/16" AS SHOWN ABOVE IN FIGURE 2. REMOVE ALL SHARP EDGES AND BURRS FROM END OF TAILPIECE AFTER CUTTING.

**NOTE:** FOR 1560 (FAIL SAFE) DEVICES TAILPIECE IS IN UNLOCKED POSITION WHEN NO POWER IS APPLIED. AND FOR 1570 (FAIL SECURE) DEVICES POWER MUST BE APPLIED TO DEVICE TO POSITION TAILPIECE IN UNLOCKED POSITION PRIOR TO CUTTING.

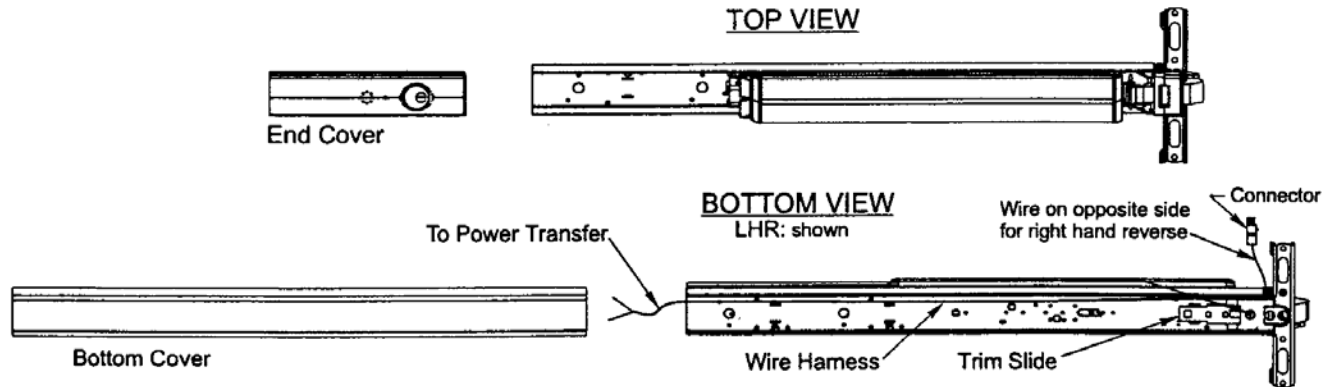
**NOTE: IF OPTIONAL CONNECTOR AND 4' FT. CABLE ASSEMBLY IS USED FOLLOW CABLE ASSEMBLY WIRING INSTRUCTIONS NEXT.**

- MOUNT DEVICE SO THAT TRIM TAILPIECE IS INSERTED INTO DEVICE CAM SLOT IN HORIZONTAL POSITION AS SHOWN ABOVE IN FIGURE 1.
- CONTINUE MOUNTING DEVICE ACCORDING TO MANUFACTURERS INSTRUCTIONS.

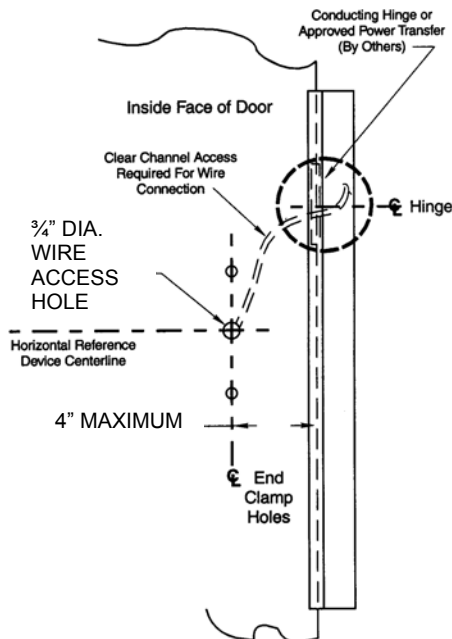
**NOTE: IF RACEWAY IS USED FOR WIRE TRANSFER PROCEED TO POWER TRANSFER HOOKUP.**

## CABLE ASSEMBLY WIRING

- REMOVE END COVER AND BOTTOM COVER FROM DEVICE SEE FIGURE 3.
- PLACE WIRE HARNESS ON THE CARRIER WITH THE CONNECTOR AT THE HEAD OF THE DEVICE. ALLOW 6" FOR CONNECTION TO TRIM CONTROL CONNECTOR, WHICH HAS BEEN PULLED THROUGH ACCESS HOLE IN DOOR.
- SECURE CABLE IN 2 PLACES WITH SELF ADHESIVE MOUNTS AND TY-WRAPS INCLUDED WITH CABLE ASSEMBLY. LOCATE TY-WRAPS SO THAT CABLE DOES NOT INTERFERE WITH TRIM SLIDE OR OTHER MOVING MECHANICAL PARTS.
- REPLACE END COVER AND BOTTOM COVER.
- MOUNT DEVICE SO THAT TRIM TAILPIECE IS INSERTED INTO DEVICE CAM SLOT IN HORIZONTAL POSITION AS SHOWN ABOVE IN FIGURE 1.
- CONNECT CABLE CONNECTOR TO TRIM CONNECTOR AND CONTINUE MOUNTING DEVICE ACCORDING TO MANUFACTURERS INSTRUCTIONS.



## POWER TRANSFER HOOKUP DIAGRAM



LOCATE AND PREPARE WIRE ACCESS HOLE TO POWER TRANSFER DEVICE AS SHOWN.



10666 GATEWAY BLVD.  
ST. LOUIS, MO 63132  
1-800-753-5558  
FAX (314) 432-2090