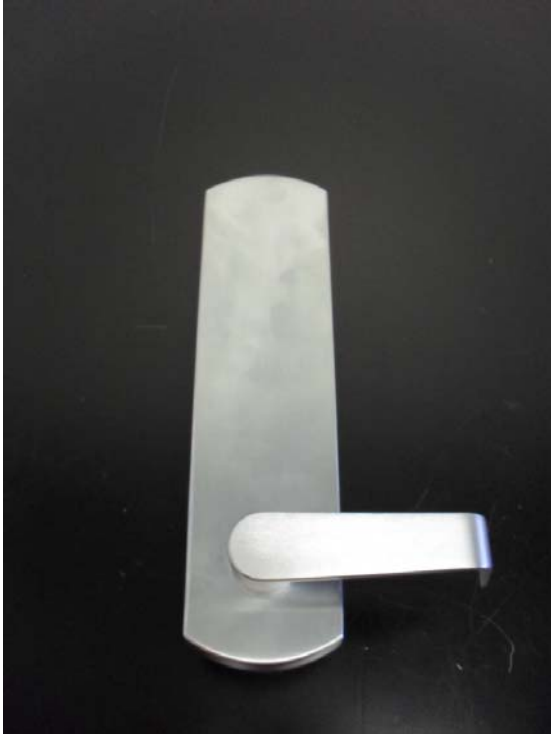


## II – E1500-20

### INSTALLATION INSTRUCTIONS FOR AUTHORIZED INGRESS (AI) MONITORED TRIM CONTROL

FOR USE WITH HAGER 45BE LEVER TRIM ON RIM AND VERTICAL ROD  
EXIT DEVICES



### FUNCTION DESCRIPTION

#### AI – AUTHORIZED INGRESS

AUTHORIZED INGRESS IS A SPDT SWITCH MOUNTED INSIDE THE EXIT DEVICE TRIM. THE AI SWITCH MONITORS THE ACTIVATION OF THE OUTSIDE TRIM “WHEN THE TRIM IS IN THE UNLOCKED POSITION ONLY”.

### ELECTRICAL SPECIFICATIONS

#### **SPDT MECHANICAL SWITCH**

(NOTE: MAINLY USED AS A DRY CONTACT MONITORING SWITCH)

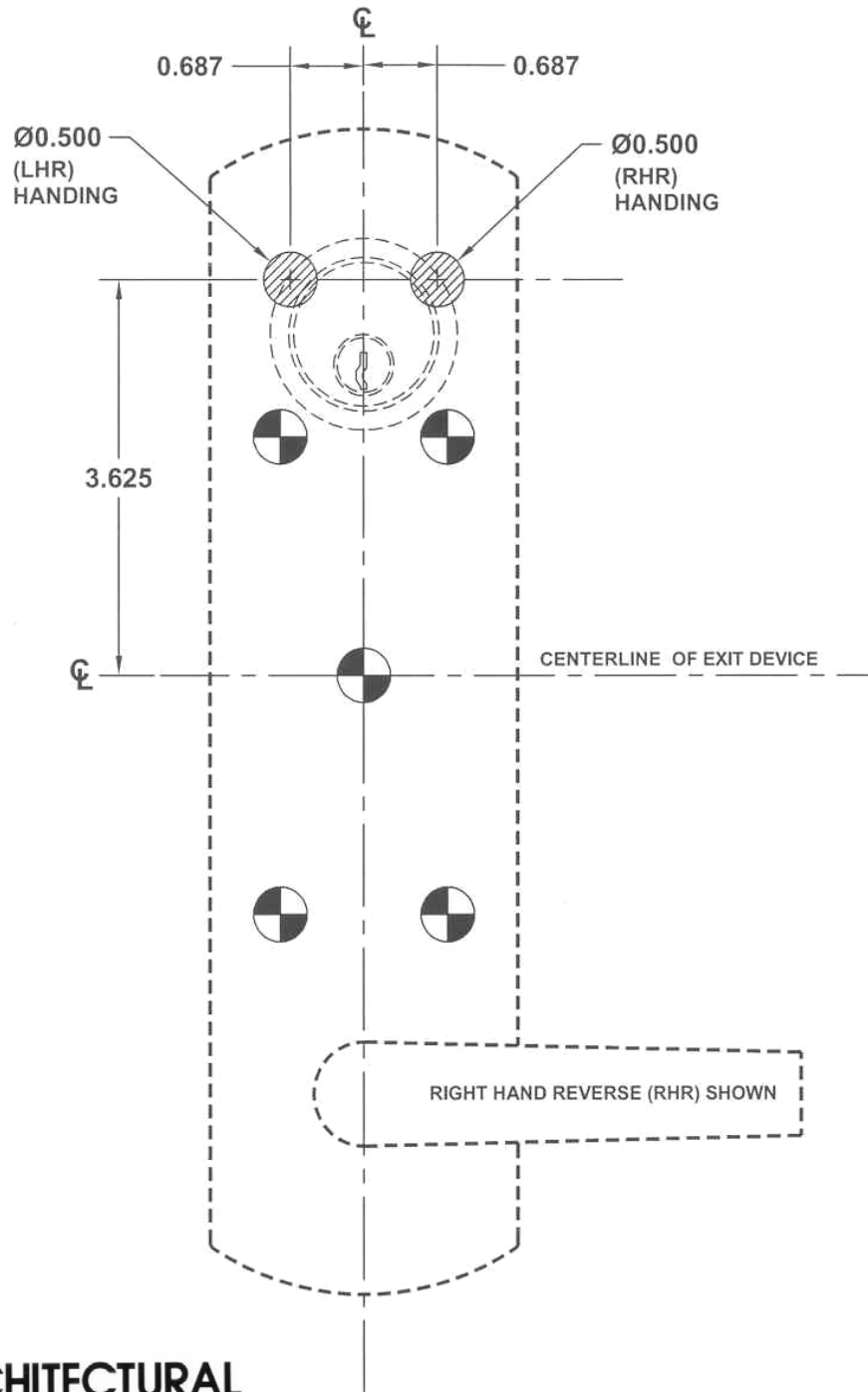
<u>VOLTAGE</u>	<u>CURRENT</u>
125 VAC	3 AMP
30 VDC	2 AMP



# AUTHORIZED INGRESS TRIM CONTROL DOOR PREPARATION

## NOTE: USE MANUFACTURERS INSTRUCTIONS AND TEMPLATES FOR BASIC PREP LOCATIONS IN DOOR

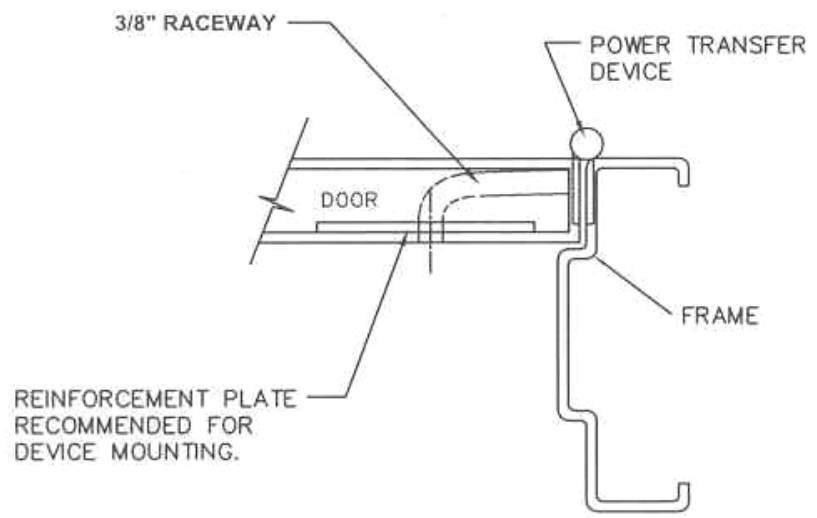
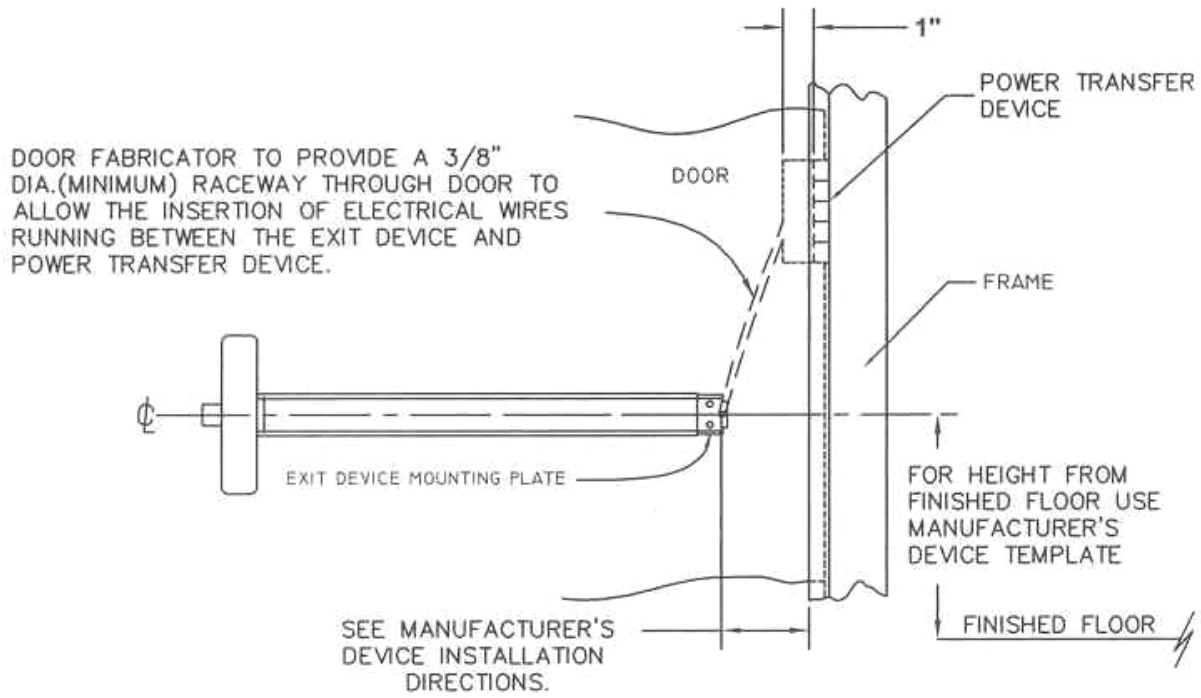
- PROVIDE ADDITIONAL .500 DIAMETER HOLE THROUGH DOOR TO ALLOW FOR WIRE ENTRY FROM ELECTRIC TRIM CONTROL.
- .500 DIAMETER HOLE THROUGH DOOR IS HANDED USE PROPER HOLE AS SHOWN.



# EXIT DEVICE DOOR PREPARATION

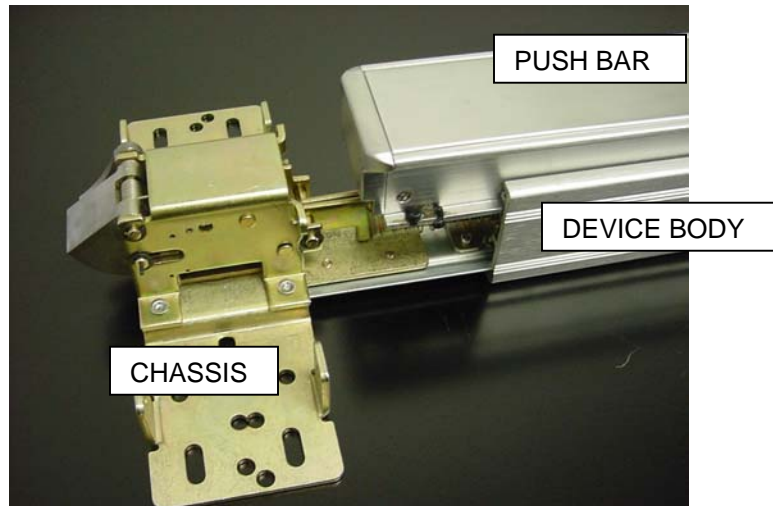
NOTE: USE MANUFACTURERS INSTRUCTIONS AND TEMPLATES FOR BASIC PREP LOCATIONS IN DOOR

- PROVIDE 3/8" DIAMETER RACEWAY FOR ELECTRIC TRIM WIRE TERMINATION AT END OF EXIT DEVICE AS SHOWN.

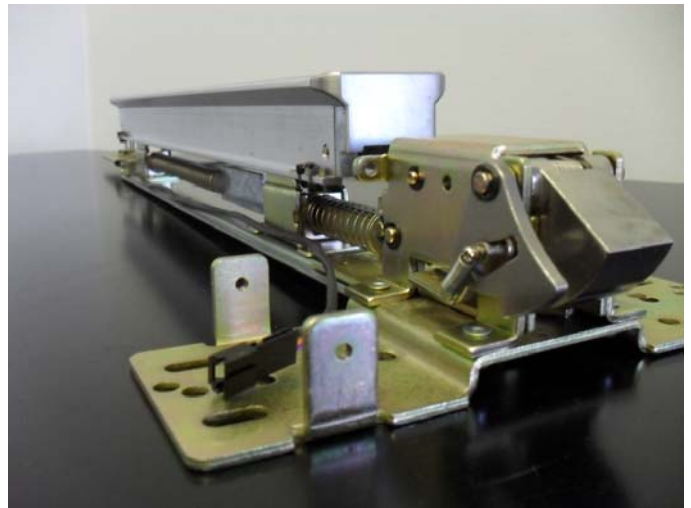
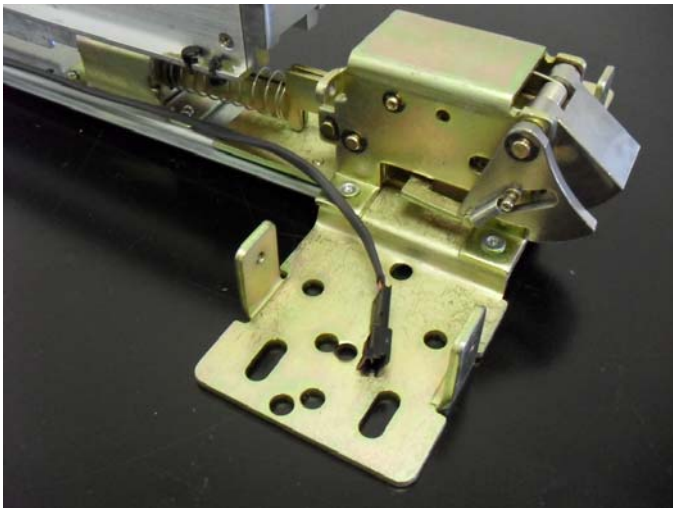


## EXIT DEVICE PREPARATION

- REMOVE 4 SCREWS FROM CHASSIS COVER AND REMOVE.
- SEPARATE CHASSIS/PUSH BAR FROM DEVICE BODY BY REMOVING 2 SCREWS LOCATED ON CHASSIS.



- AFTER CHASSIS/PUSH BAR HAS BEEN REMOVED FROM DEVICE BODY, INSERT CABLE ASSEMBLY ALONG THE SIDE OF PUSH BAR. MAKE SURE THAT CONNECTOR END IS LOCATED ON THE CHASSIS SIDE.



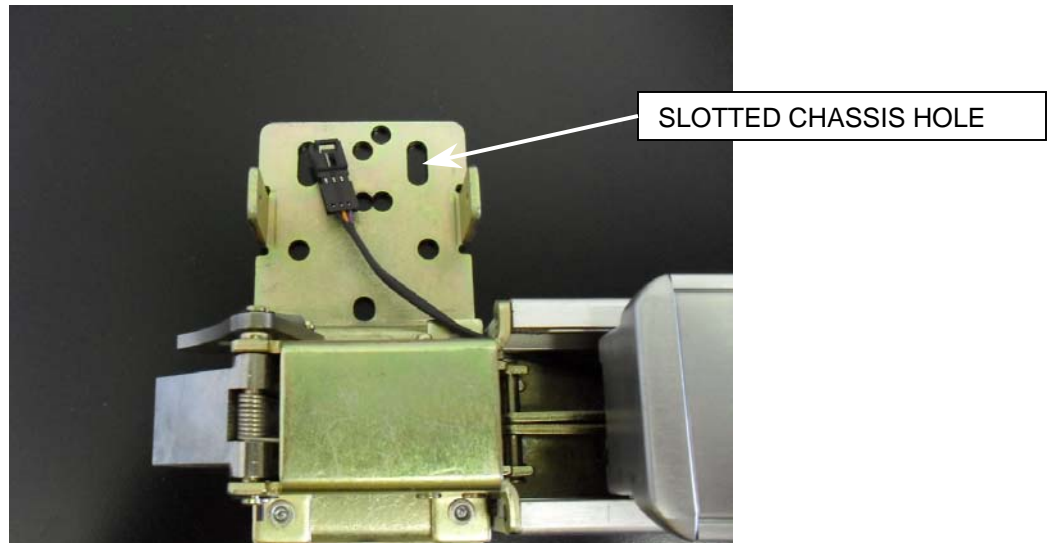
- AFTER CABLE ASSEMBLY HAS BEEN ROUTED ON THE SIDE OF THE PUSH BAR, RE-INSTALL THE DEVICE BODY AND SECURE WITH THE 2 SCREWS.



## **CABLE ROUTING**

### **RIM DEVICE**

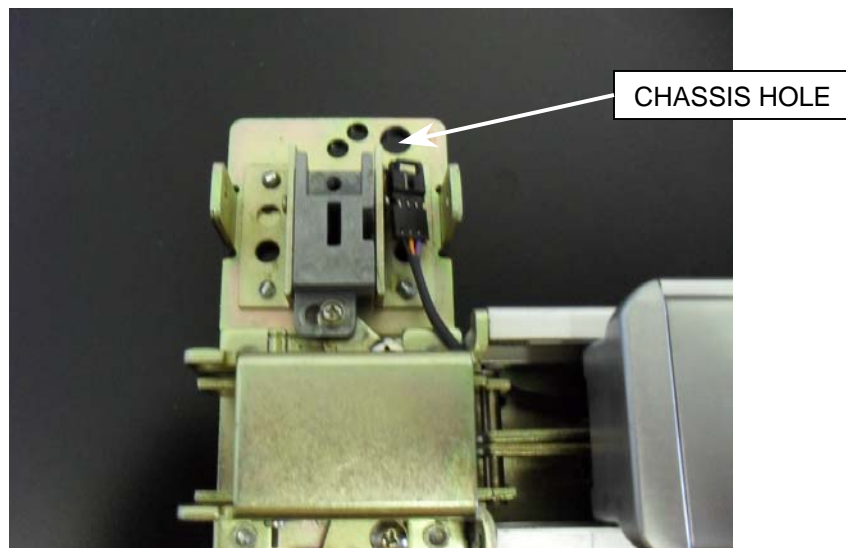
- FEED THE CONNECTOR ON THE TRIM CONTROL THROUGH THE .500 DIAMETER PREP HOLE OF DOOR AND THROUGH THE SLOTTED HOLE IN RIM DEVICE CHASSIS.



- CONNECT THE CABLE ASSEMBLY TO THE CONNECTOR ON THE TRIM AND FINISH MOUNTING THE DEVICES PER THE MANUFACTURERS INSTRUCTIONS.

### **VERTICAL ROD DEVICE**

- FEED THE CONNECTOR ON THE TRIM CONTROL THROUGH THE .500 DIAMETER PREP HOLE OF DOOR AND THROUGH THE HOLE IN VERTICAL ROD CHASSIS.

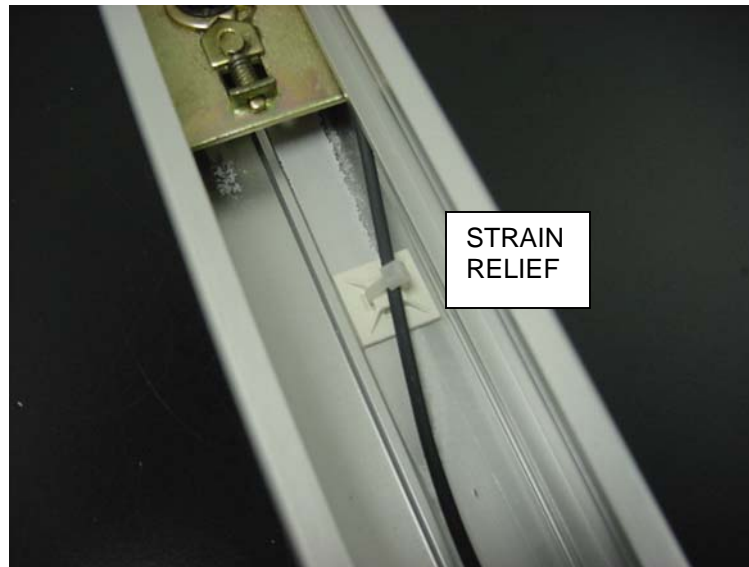


- CONNECT THE CABLE ASSEMBLY TO THE CONNECTOR ON THE TRIM AND FINISH MOUNTING THE DEVICES PER THE MANUFACTURERS INSTRUCTIONS.

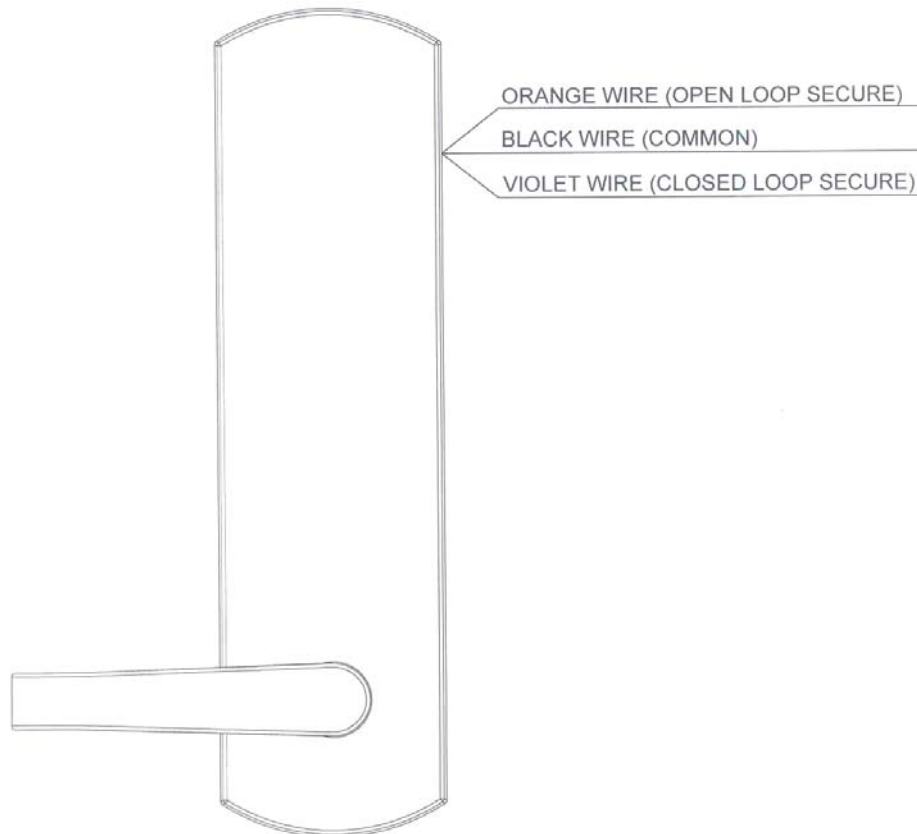


## WIRE STRAIN RELIEF

- AFTER THE EXIT DEVICE AND TRIM IS MOUNTED, SECURE THE WIRES IN THE BACK OF EXIT DEVICE BODY WITH THE SELF ADHESIVE TY-WRAP MOUNT AND TY-WRAP.



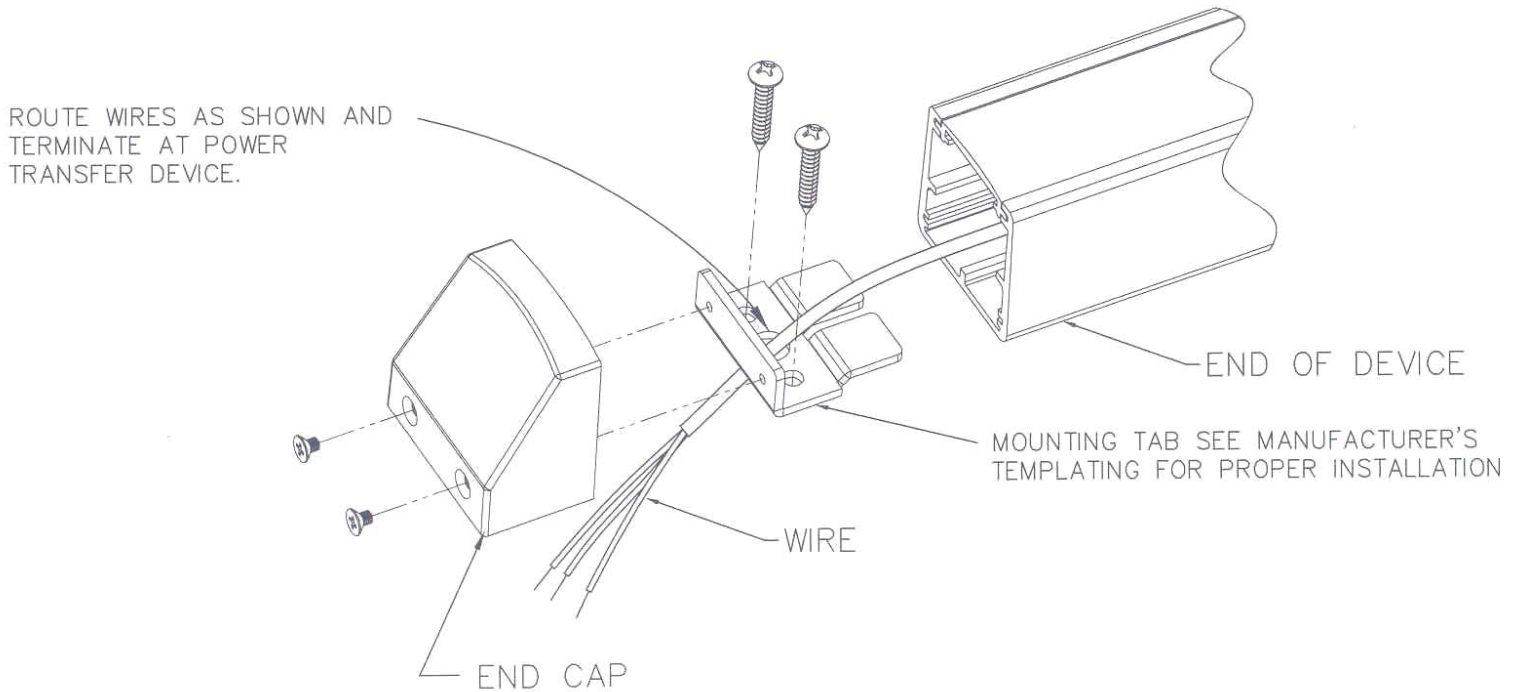
## WIRING DIAGRAM



## WIRING TERMINATION

- TERMINATE WIRE CONNECTIONS WITH APPROPRIATE CRIMP SPLICES OR WIRE NUTS.

**NOTE:** IT IS HELPFUL TO STAGGER TERMINATIONS. THIS ALLOWS FOR EASY INSERTION OF WIRES THROUGH PREP HOLES.



10666 GATEWAY BLVD., ST. LOUIS, MO 63132 (800) 753-5558

REV. 9/10