

## II – E1500-18

### INSTALLATION INSTRUCTIONS FOR MODEL 1560 AND 1570 ELECTRIC TRIM CONTROL

FOR USE WITH HAGER 45CE LEVER TRIM ON RIM AND VERTICAL ROD  
EXIT DEVICES



### FUNCTION DESCRIPTION

#### **1560 – FAIL SAFE (POWER LOCK)**

- LEVER IS LOCKED WHEN POWER IS APPLIED.
- WHEN POWER IS REMOVED ALLOWS ENTRY BY LEVER HANDLE.
- EXIT DEVICE ALWAYS ALLOWS FREE EGRESS.
- OUTSIDE KEY CYLINDER MOMENTARILY OVERRIDES LOCKING CONTROL.

#### **1570 – FAIL SECURE (POWER UNLOCK)**

- LEVER IS LOCKED WHEN POWER IS REMOVED.
- WHEN POWER IS APPLIED ALLOWS ENTRY BY LEVER HANDLE.
- EXIT DEVICE ALWAYS ALLOWS FREE EGRESS.
- OUTSIDE KEY CYLINDER MOMENTARILY OVERRIDES LOCKING CONTROL.



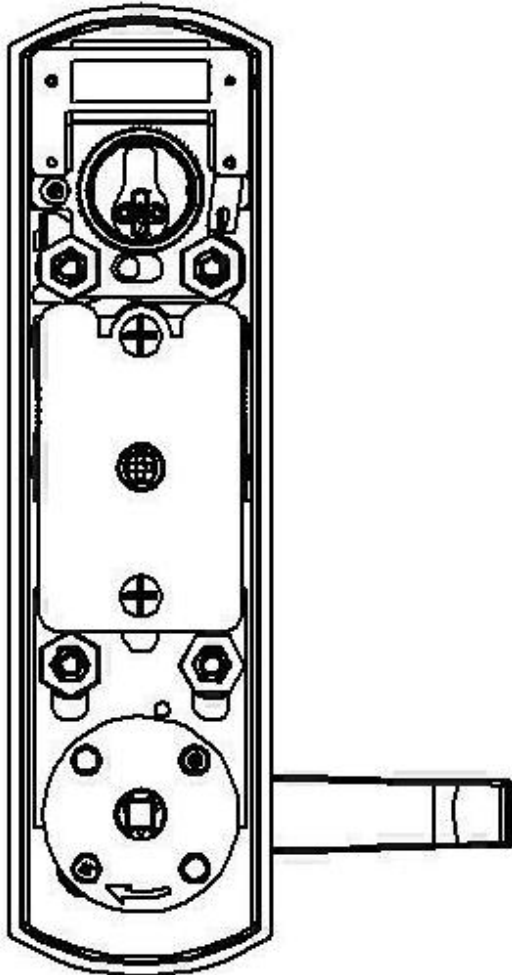
# ELECTRIC TRIM SOLENOID CONTROL RATING

## **POWER REQUIREMENTS**

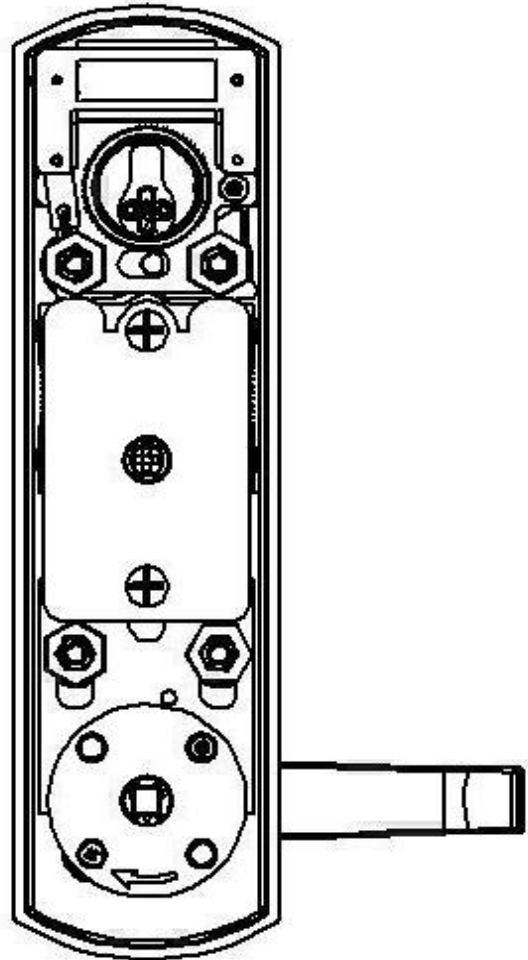
.33 AMP @ 24 VOLTS AC OR DC  $\pm$  10% (CONTINUOUS DUTY)

.61 AMP @ 12 VOLTS AC OR DC  $\pm$  10% (CONTINUOUS DUTY)

1560 FAIL SAFE



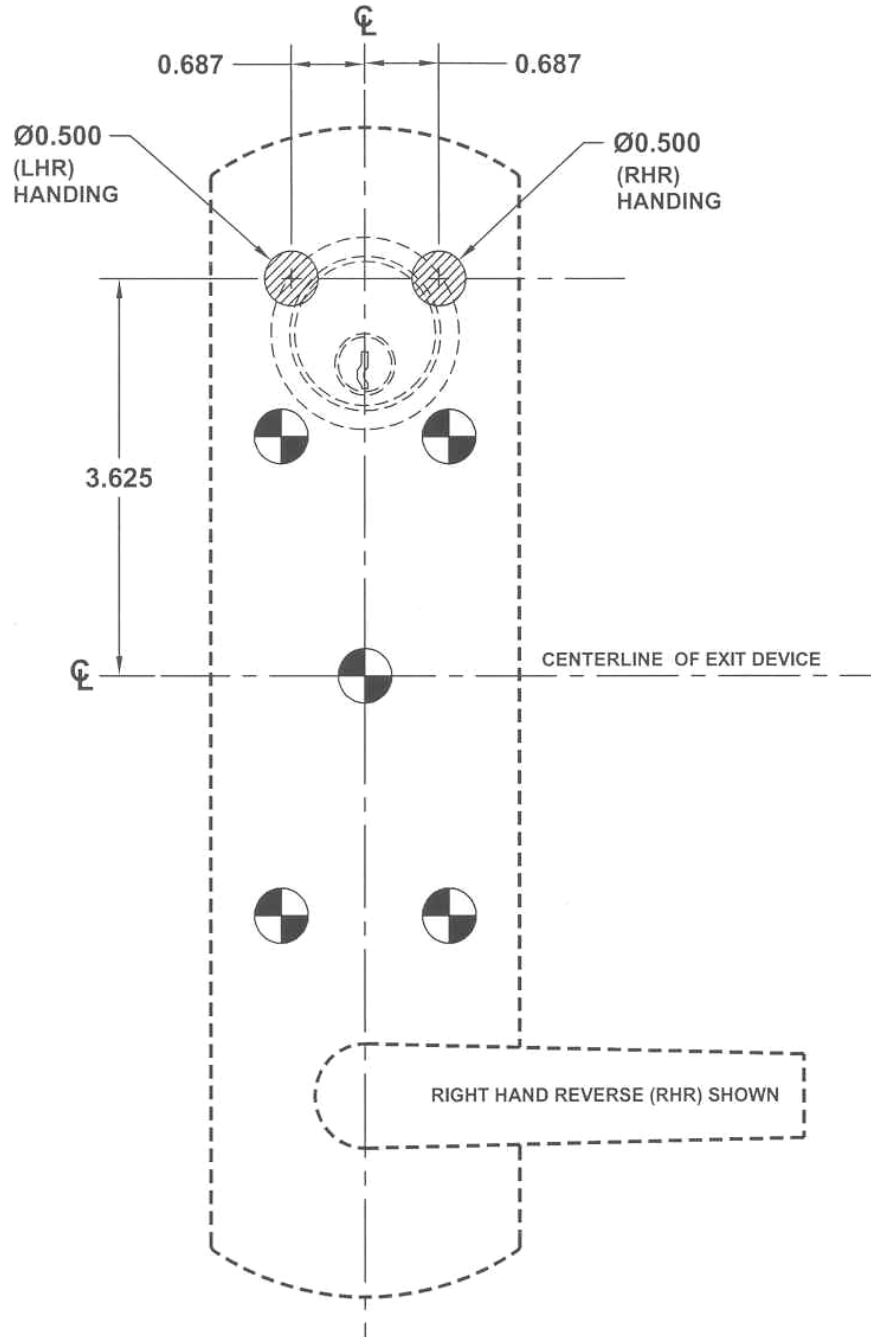
1570 FAIL SECURE



# ELECTRIC TRIM CONTROL DOOR PREPERATION

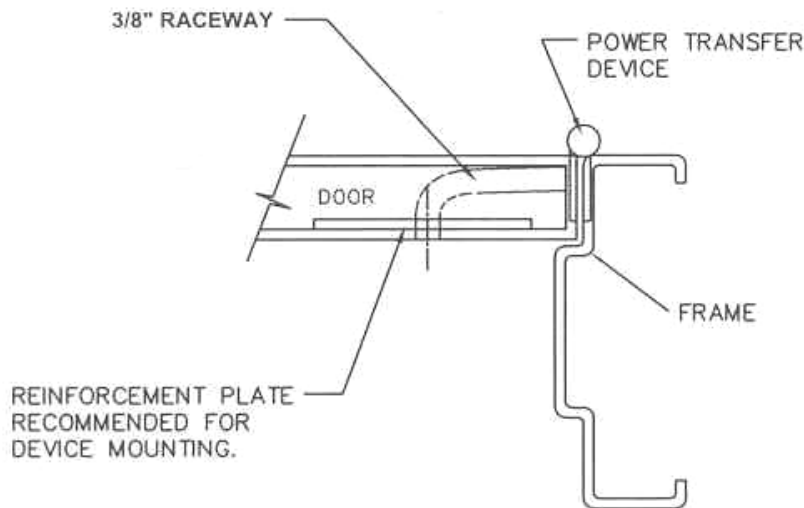
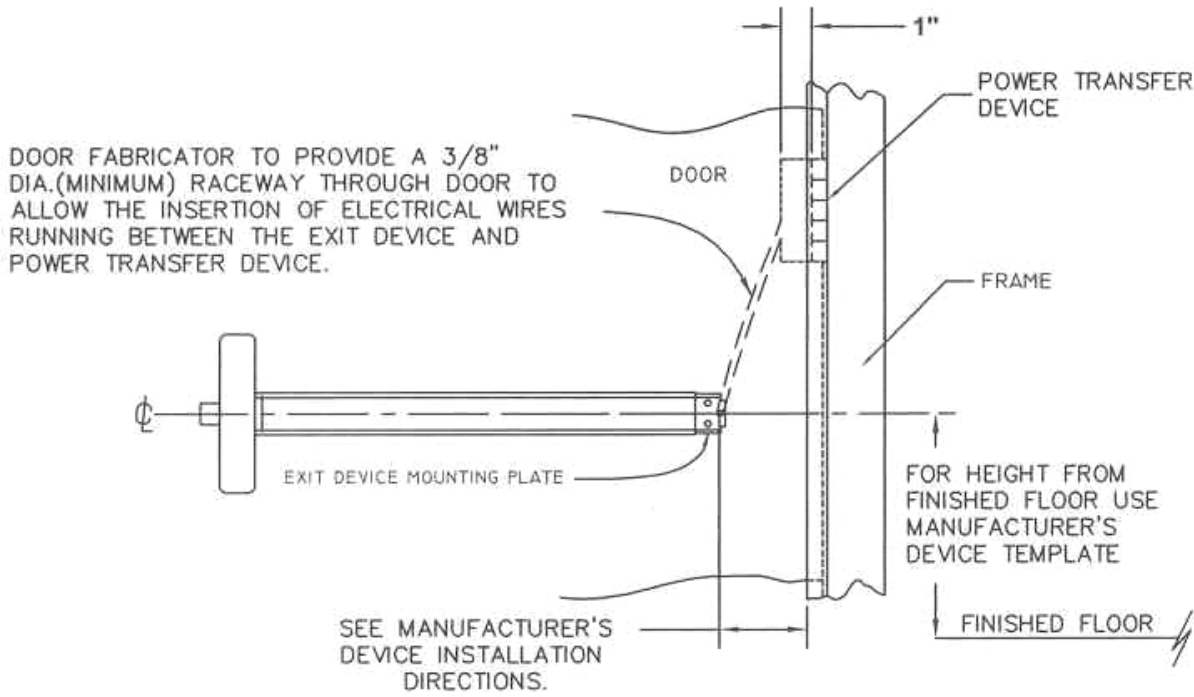
## NOTE: USE MANUFACTURERS INSTRUCTIONS AND TEMPLATES FOR BASIC PREP LOCATIONS IN DOOR

- PROVIDE ADDITIONAL .500 DIAMETER HOLE THROUGH DOOR TO ALLOW FOR WIRE ENTRY FROM ELECTRIC TRIM CONTROL.
- .500 DIAMETER HOLE THROUGH DOOR IS HANDED USE PROPER HOLE AS SHOWN.



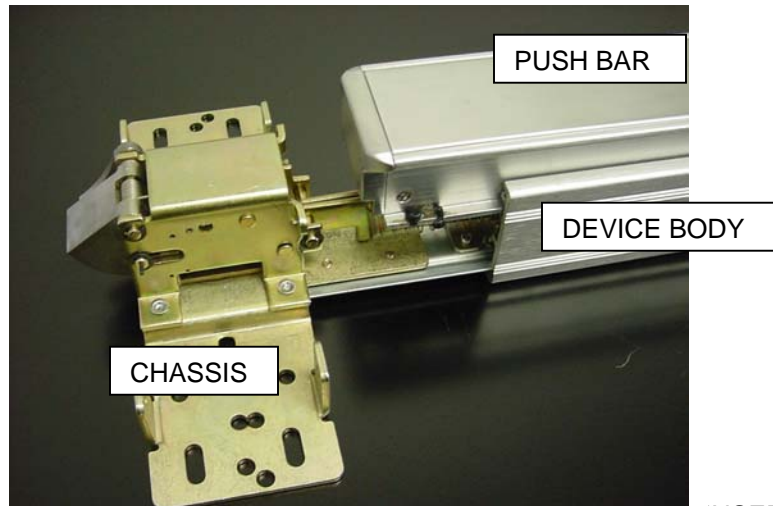
**NOTE: USE MANUFACTURERS INSTRUCTIONS AND TEMPLATES FOR BASIC PREP LOCATIONS IN DOOR**

- PROVIDE 3/8" DIAMETER RACEWAY FOR ELECTRIC TRIM WIRE TERMINATION AT END OF EXIT DEVICE AS SHOWN.

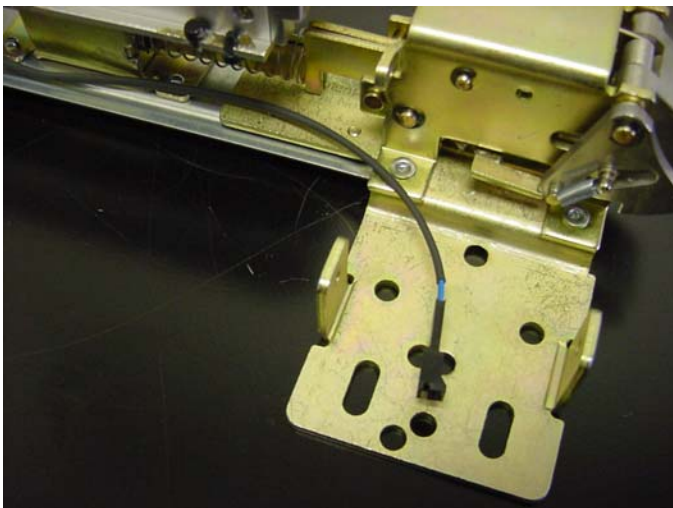


## EXIT DEVICE PREPARATION

- REMOVE 4 SCREWS FROM CHASSIS COVER AND REMOVE.
- SEPARATE CHASSIS/PUSH BAR FROM DEVICE BODY BY REMOVING 2 SCREWS LOCATED ON CHASSIS.



- AFTER CHASSIS/COVER HAS BEEN REMOVED FROM DEVICE BODY, INSERT CABLE ASSEMBLY ALONG THE SIDE OF PUSH BAR. MAKE SURE THAT CONNECTOR END IS LOCATED ON THE CHASSIS SIDE.



- AFTER CABLE ASSEMBLY HAS BEEN ROUTED ON THE SIDE OF THE PUSH BAR, RE-INSTALL THE DEVICE BODY AND SECURE WITH THE 2 SCREWS.



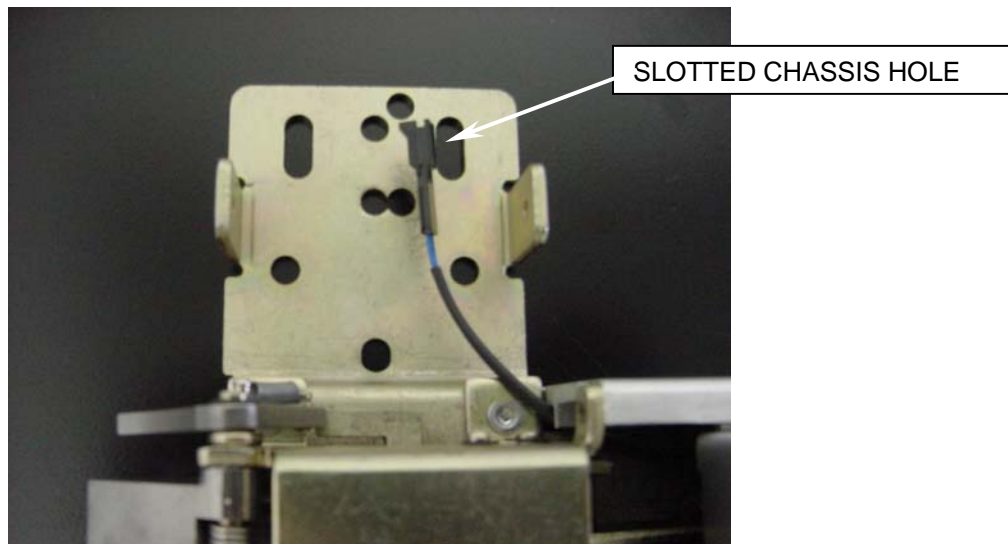
**CABLE ROUTING**

**10666 GATEWAY BLVD., ST. LOUIS, MO 63132 (800) 753-5558**

**REV. 9/08**

## RIM DEVICE

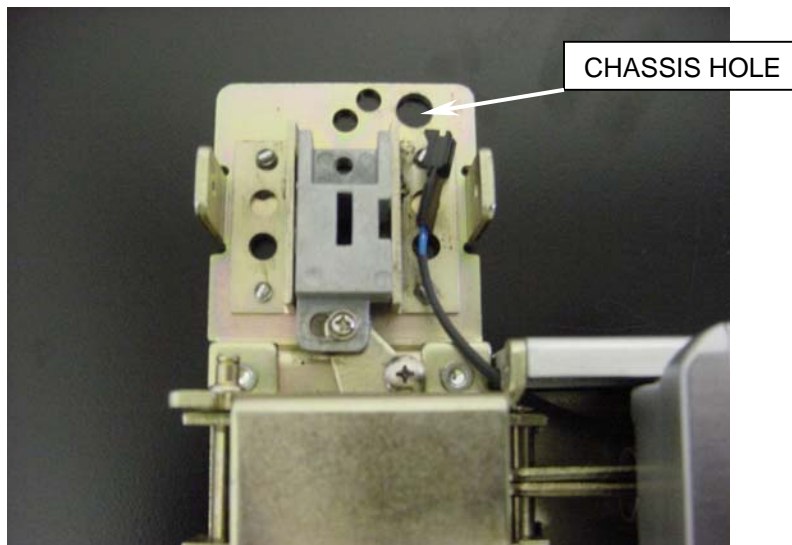
- FEED THE CONNECTOR ON THE TRIM CONTROL THROUGH THE .500 DIAMETER PREP HOLE OF DOOR AND THROUGH THE SLOTTED HOLE IN RIM DEVICE CHASSIS.



- CONNECT THE CABLE ASSEMBLY TO THE CONNECTOR ON THE TRIM AND FINISH MOUNTING THE DEVICES PER THE MANUFACTURERS INSTRUCTIONS.

## VERTICAL ROD DEVICE

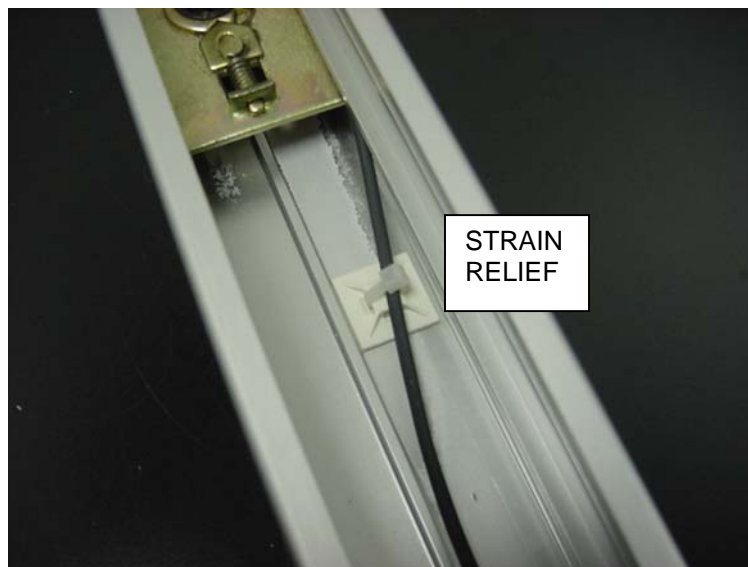
- FEED THE CONNECTOR ON THE TRIM CONTROL THROUGH THE .500 DIAMETER PREP HOLE OF DOOR AND THROUGH THE HOLE IN VERTICAL ROD CHASSIS.



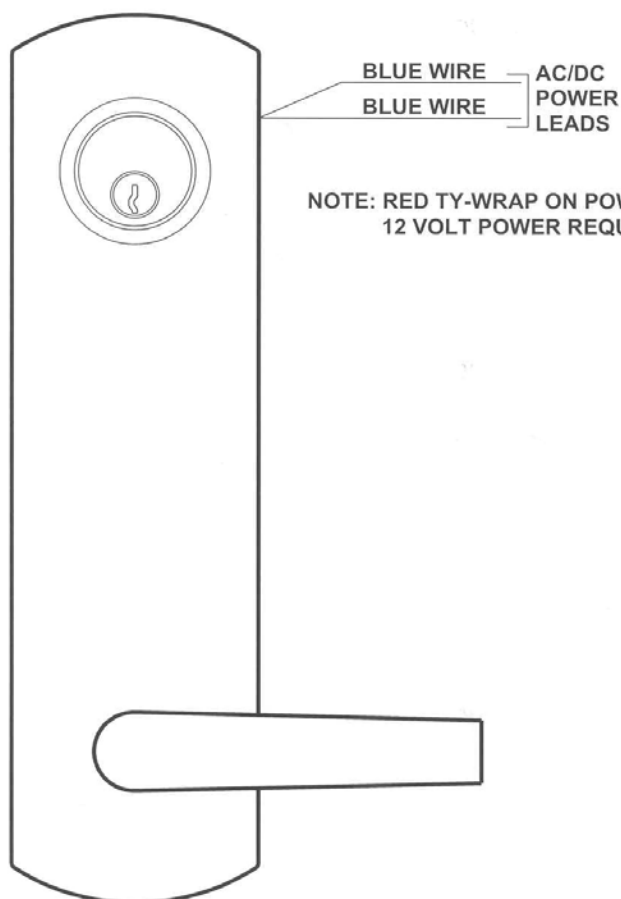
- CONNECT THE CABLE ASSEMBLY TO THE CONNECTOR ON THE TRIM AND FINISH MOUNTING THE DEVICES PER THE MANUFACTURERS INSTRUCTIONS.



- AFTER THE EXIT DEVICE AND TRIM IS MOUNTED, SECURE THE WIRES IN THE BACK OF EXIT DEVICE BODY WITH THE SELF ADHESIVE TY-WRAP MOUNT AND TY-WRAP.

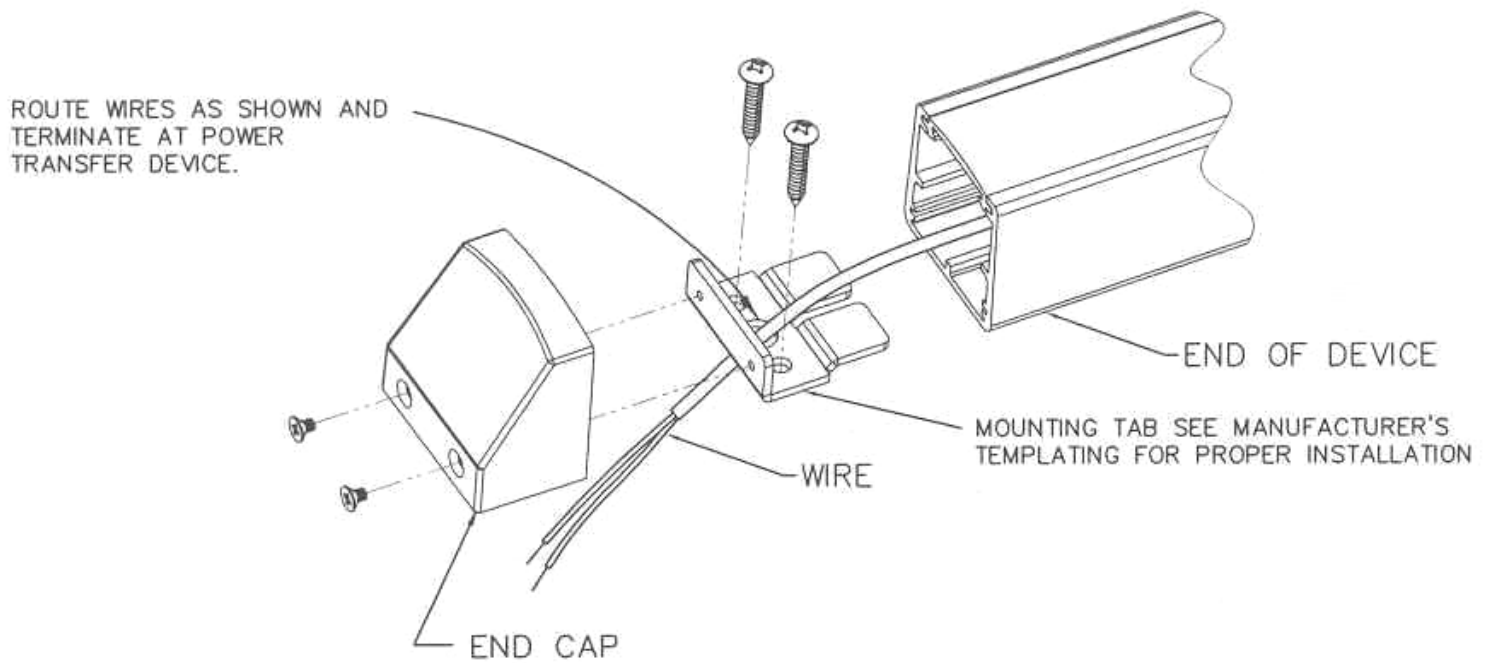


### WIRING DIAGRAM



- TERMINATE WIRE CONNECTIONS WITH APPROPRIATE CRIMP SPLICES OR WIRE NUTS.

NOTE: IT IS HELPFUL TO STAGGER TERMINATIONS. THIS ALLOWS FOR EASY INSERTION OF WIRES THROUGH PREP HOLES.



10666 GATEWAY BLVD., ST. LOUIS, MO 63132 (800) 753-5558

REV. 9/08