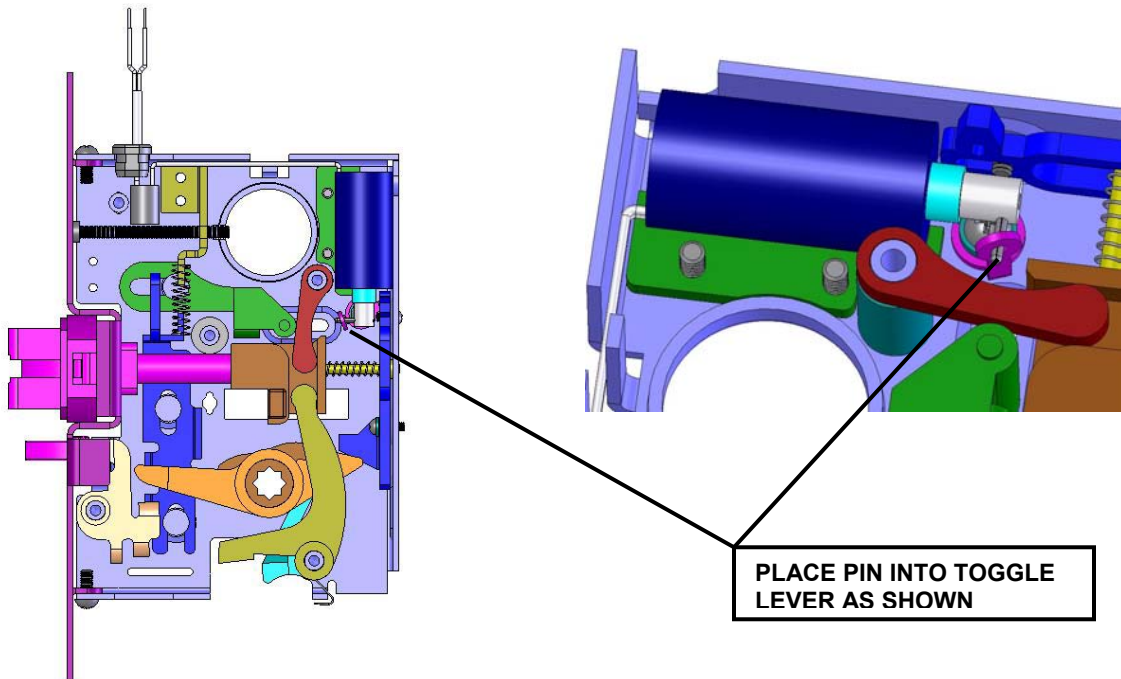


## II – E1500-15

### VON DUPRIN 7500 SERIES ELECTRIC LOCK ME1510/1520C FUNCTION CHANGE INSTRUCTIONS

TO CHANGE THE LOCKING FUNCTION FOLLOW THE INSTRUCTIONS BELOW CAREFULLY.

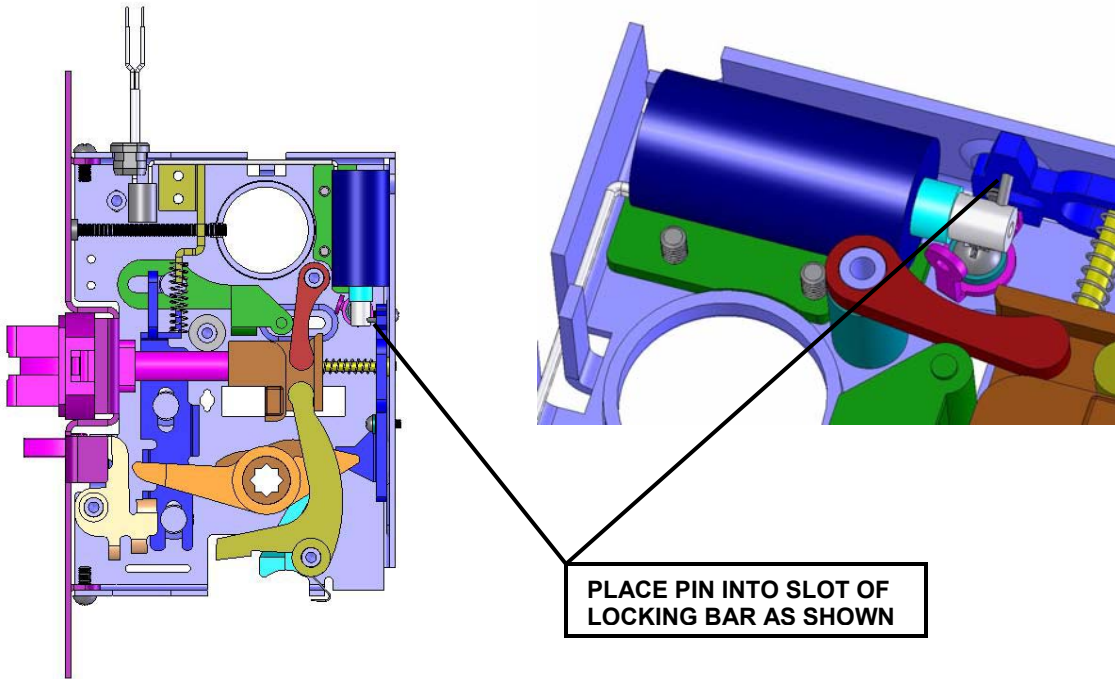
#### ME1510C FAIL SAFE FUNCTION (POWER LOCK)



- REMOVE THE 4 COVER SCREWS AND THE COVER.
- LIFT SOLENOID AND PLUNGER UP ENOUGH TO ROTATE THE PIN INTO THE HOLE OF THE TOGGLE LEVER AS SHOWN ABOVE.
- MAKE SURE THAT SOLENOID IS POSITIONED BACK INTO HOLDER.
- REPLACE COVER AND SCREWS.



## ME1520C FAIL SECURE FUNCTION (POWER UNLOCK)



- REMOVE THE 4 COVER SCREWS AND THE COVER.
- LIFT SOLENOID AND PLUNGER UP ENOUGH TO ROTATE THE PIN INTO THE SLOT OF THE LOCKING BAR AS SHOWN ABOVE.
- MAKE SURE THAT SOLENOID IS POSITIONED BACK INTO HOLDER.
- REPLACE COVER AND SCREWS.

## ELECTRICAL SPECIFICATION

NOTE: ALL SOLENOIDS ARE CONTINUOUS DUTY TYPE. KEEP OPERATING VOLTAGE AT +/- 10% OF RATED VOLTAGE.

VOLTAGE	AMP
12 VAC/DC	.612 A
12 VDC	.612 A
24 VAC/DC	.330 A
24 VDC	.330 A

