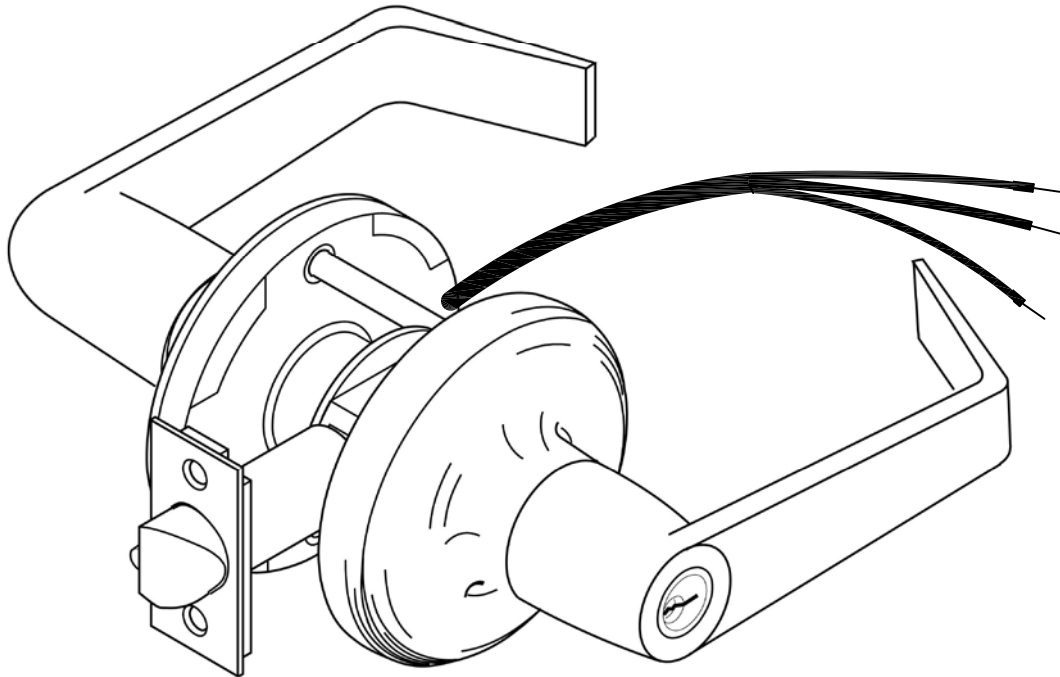


II-C1500-7

INSTALLATION INSTRUCTIONS

YALE 5400LN SERIES

CYLINDRICAL AE (AUTHORIZED EGRESS) MONITORING.



TERMINATE THE WIRES FROM LOCK TO THE ELECTRIC POWER TRANSFER DEVICE USING 22 AWG WIRE. USE PROPER CRIMP SPLICES OR WIRE NUTS FOR TERMINATING CONNECTIONS.

3 - WIRE AE MODIFICATION UTILIZES A UL RECOGNIZED SPDT SWITCH PROVIDING A CHOICE OF:

- NORMALLY CLOSED OPERATION USE THE YELLOW (COM.) & GRAY WIRES
- NORMALLY OPEN OPERATION USE THE YELLOW (COM.) & RED WIRES

ELECTRICAL SPECIFICATIONS

- 125 VAC @ 3 AMP MAXIMUM
- 30 VDC @ 2 AMP MAXIMUM
- WIRE LEADS: 22 AWG

